

Part TTFA
Adapter X
Tank Truck Flange
Made in U.S.A.

ALUMINUM				BRASS			DUCTILE IRON			HARD COAT ALUMINUM			STAINLESS STEEL		
Size	Item	Part	Price	Item	Part	Price	Item	Part	Price	Item	Part	Price	Item	Part	Price
3	60563000	TTF30A	\$27.55	62563000	TTF30A	\$49.39	68563000	TTF30A	\$50.17	70563000	TTF30A	\$42.05	64563000	TTF30A	\$162.67
3x4	60563040	*TTF30x40A	\$36.64	62563040	*TTF30x40A	☎	68563040	*TTF30x40A	☎	70563040	*TTF30x40A	☎	64563040	*TTF30x40A	☎
4	60564000	TTF40A	\$29.73	62564000	TTF40A	\$108.16	68564000	TTF40A	☎	70564000	TTF40A	☎	64564000	TTF40A	\$257.81
6	60566000	TTF60A	\$80.57	62566000	TTF60A	☎	68566000	TTF60A	☎	70566000	TTF60A	☎	64566000	TTF60A	\$407.83

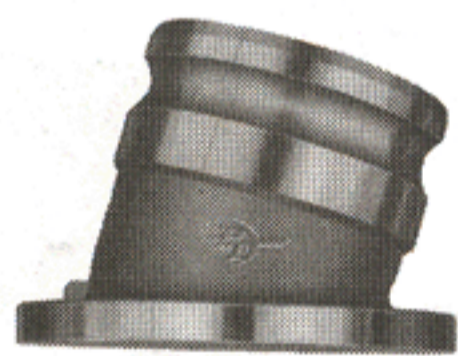
*Adapter X Flange



Part TTFC
Coupler X
Tank Truck Flange
Made in U.S.A.

ALUMINUM				BRASS			DUCTILE IRON			HARD COAT ALUMINUM			STAINLESS STEEL		
Size	Item	Part	Price	Item	Part	Price	Item	Part	Price	Item	Part	Price	Item	Part	Price
3	60583000	TTF30C	\$37.53	62583000	TTF30C	☎	68583000	TTF30C	☎	70583000	TTF30C	\$60.59	64583000	TTF30C	\$209.54
4	60584000	TTF40C	\$43.88	62584000	TTF40C	☎	68584000	TTF40C	☎	70584000	TTF40C	☎	64584000	TTF40C	\$298.44
6	60586000	TTF60C	\$115.39	62586000	TTF60C	☎	68586000	TTF60C	☎	70586000	TTF60C	☎	64586000	TTF60C	\$621.86

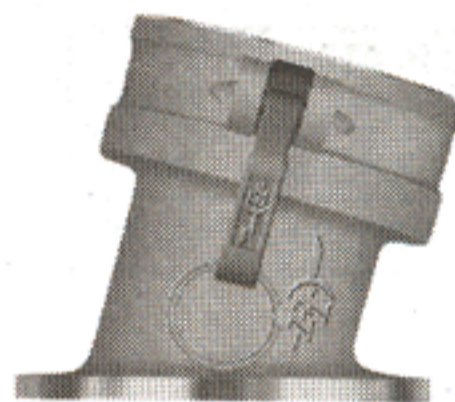
*Adapter X Flange



Part TTF40A-15
Adapter X Tank Truck
Flange 15°
Made in U.S.A.

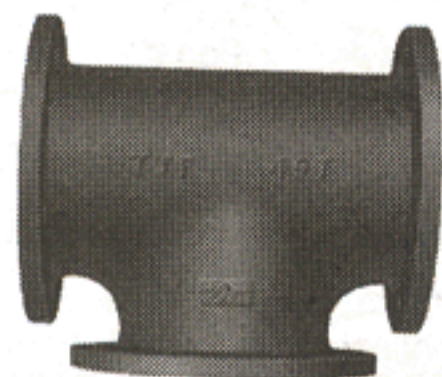
ALUMINUM				HARD COAT ALUMINUM		
Size	Item#	Part#	Price	Item #	Part #	Price
4	6056400015	TTF40A-15	\$48.36	7056400015	TTF40A-15	☎

All Couplers Available with STA-LOK® Cam Arms
Also available as STA-LOK®



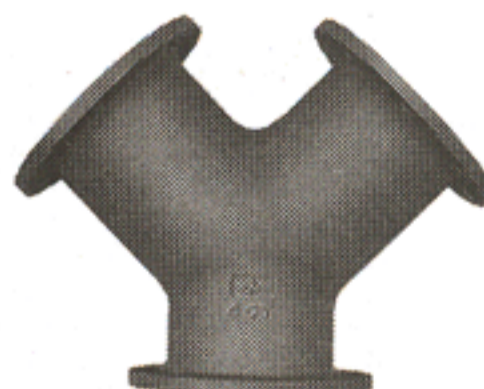
Part TTF40C-15
Coupler X Tank Truck
Flange 15°
Made in U.S.A.

ALUMINUM				HARD COAT ALUMINUM		
Size	Item#	Part#	Price	Item #	Part #	Price
4	6058400015	TTF40C-15	\$66.88	7058400015	TTF40C15A	



TTF40T
Tank Truck Flange Tee
Made in U.S.A.

ALUMINUM				HARD COAT ALUMINUM		
Size	Item#	Part#	Price	Item #	Part #	Price
4	60574000	TTF40T	\$110.50	70574000	TTF40T	☎

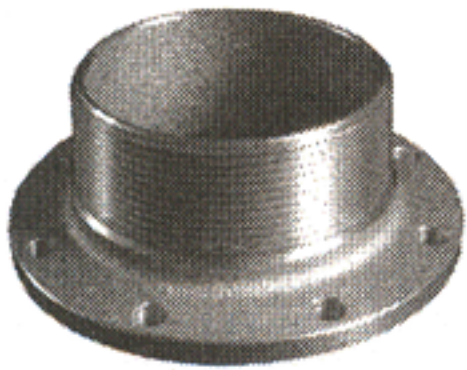


TTF40Y
Tank Truck Flange Wye
Made in U.S.A.

ALUMINUM				HARD COAT ALUMINUM		
Size	Item#	Part#	Price	Item #	Part #	Price
4	60594000	TTF40Y	\$118.14	70594000C	TTF40Y	☎



Petroleum Handling Tank Truck Flanges



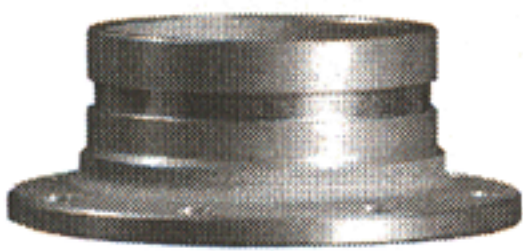
TTFNPTM
TTMA Flange X Male NPT
Made in U.S.A.

ALUMINUM			
Size	Item #	Part #	Price
3"	60513000	TTF30NPTM	\$15.69
4"	60514000	TTF40NPTM	\$25.02



TTFNPTF
TTMA Flange X Female NPT
Made in U.S.A.

ALUMINUM			
Size	Item #	Part #	Price
3"	60553000	TTF30NPTF	\$19.11
4"	60554000	TTF40NPTF	\$37.20



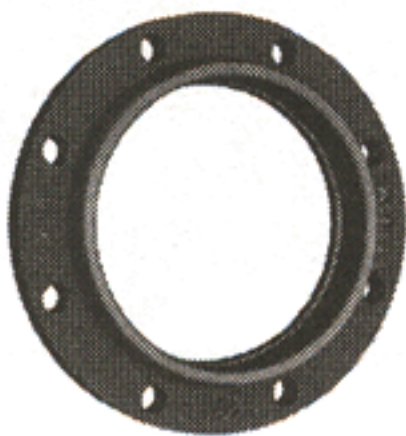
TTFVG
TTMA Flange X Single Groove
Made in U.S.A.

ALUMINUM			
Size	Item #	Part #	Price
3"	60513000VG	TTF30VG	\$22.01
4"	60514000VG	TTF40VG	\$39.20



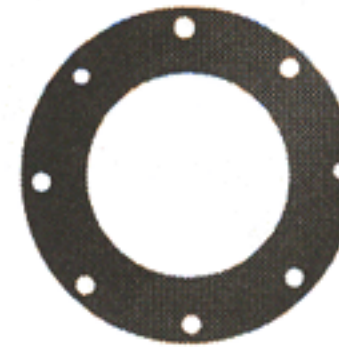
TTFWB
TTMA Flange X Butt Weld
for Schd 40 Pipe
Made in U.S.A.

ALUMINUM			
Size	Item #	Part #	Price
3"	60513000WB	TTF30WB	\$22.01
4"	60604024	TTF40WB	\$39.20



TTF40WF
TTMA Flange X Socket Weld
for Pipe
Made in U.S.A.

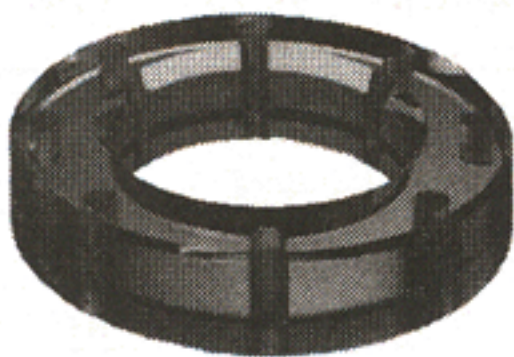
ALUMINUM			
Size	Item #	Part #	Price
4"	60564000WF	TTF40WF	\$31.51



Tank Truck Flange Gasket
Made in U.S.A.

Item#	Description	Price
5503841TTF	Neoprene 4"	\$1.38
5503840TTF	Cork/Buna 4"	\$.95
5503830TTF	Cork/Buna 3"	\$.68

All tank truck flanges meet TTMA specifications.
Bulk Pricing available on all TTMA Flange Gaskets



Part TTF40SG
Acrylic Sight Glass
Made in U.S.A.

ACRYLIC			
Size	Item #	Part #	Price
3"	86005630	TTF30SG	\$53.00
4"	86005640	TTF40SG	\$55.00

All tank truck flanges meet TTMA specifications.



Part TTF40WS
Sight Glass
Tank Truck Flange
Made in U.S.A.

ALUMINUM				HARD COAT ALUMINUM		
Size	Item#	Part#	Price	Item #	Part #	Price
4	60584400	TTF40WS	\$65.00	70584400	TTF40WS	\$65.00

TTF40WS
Replacement Parts
SIGHT GLASS KIT contains acrylic sight glass and all elastomer components
Made in U.S.A.

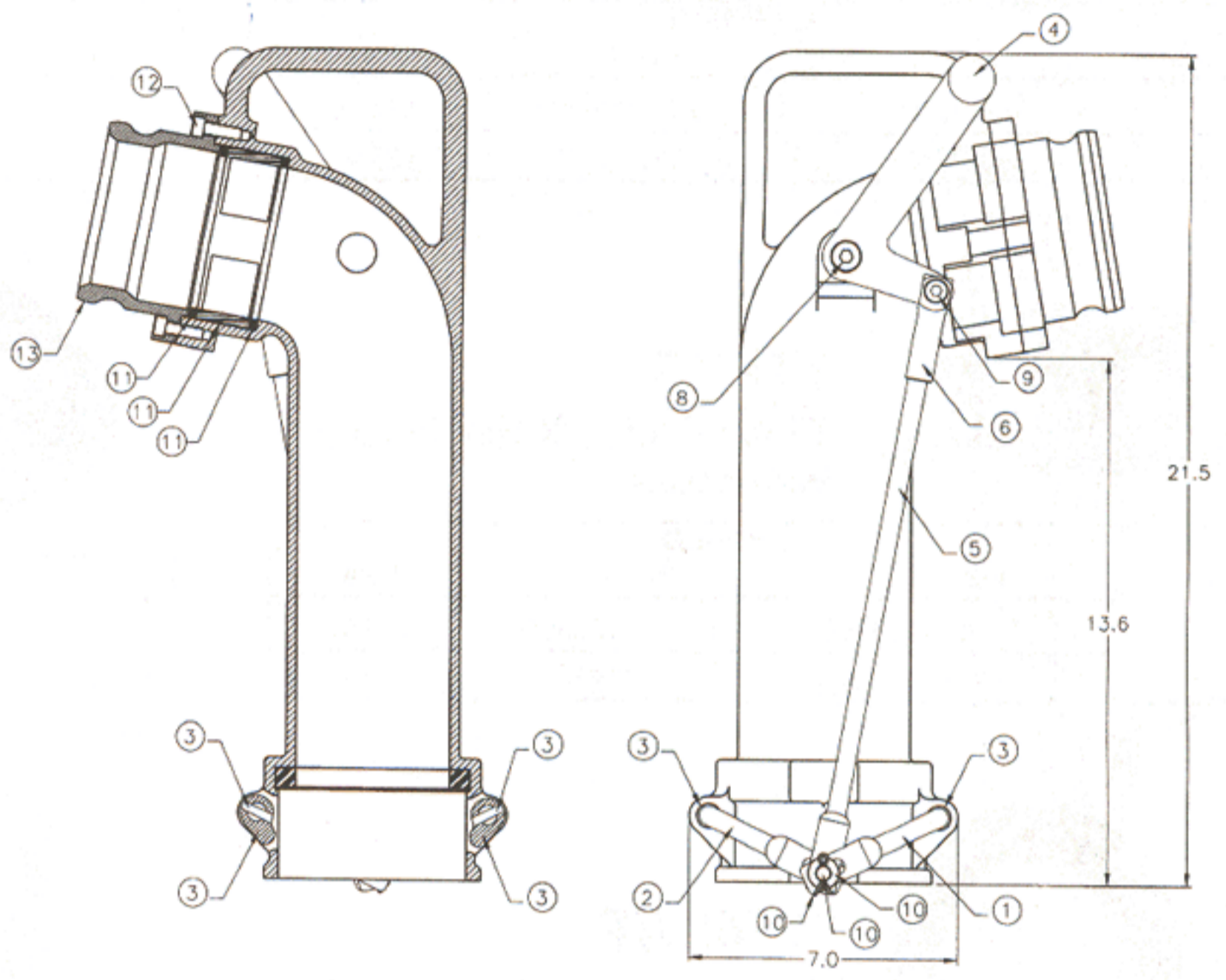
SEAL KIT			SIGHT GLASS KIT		
Item#	Part#	Price	Item #	Part #	Price
60584408	TTF40WS-8	\$2.00	60584410	TTF40WS-1	\$29.14



UTF40
Individual Parts List



PART UTF40
Tight Fill Elbow
Made in U.S.A.



Item #	Ref #	DESCRIPTION	PRICE
86004100		Tight Fill Assem. w/4" Adapter	\$241.50
86004200		Tight Fill Assembly Short	\$241.50
86004101	1	Cam Arm - Right	\$ 11.13
86004102	2	Cam Arm - Left	\$ 11.13
86004120	3	Cam Assembly Kit	\$ 7.27
86004104	4	Actuation Lever	\$ 16.38
86004124	5	Connecting Link Kit	\$ 25.94
86004125		Short Connecting Link Kit	\$ 22.60
86004106	6	Rod End	\$ 6.91
86004002		Coupling Gasket	\$ 2.84
86004108	8	Lever Bolt	\$ 2.32
86004109	9	Rod End Bolt	\$ 1.17
86004121	10	Connecting Link Pin Kit	\$ 2.60
86004123	11	Sight Glass Kit	\$ 12.85
86004122	12	Capscrew Kit	\$ 2.12
86004014	13	TF40AF Adapter	\$ 32.60

Dimensions	A	B	C	Weight
UTF40	21.5	13.6	7.0	12.22 lbs
UTF40 Short	18.0	10.1	7.0	10.9 lbs

COMPLETE ASSEMBLY			
Item #	Ref #	DESCRIPTION	PRICE
86004130A	18	Tight Fill Assy. w/ 3" Adapter	\$241.50
86004140C	18	Tight Fill Assy. w/ 4" Coupler	\$266.49
86004130C	18	Tight Fill Assy. w/ 3" Coupler	\$269.22
86004140T	18	Tight Fill Assy. w/ 4" Female NPT	\$248.90
86004130T	18	Tight Fill Assy. w/ 3" Female NPT	\$248.90

OPTIONAL PARTS			
Item #	Ref #	DESCRIPTION	PRICE
86133040	18	TF30X40AF 3" Adapter	\$32.60
86384000	18	TF40CF 4" Coupler	\$57.29
86383040	18	TF30X40CF 3" Coupler	\$60.32
86394000	18	TF40TF 4" Female NPT	\$40.00
86393040T	18	TF30X40TF 3" Female NPT	\$40.00
86004301		Anti-Spill Tube	\$28.18

Optional parts may be substituted or added.
Contact your PT Sales Representative for price and availability.

UVR300

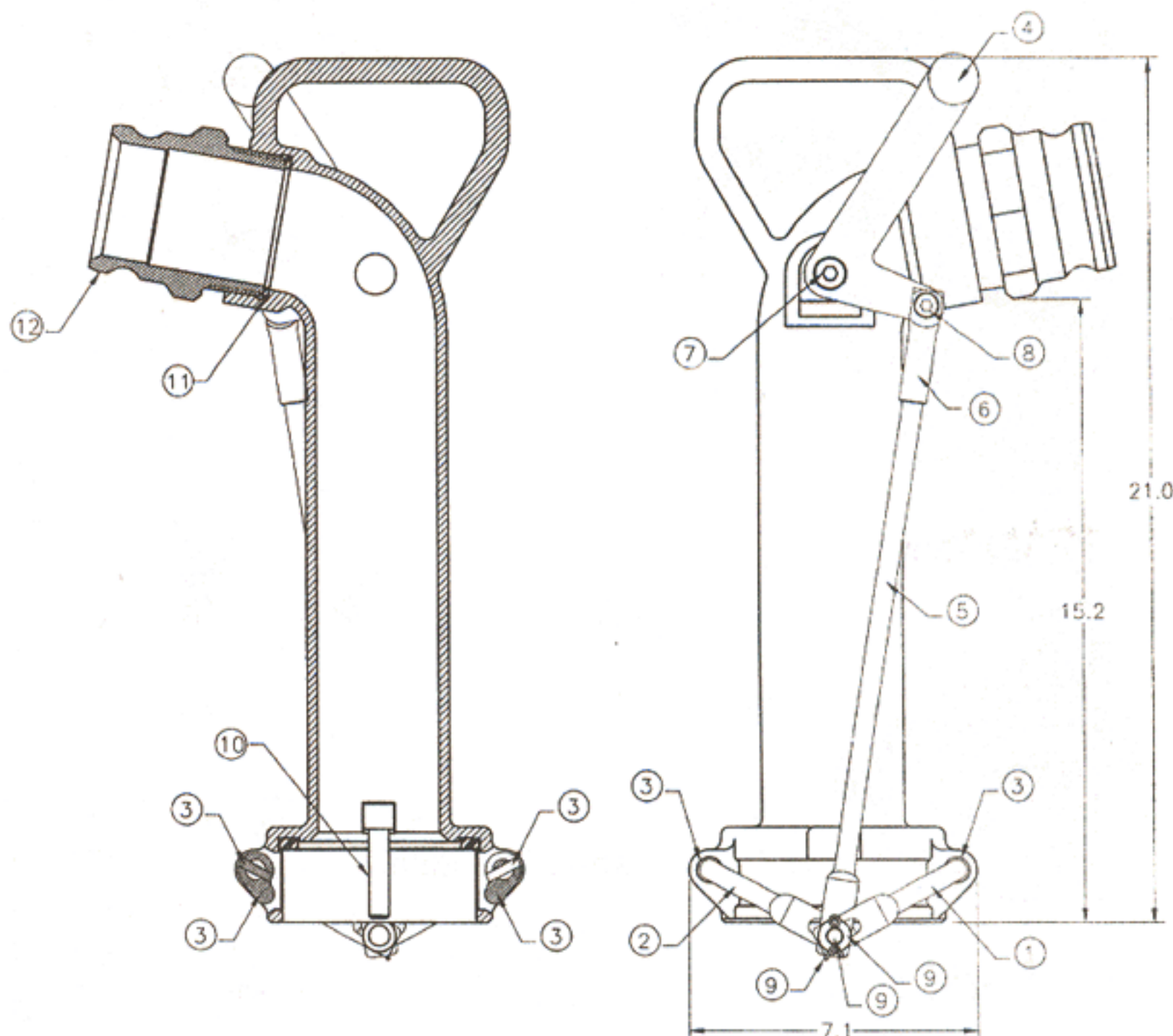
Individual Parts List



PART UVR300

Vapor Elbow
Made in U.S.A.

30F Alum Adapter Included

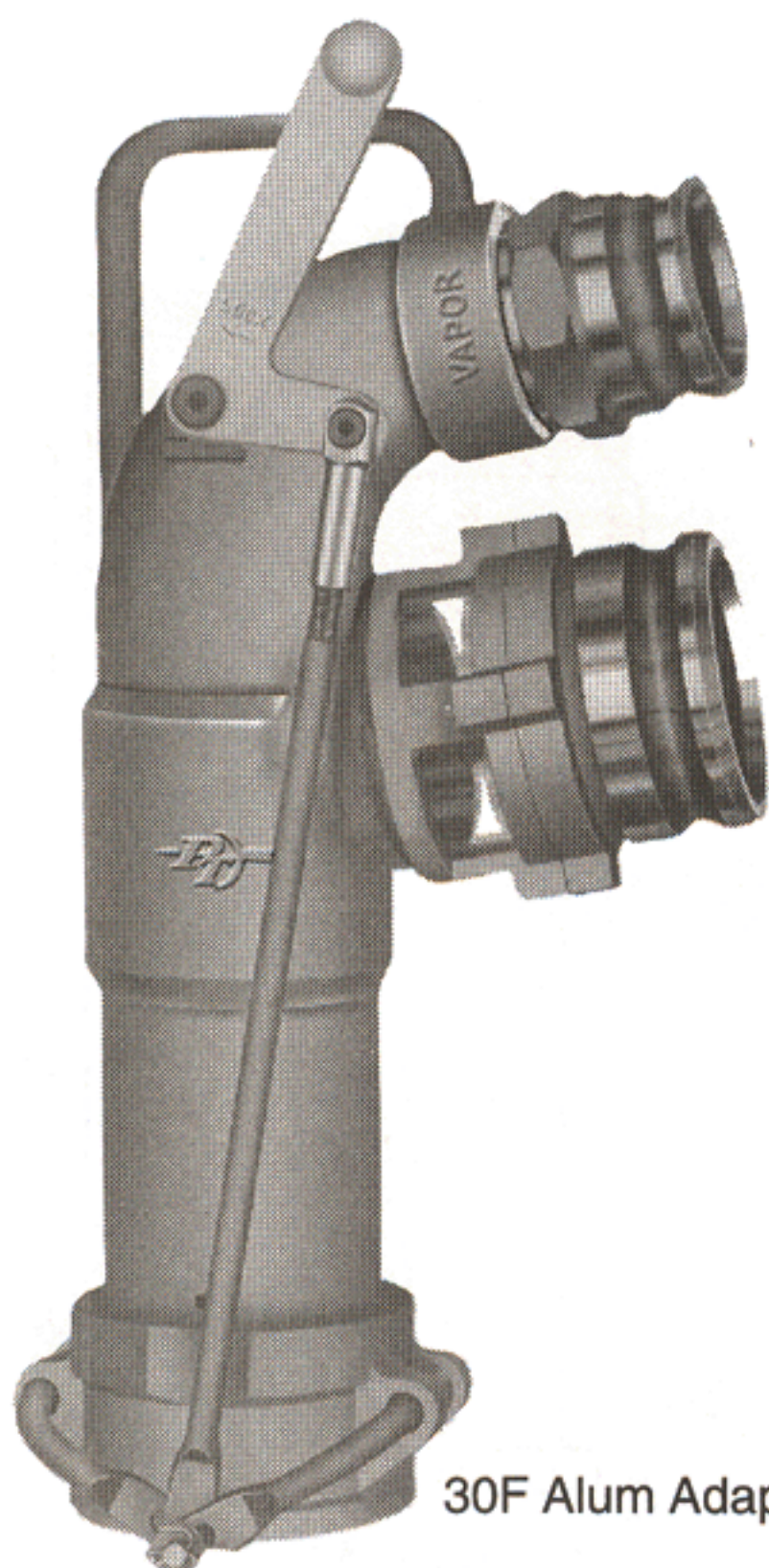


Dimensions	A	B	C	Weight
UVR300	21.5	15.1	7.0	9.7 lbs
UVR300S	17.5	11.6	7.0	8.7 lbs

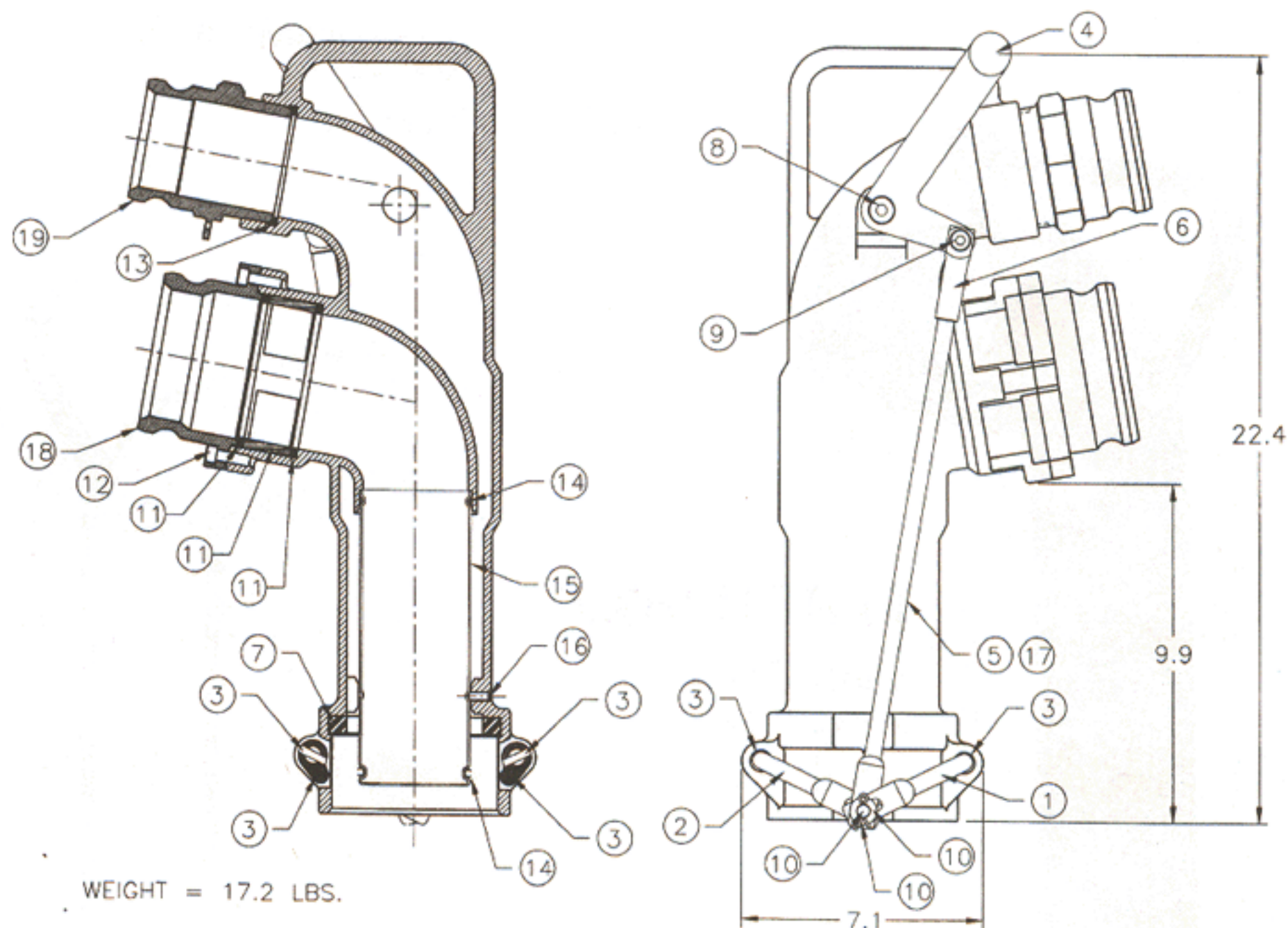
OPTIONAL PARTS			
Item #	Ref #	Description	Price
1000630 30F	17	30F Aluminum	\$15.34
60164030	17	40X30 4" Adapter	\$46.28

Optional parts may be substituted or added.
Contact your PT Sales Representative for price and availability.

Item #	Ref #	Description	Price
86003100		Vapor Elbow Assembly	\$239.25
86003200		Vapor Elbow Assembly Short	\$239.25
86004101	1	Cam Arm - Right	\$ 11.13
86004102	2	Cam Arm - Left	\$ 11.13
86004120	3	Cam Assembly Kit	\$ 7.27
86004104	4	Actuation Lever	\$ 16.38
86004124	5	Connecting Link Kit	\$ 25.94
86004125		Short Connecting Link Kit	\$ 22.60
86004106	6	Rod End	\$ 6.91
86004108	7	Lever Bolt	\$ 2.32
86004109	8	Rod End Bolt	\$ 1.17
86004121	9	Connecting Link Pin Kit	\$ 2.60
87224030-2	10	Push Rod	\$ 7.92
5504230	11	B30ASY Gasket	\$ 0.68
1000630	12	30F Alum Adapter	\$ 15.34



30F Alum Adapter Included



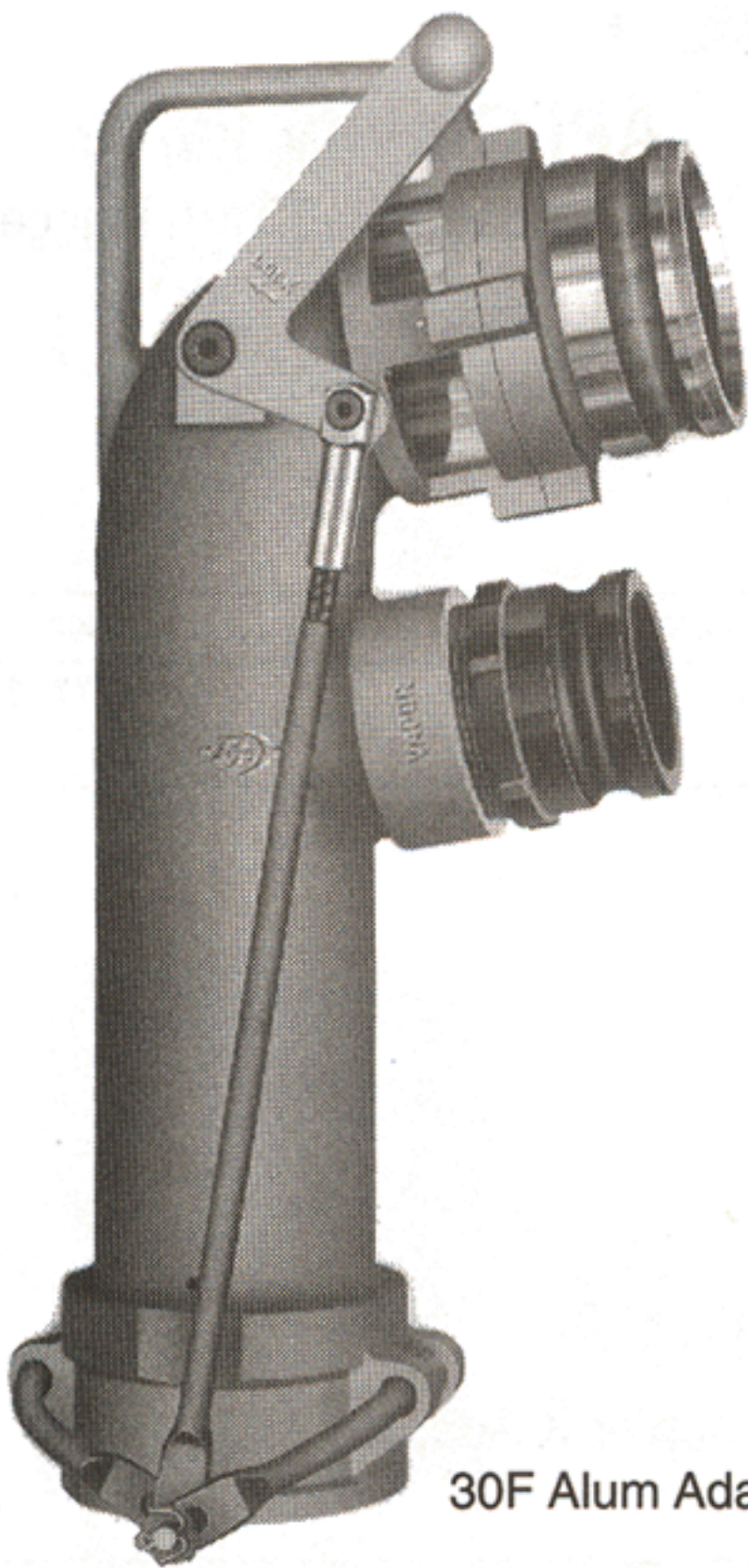
WEIGHT = 17.2 LBS.

PART VR400A

Coaxial Delivery Elbow - Vapor on Top
Product on Bottom

Made in U.S.A.

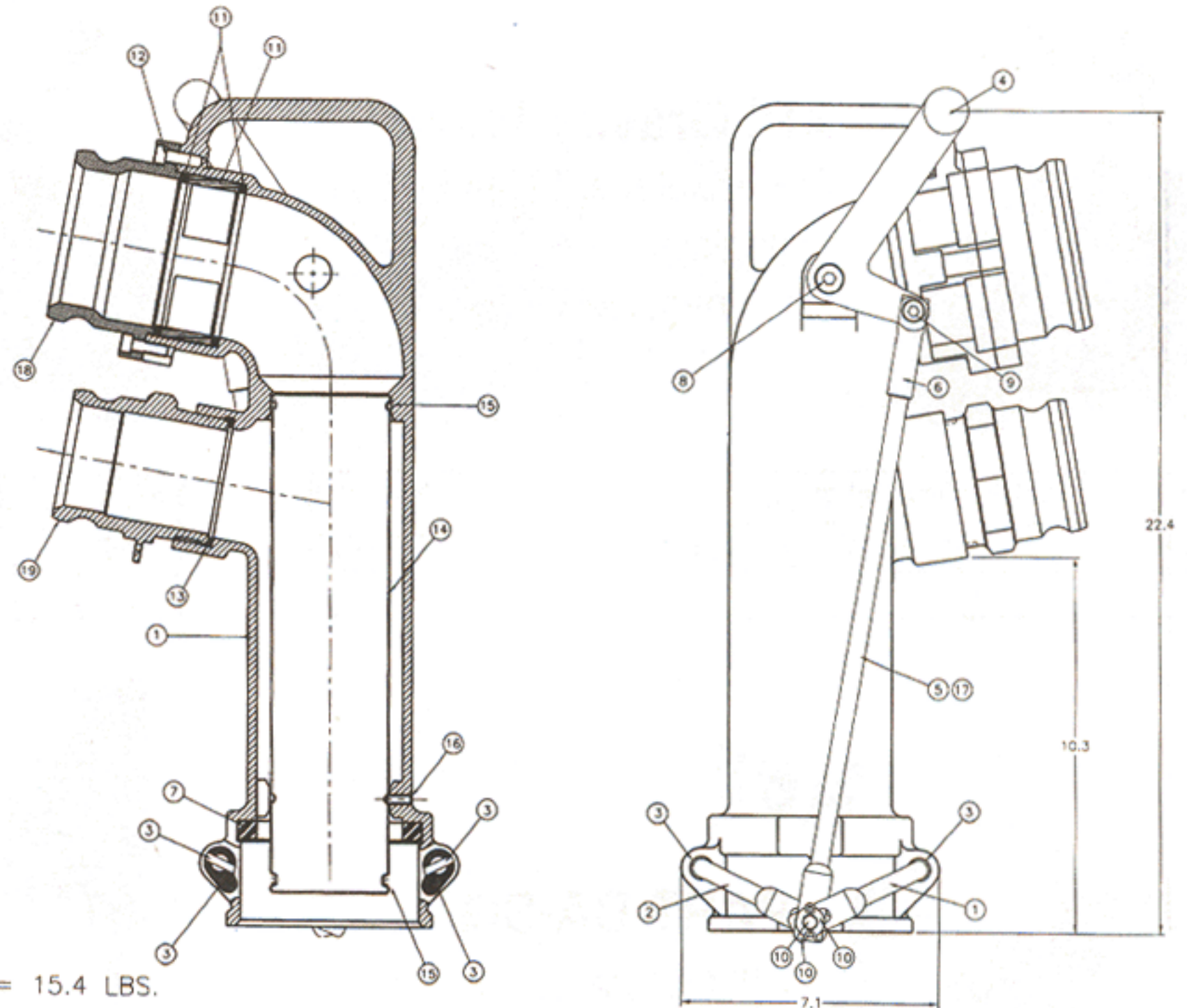
Item #	Ref #	Description	Price
88000400		VR400A with 4" adapter	\$ 446.62
86004101	1	Cam Arm - Right	\$ 11.13
86004102	2	Cam Arm - Left	\$ 11.13
86004120	3	Cam Assembly Kit	\$ 7.27
86004104	4	Actuation Lever	\$ 16.38
86004124	5	Connecting Link Kit	\$ 25.94
86004106	6	Rod End	\$ 6.91
86004002	7	Coupler Gasket	\$ 2.84
86004108	8	Lever Bolt	\$ 2.32
86004109	9	Rod End Bolt	\$ 1.17
86004121	10	Connecting Link Pin Kit	\$ 2.60
86004123	11	Sight Glass Kit	\$ 12.85
86004122	12	Capscrew Kit	\$ 2.12
5504230	13	B30ASY Gasket	\$ 0.68
88000420	14	VR400A Tube Seal Kit	\$ 7.58
88000406	15	VR400 A Tube	\$ 36.64
88000424	16	Set Screw	\$ 0.95
88004003	17	UVR Connecting Link	\$ 15.40
88004014	18	TF40AF Adapter	\$ 32.60
1000630	19	30F Alum Adapter	\$ 15.34



30F Alum Adapter Included

PART UVR400

Coaxial Delivery Elbow - Product on Top
Vapor on Bottom
Made in U.S.A.

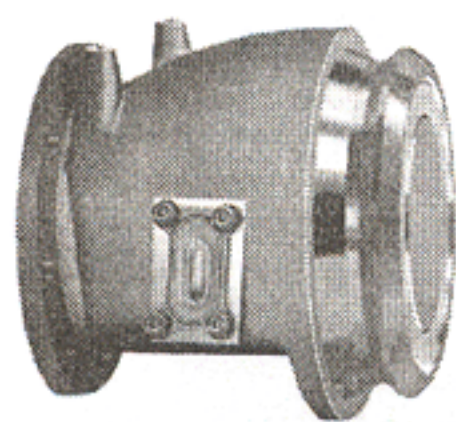


WEIGHT = 15.4 LBS.

Item #	Ref #	Description	Price
88004000		UVR400 with 4" adapter	\$ 420.00
88004040C		UVR400 with 4" coupler	\$ 444.99
88004030A		UVR400 with 3" adapter	☎
88004030C		UVR400 with 3" coupler	☎
86004101	1	Cam Arm - Right	\$ 11.13
86004102	2	Cam Arm - Left	\$ 11.13
86004120	3	Cam Assembly Kit	\$ 7.27
86004104	4	Actuation Lever	\$ 16.38
86004124	5	Connecting Link Kit	\$ 25.94
86004106	6	Rod End	\$ 6.91
86004002	7	Coupler Gasket	\$ 2.84
86004108	8	Lever Bolt	\$ 2.32
86004109	9	Rod End Bolt	\$ 1.17
86004121	10	Connecting Link Pin Kit	\$ 2.60
86004123	11	Sight Glass	\$ 12.85
86004122	12	Capscrew	\$ 2.12
5504230	13	B30Asy. Gasket	\$ 0.68
88004002	14	UVR400 Tube	\$ 31.80
88000420	15	UVR400 Tube Seal Kit	\$ 7.58
88000424	16	Set Screw	\$ 0.95
88004003	17	UVR Connecting Link	\$ 15.40
86004014	18	T40AF Adapter	\$ 32.60
1000630	19	30F Alum Adapter	\$ 15.34



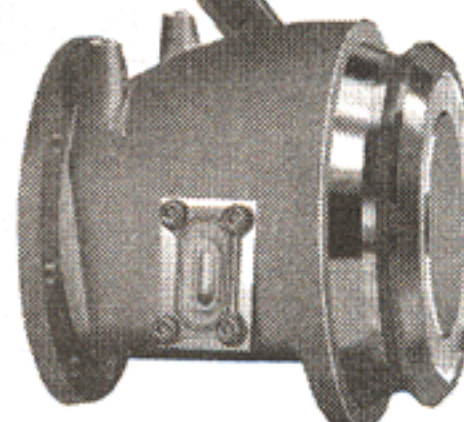
New



API Gravity Valve
API Adapter X TTMA Flange
Sightglass
Non-openable Valve
Made in U.S.A.

Item #	Part #	Description	Price
89004500		Gravity Valve Non Openable	\$176.00

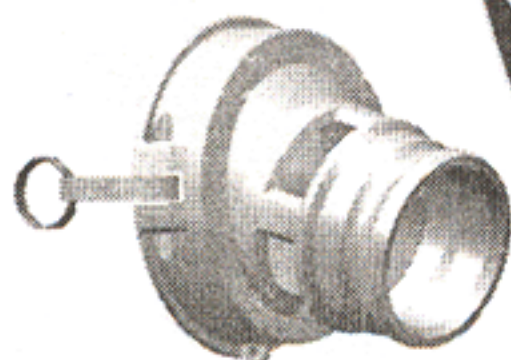
New



API Gravity Valve
API Adapter X TTMA Flange
Sightglass
Openable Valve
Made in U.S.A.

Item #	Part #	Description	Price
89004400		Gravity Valve Assembly	\$277.32

New



PART DA-SG
API Coupler X Adapter
Made in U.S.A.

Item #	Part #	Description	Adapter Size	Price
3603330	DA-3SG	Drop Adapter w/Sight Glass	3"	\$67.50
3603340	DA-4SG	Drop Adapter w/Sight Glass	4"	\$82.80
3603330L2	DA-3SG	Sta-Lok II Drop Adapter Assy.	3"	\$84.50
3604440L2	DA-4SG	Sta-Lok II Drop Adapter Assy.	4"	\$99.50



PART DA
API Coupler X Adapter
Made in U.S.A.

Item #	Part #	Description	Adapter Size	Price
3603300	DA-3	Drop Adapter	3"	\$52.75
3604400	DA-4	Drop Adapter	4"	\$70.00
3603300L2	DA-3	Sta-Lok II Drop Adapter Assy.	3"	\$69.75
3604400L2	DA-4	Sta-Lok II Drop Adapter Assy.	4"	\$87.00



PART DC
API Coupler X Coupler
Made in U.S.A.

Item #	Part #	Description	Coupler Size	Price
3703300	DC-3	Drop Coupler	3"	\$116.43
3704400	DC-4	Drop Coupler	4"	\$125.95
3703300L2	DC-3	Sta-Lok II Drop Coupler	3"	\$151.43
3704400L2	DC-4	Sta-Lok II Drop Coupler	4"	\$160.95

Drop couplers with STA-LOK II will have locking cams on both the API coupler and standard coupler.

New



PART GV4440
API Dust Cap
Made in U.S.A.

Item #	Part #	Description	Price
89004440	GV4440	API Dust Cap	\$39.90
89004440L2	GV4440	STA-LOK II API Dust Cap	\$56.90
		Roller Cam Assembly	\$17.00

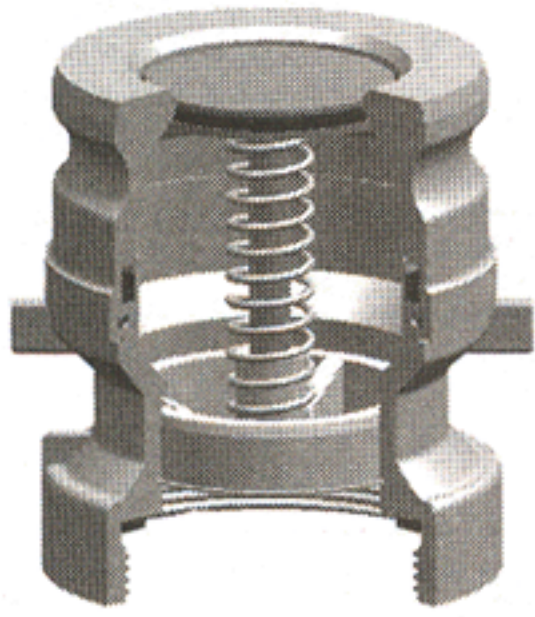
API Coupler Gaskets

Replacement Gaskets / Fuel Resistant Buna

Item #	Part #	Description	Price
3604430	DA4-3	Gasket	\$3.73
3604480	DA4-17	Chains	\$1.25



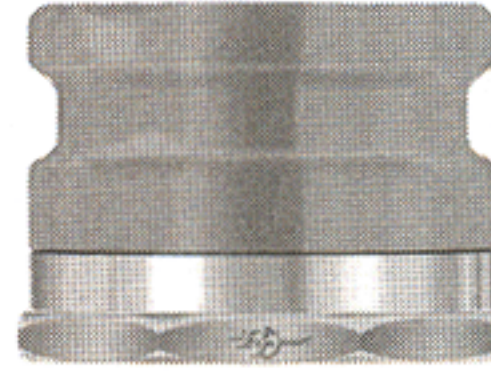
New



VR40A Swivel
Vapor Recovery Adapter Swivel
4" Poppet Adapter X
4" NPSH Straight Thread
Made in U.S.A.

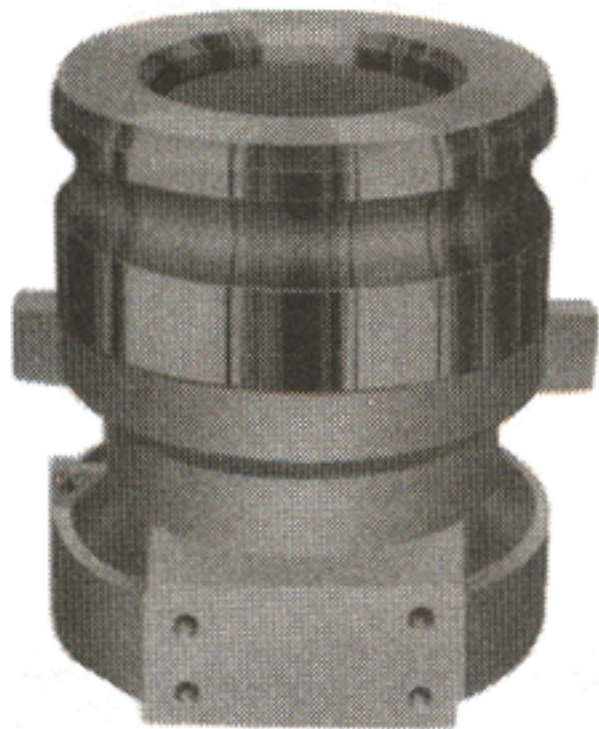
ALUMINUM		
Item#	Part#	Price
89004240	VR40 ASV	\$138.23

New



Part TF40A Swivel
Tank Adapter Swivel X
4" NPSH Straight Thread
Made in U.S.A.

ALUMINUM/BRASS		
Item	Part#	Price
86304000	TF40ASV	\$132.81



VR40A
Vapor Recovery Adapter
4" Poppet Adapter X
4" NPSH Straight Thread
Made in U.S.A.

ALUMINUM		
Item#	Part#	Price
89004140	VR40A	\$71.40



TF40AS
Tank Fill Adapter X 4" Female
Straight Thread NPSH

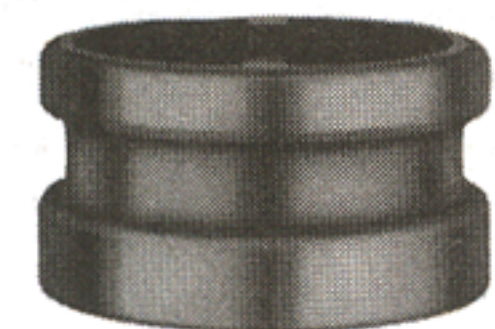
TF40A
Tank Adapter X 4" Female NPT
Made in U.S.A.

ALUMINUM			BRASS		
Item#	Part#	Price	Item #	Part #	Price
86344000A	TF40AS	\$33.08	86294000	TF40AS	\$34.23
	TF40A	☎	86144000	TF40A	\$32.81



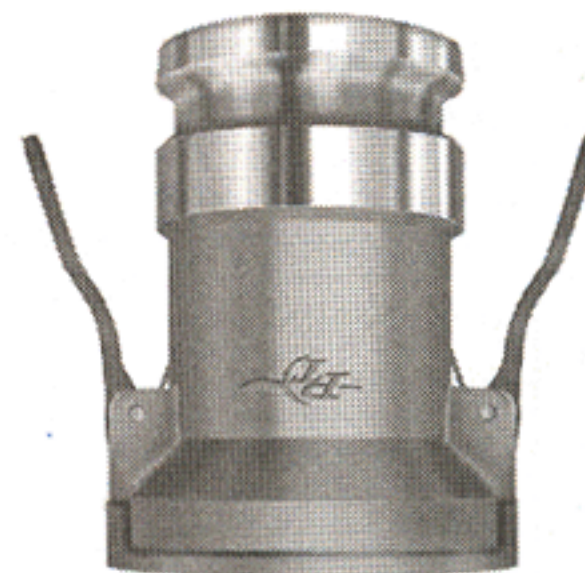
Part TF40LC
Tank Adapter Locking Cap
Made in U.S.A.

Size	ALUMINUM			BRASS		
	Item#	Part#	Price	Item #	Part #	Price
4	86524000	TF40LC	\$27.67	86534000	TF40LC	\$41.90



Part TF40SAS
Tank Adapter X
4" NPSH Straight Thread
Made in U.S.A.

BRASS		
Item	Part#	Price
86344000B	TF40SAS	\$31.71
8634400SP	TF40SAS w/o Internal Lug	☎



40x40 SSA
Side Seal Coupler
X Top Seal Tank Adapter
Made in U.S.A.

Item #	Part #	Price
86354040	40x40SSA Side Seal Adapter	\$139.80



PART CSP X CSP

Pushrod Style Couplings
Made in U.S.A.

Size	Item #	ALUMINUM Part #	Price
4	87104040	40CSPX40CSP	\$89.50
4x3	87274130	40CSPx30CSP	\$91.51

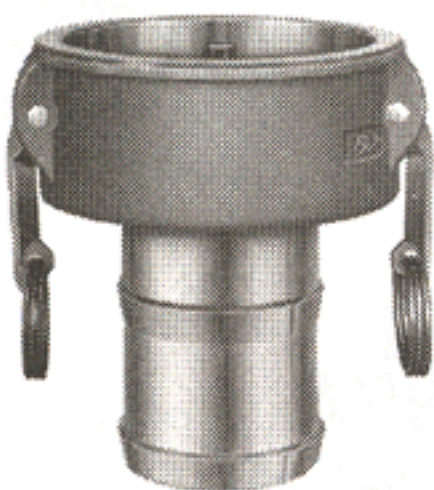


CXASP

Coupler with Pushrod X
Adapter
Made in U.S.A.

Size	Item#	ALUMINUM Part#	Price
*4x3	87264030SP	40CX30ASP	\$58.28
4	87264040SP	40CX40ASP	\$69.24

*Coupler x Adapter



CSP

Coupler with Pushrod X
Shank
Made in U.S.A.

Size	Item#	ALUMINUM Part#	Price
4x2	87104020	40X20CSP	\$58.28
4x3	87104030	40X30CSP	\$69.24
4	87104000	40CSP	\$55.00
	87224030-2	Pushrod	\$6.32