

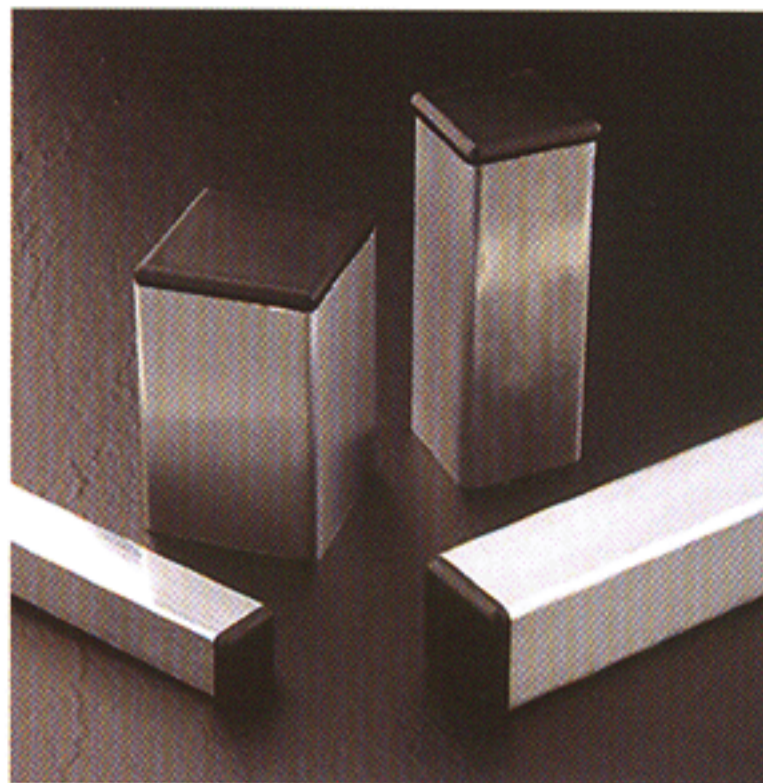


PLUGS non-threaded

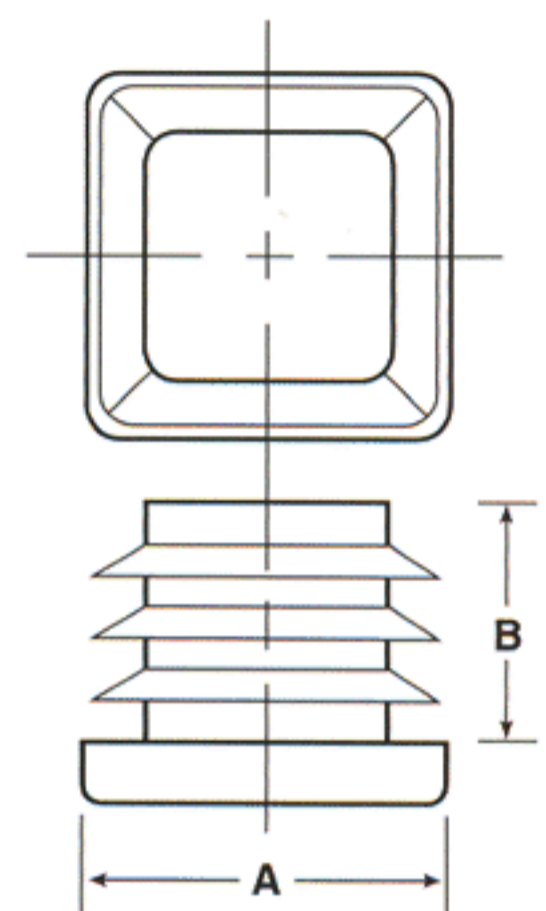
SQR Series Plugs for Square Tubing



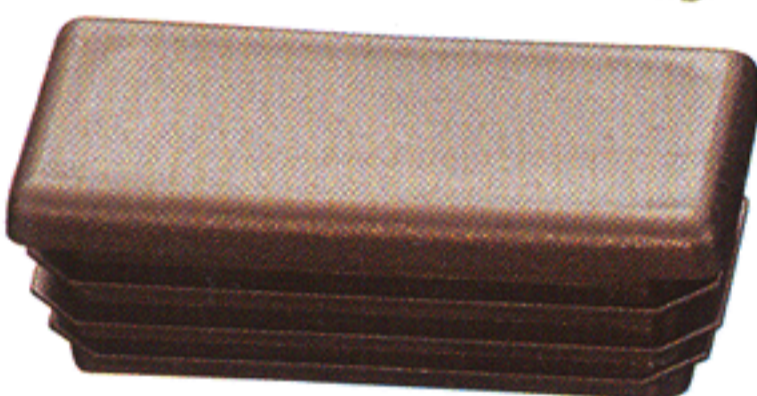
Series SQR Square Plugs feature a series of externally tapered ribs designed to accommodate a wide range of tubing gauges while also satisfying the fit adjustments on tubing with inside dimensional fluctuations. The exterior ribs are designed to provide a sure grip inside a tube without the unsightly plastic shavings found on many straight wall glide installations.



MATERIAL: Low Density Polyethylene
COLOR*: Black



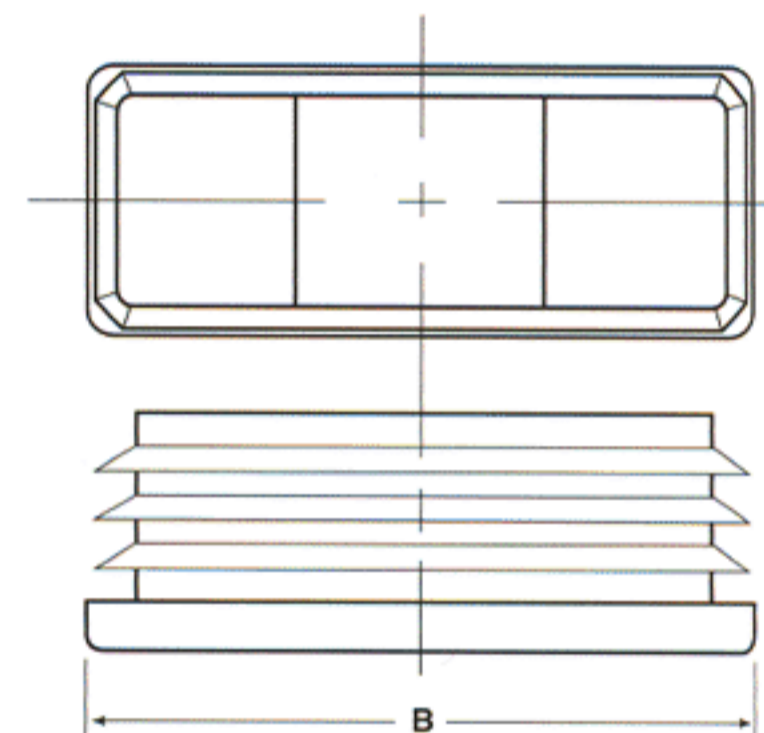
RER Series Plugs for Rectangular Tubing



Featuring the same external rib design of Series SQR Square Plugs, Series RER Rectangular Plugs are offered in a broad selection of width to length proportions to fit many special tubing shapes found on stands for computer terminals and office machines, display fixtures, and similar metal furnishings and equipment. Durable construction ensures exceptional performance in business and commercial applications.



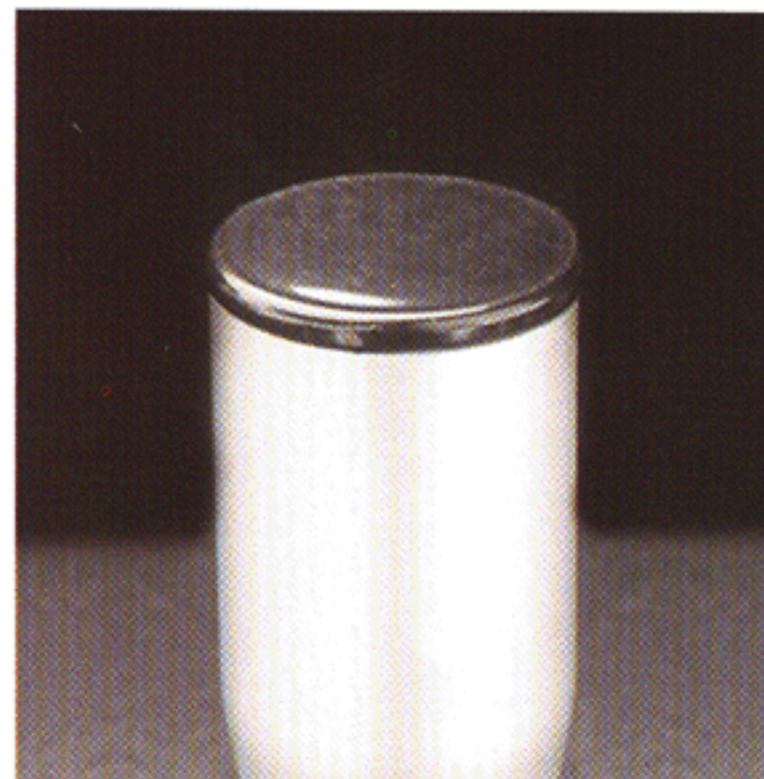
MATERIAL: Low Density Polyethylene
COLOR*: Black



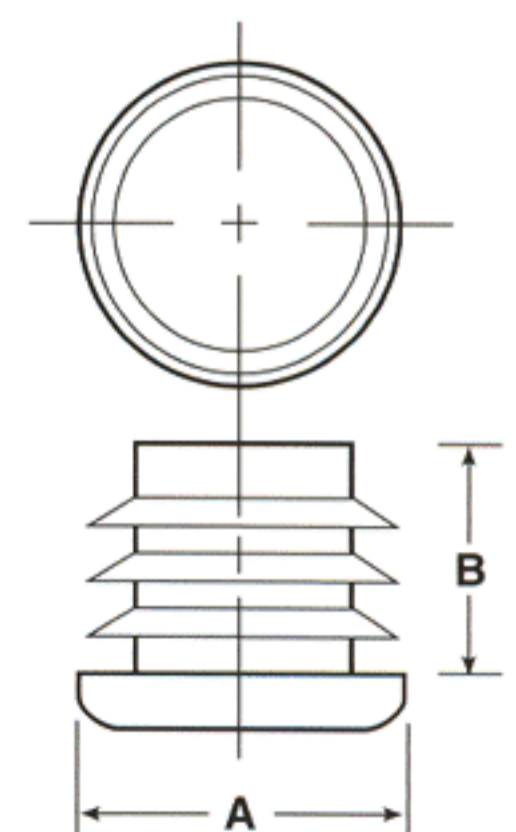
CCF Series Plugs for Round Tubing



Durable construction and excellent gliding characteristics recommend Series CCF Round Plugs for use on a wide range of metal furniture, appliances, and similar items. Because they feature the same external rib design of Series SQR Square and Series RER Rectangular Plugs, a secure fit is ensured. A thick, impact- and abrasion-resistant base makes Series CCF plugs ideal tubing closures for products subject to heavy duty service or exposure to adverse environments. None of Caplugs Rib-Lok Load-Bearing Furniture Glides are subject to rust or corrosion.



MATERIAL: Low Density Polyethylene
COLOR*: Black



non-threaded PLUGS



SQR Series

Dimensions				Packaging				Caplug No.**
A - To Fit Tube Size O.D.	Wall Thickness in	B		Standard Carton		Mini Pak Quantity		
		in	mm	Shipping Wt.(Approx.)				
				lbs	kgs	No. of Pieces		
.500	16-18 Ga. (.065-.049)	.44	11	8	3.8	5000	1000	SQR-1/2-16-18
.625	14-20 Ga. (.083-.035)	.43	11	15	6.7	5000	1000	SQR-5/8-14-20
.750	14-20 Ga. (.083-.035)	.43	11	11	4.9	2500	500	SQR-3/4-14-20
.875	14-20 Ga. (.083-.035)	.43	11	18	8.0	3000	600	SQR-7/8-14-20
1.000	10-14 Ga. (.134-.083)	.43	11	19	8.7	2500	500	SQR-1-10-14
1.000	14-20 Ga. (.083-.035)	.43	11	19	8.6	2500	500	SQR-1-14-20
1.125	14-20 Ga. (.083-.035)	.49	12	16	7.3	1500	300	SQR-1-1/8-14-20
1.250	14-20 Ga. (.083-.035)	.52	13	15	6.7	1000	200	SQR-1-1/4-14-20
1.500	10-14 Ga. (.134-.083)	.52	13	18	8.1	1000	200	SQR-1-1/2-10-14
1.500	14-20 Ga. (.083-.035)	.52	13	19	8.6	1000	200	SQR-1-1/2-14-20
1.750	14-20 Ga. (.083-.035)	.52	13	15	6.8	500	100	SQR-1-3/4-14-20
2.000	10-14 Ga. (.134-.083)	.52	13	19	8.7	500	100	SQR-2-10-14
2.000	14-20 Ga. (.083-.035)	.52	13	19	8.6	500	100	SQR-2-14-20
2.250	10-14 Ga. (.134-.083)	.52	13	9	4.3	200	40	SQR-2-1/4-10-14
2.500	6-10 Ga. (.203-.134)	.56	14	14	6.2	300	60	SQR-2-1/2-6-10
3.000	3-6 Ga. (.239-.194)	1.00	25	20	9.4	150	30	SQR-3-3-6
4.000	3-6 Ga. (.239-.194)	1.00	25	16	7.3	75	15	SQR-4-3-6

RER Series

Dimensions					Packaging				Caplug No.**
A in*	B in*	Wall Thickness in*	C		Standard Carton		Mini Pak Quantity		
			in	mm	Shipping Wt.(Approx.)				
					lbs	kgs	No. of Pieces		
.500	1.000	16-18 Ga. (.065-.049)	.43	11	11	5.0	2500	500	RER-1/2x1-16-18
.625	1.250	14-20 Ga. (.083-.035)	.43	11	14	6.2	2000	400	RER-5/8x1-1/4-14-20
.625	1.250	14 Ga. (.083)	.50	13	15	6.7	2000	400	REC-5/8x1-1/4-14†
.625	1.375	14-20 Ga. (.083-.035)	.43	11	19	8.8	2500	500	RER-5/8x1-3/8-14-20
.750	1.500	14-20 Ga. (.083-.035)	.43	11	19	8.5	2000	400	RER-3/4x1-1/2-14-20
1.000	1.250	14-20 Ga. (.083-.035)	.50	13	20	9.0	2000	400	REC-1x1-1/4-14-20
1.000	1.500	14-20 Ga. (.083-.035)	.50	13	14	6.3	1000	200	RER-1x1-1/2-14-20
1.000	2.000	10-14 Ga. (.134-.083)	.50	13	15	7.0	1000	200	RER-1x2-10-14
1.000	2.000	14-20 Ga. (.083-.035)	.50	13	15	6.7	1000	200	RER-1x2-14-20
1.000	2.500	16-18 Ga. (.065-.049)	.50	13	20	9.2	1000	200	RER-1x2-1/2-16-18
1.000	3.000	14-20 Ga. (.083-.035)	.51	13	17	7.8	500	100	RER-1x3-14-20
1.500	2.500	12-16 Ga. (.105-.065)	.53	13	14	6.3	300	60	RER-1-1/2x2-1/2-12-16
2.000	3.000	10-14 Ga. (.134-.083)	.52	13	15	6.7	250	50	RER-2x3-10-14
40mm	80mm	3-4mm	.94	24	18	8.2	250	50	RER-40x80-3-4mm
2.000	4.000	6-12 Ga. (.194-.105)	.65	17	17	7.7	200	40	RER-2x4-6-12

CCF Series

Dimensions				Packaging				Caplug No.**
A - To Fit Tube Size O.D.	Wall Thickness in	B		Standard Carton		Mini Pak Quantity		
		in	mm	Shipping Wt. (Approx.)				
				lbs	kgs	No. of Pieces		
.500	16-20 Ga. (.065-.035)	.45	11	13	6.0	10000	1000	CCF-1/2-16-20
.625	14-20 Ga. (.083-.035)	.44	11	12	5.5	5000	1000	CCF-5/8-14-20
.750	14-20 Ga. (.083-.035)	.44	11	17	7.5	5000	1000	CCF-3/4-14-20
.875	14-20 Ga. (.083-.035)	.44	11	18	8.0	4000	800	CCF-7/8-14-20
1.000	10-14 Ga. (.134-.083)	.44	11	21	9.7	4000	800	CCF-1-10-14
1.000	14-20 Ga. (.083-.035)	.44	11	22	10.1	4000	800	CCF-1-14-20
1.125	14-20 Ga. (.083-.035)	.52	13	19	8.7	2500	500	CCF-1-1/8-14-20
1.250	14-20 Ga. (.083-.035)	.52	13	14	6.3	1500	300	CCF-1-1/4-14-20
1.500	14-20 Ga. (.083-.035)	.52	13	18	8.0	1500	300	CCF-1-1/2-14-20
1.625	14-20 Ga. (.083-.035)	.52	13	15	6.7	1000	200	CCF-1-5/8-14-20
1.750	14-20 Ga. (.083-.035)	.59	15	17	7.6	1000	200	CCF-1-3/4-14-20
2.000	10-14 Ga. (.134-.083)	.59	15	11	5.1	500	100	CCF-2-10-14
2.000	14-20 Ga. (.083-.035)	.59	15	11	5.0	500	100	CCF-2-14-20
2.250	10-14 Ga. (.134-.083)	.66	17	15	6.6	500	100	CCF-2-1/4-10-14
2.375	10-14 Ga. (.134-.083)	.66	17	13	5.7	400	80	CCF-2-3/8-10-14
2.500	8-12 Ga. (.165-.109)	.69	18	15	6.9	400	80	CCF-2-1/2-8-12
2.500	14-20 Ga. (.083-.035)	.69	18	13	6.0	400	80	CCF-2-1/2-14-20

feature plain shank style

les and ordering assistance
www.caplugs.com or call

1-888-Caplugs® (227-5847)

In Canada 1-800-387-7115