



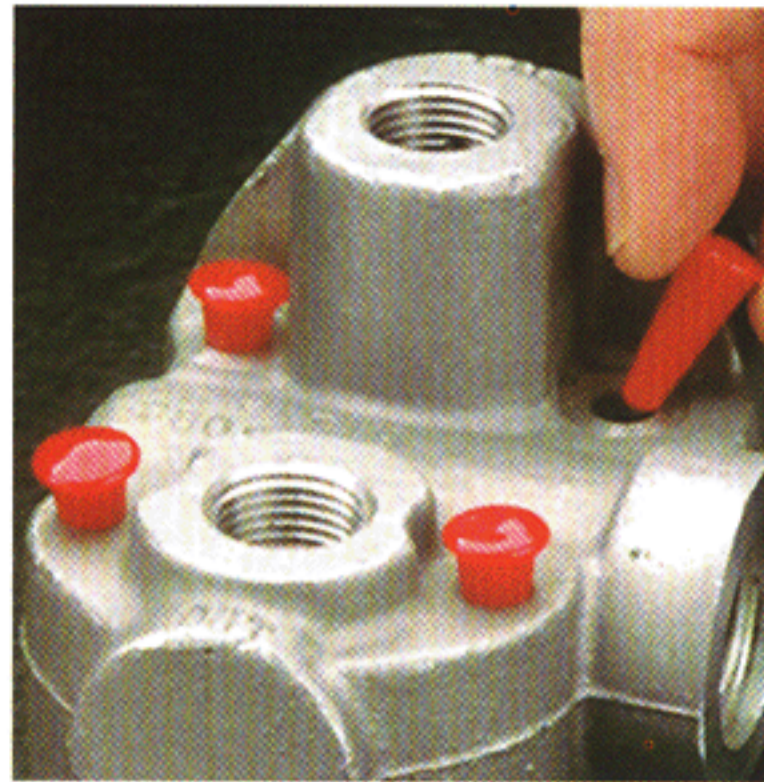
PLUGS Polaris Vinyl

TP Series Tapered Vinyl Plugs

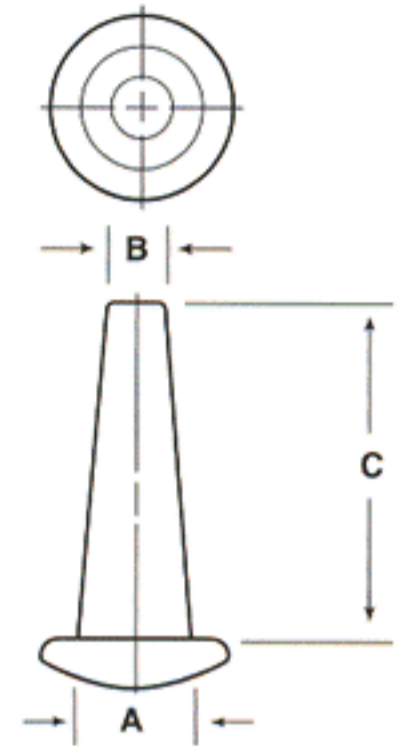


Series TP Vinyl Plugs are designed with a distinct tapered configuration, making them ideal for plugging small holes ranging in diameter from .070" to .343". Flexibility of the vinyl allows these plugs to push in and pull out easily.

They are color coded for ease of size identification.



MATERIAL: Vinyl
COLOR*: See Chart



VTP Series Flexible Vinyl, Tapered Plugs

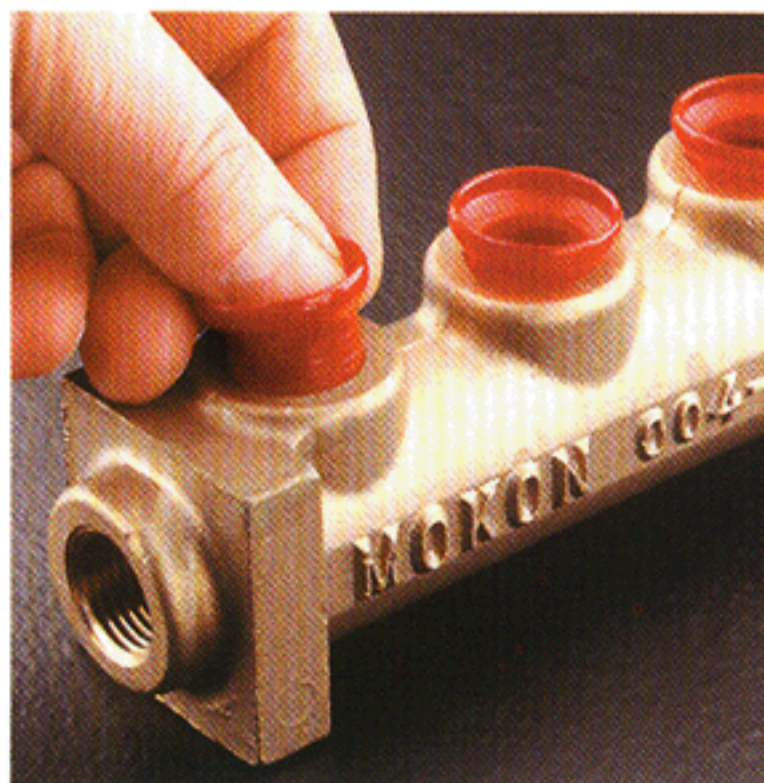
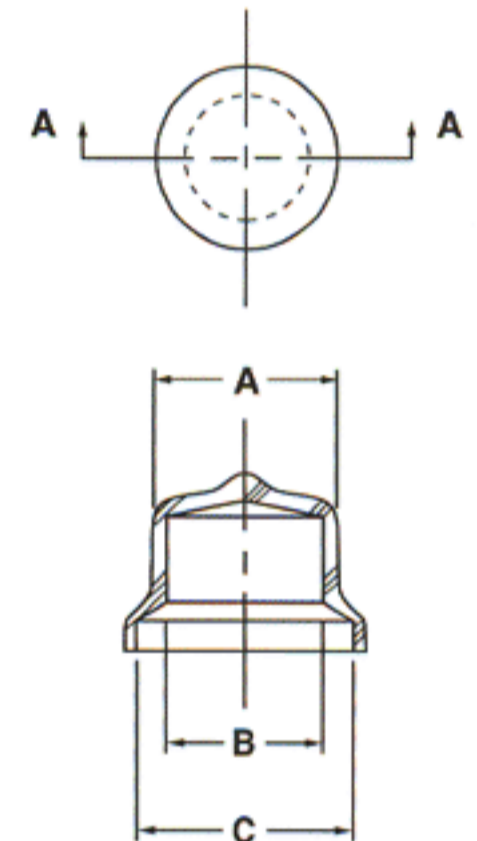


Series VTP Vinyl Plugs provide a snug fit when pushed into open ports, ensuring a tight closure that will not pop out accidentally during processing or shipping.

A simple tug on the flanged lip of an installed VTP breaks the seal for easy removal. The plugs are molded from a specially formulated, non-shredding vinyl that offers an attractive, high gloss finish to products.



MATERIAL: Vinyl
COLOR*: Red





TP Series

Color	Dimensions						Packaging				Caplug No.
	A		B		C		Standard Carton		Mini Pak Quantity		
	in	mm	in	mm	in	mm	Shipping Wt. (Approx.) lbs	kgs		No. of Pieces	
Red	.15	3.81	.07	1.78	1/2	12.70	2	0.9	5000	1000	TP-4
Blue	.20	5.08	.10	2.54	1/2	12.70	3	1.3	5000	1000	TP-6
Green	.25	6.35	.14	3.56	3/4	19.05	7	3.1	5000	1000	TP-8
Brown	.30	7.62	.14	3.56	1	25.40	8	3.6	5000	1000	TP-9
Orange	.31	7.87	.16	4.06	3/4	19.05	9	4.0	5000	1000	TP-10
Gray	.31	7.87	.19	4.83	1	25.40	13	5.8	5000	1000	TP-11
Red	.34	8.64	.19	4.83	3/4	19.05	10	4.5	5000	1000	TP-12

VTP Series

To Fit Thread Size	To Fit Thread Size	Dimensions						Packaging				Caplug No.
		A		B		C		Standard Carton		Mini Pak Quantity		
		in	mm	in	mm	in	mm	Shipping Wt. (Approx.) lbs	kgs		No. of Pieces	
-	1/4 STD	.195	4.95	.125	3.18	.300	7.62	3	1.4	5000	1000	VTP-05
-	5/16 STD	.290	7.37	.210	5.33	.406	10.31	5	2.3	5000	1000	VTP-1
1/8 NPT	3/8 STD	.400	10.16	.290	7.37	.437	11.10	6	2.7	5000	1000	VTP-2
-	7/16 STD	.445	11.30	.340	8.64	.500	12.70	9	4.1	5000	1000	VTP-25
1/4 NPT	1/2 STD	.530	13.46	.365	9.27	.555	14.10	15	6.8	5000	1000	VTP-3
-	9/16 STD	.570	14.48	.445	11.30	.625	15.88	9	4.1	2500	500	VTP-35
3/8 NPT	5/8 STD	.640	16.26	.520	13.21	.750	19.06	12	5.4	2500	500	VTP-4
1/2 NPT	3/4 STD	.800	20.32	.682	17.32	.937	23.80	13	5.9	2500	500	VTP-5
3/4 NPT	7/8 STD	.870	22.10	.732	18.59	1.000	25.40	9	4.1	1000	200	VTP-55
3/4 NPT	1 1/16 STD	1.025	26.04	.891	22.63	1.188	30.18	10	4.5	1000	200	VTP-6
1 NPT	1 3/16, 1 1/4, 1 5/16 STD	1.275	32.39	1.147	29.13	1.453	36.91	13	5.9	1000	200	VTP-7