



# PLUGS threaded

## P Series Plastic Threaded Plugs for Pipe Fitting

EXPANDED

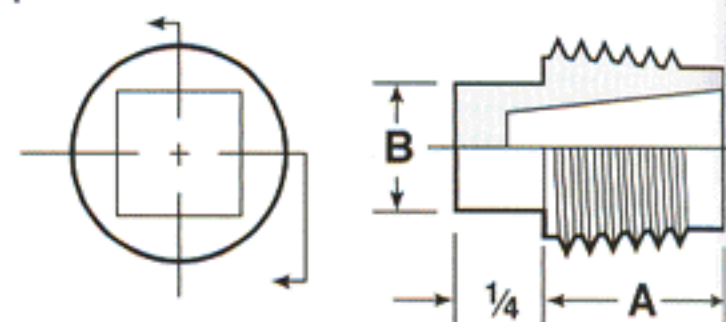


Series P Pipe Plugs are available in three styles: square head, round head and recessed socket. They are molded in high density polyethylene and are ideal for keeping moisture, dirt and other contaminants from NPT-threaded ports.

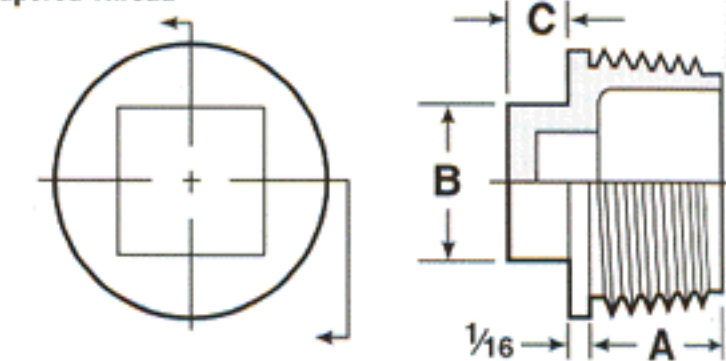


MATERIAL: High Density Polyethylene  
COLOR\*: Red

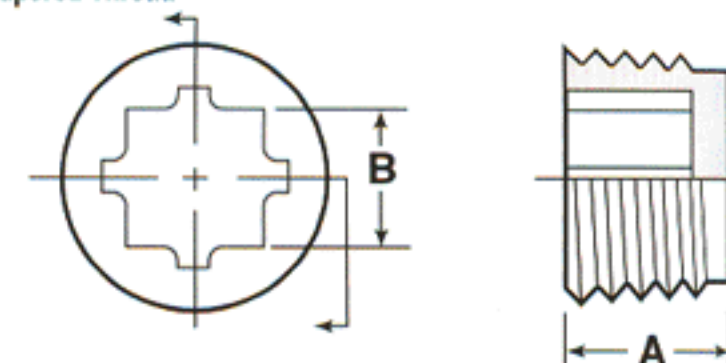
Tapered Thread



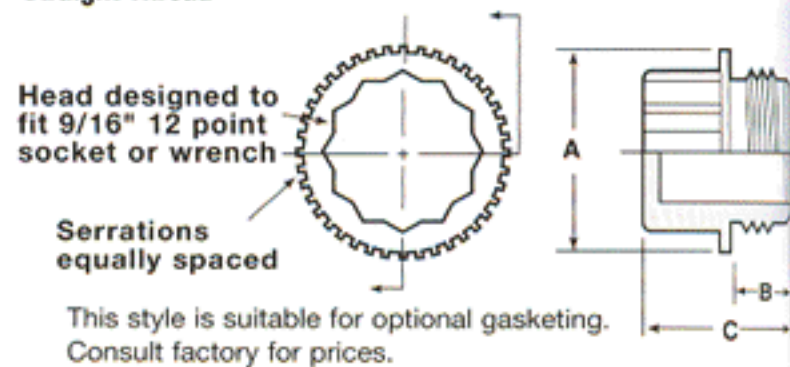
Tapered Thread



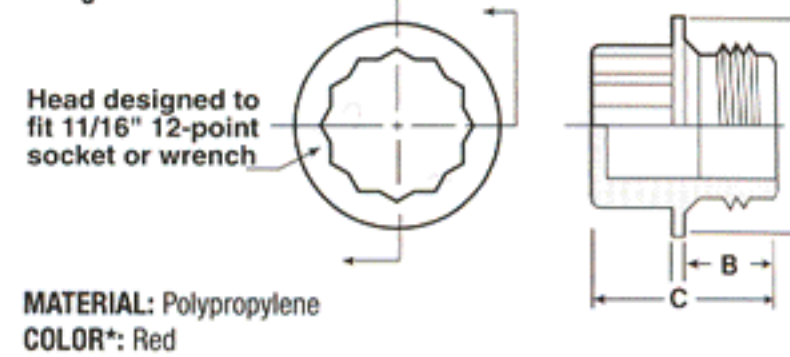
Tapered Thread



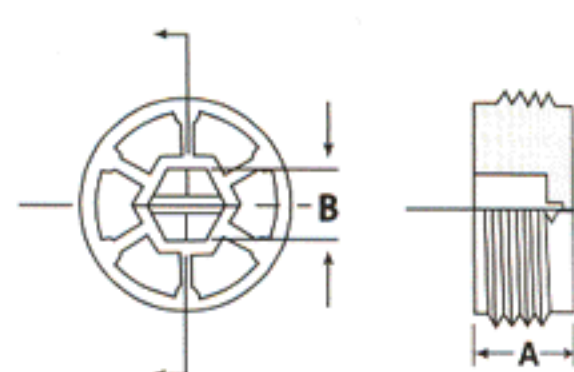
Straight Thread



Straight Thread



Straight Thread



# threaded PLUGS



cs.: MIL-C-5501/5

## P Series

To Fit Thread Size	Dimensions						Packaging				Caplug No.
	A		B		C		Standard Carton		Mini Pak Quantity		
	in	mm	in	mm	in	mm	Shipping Wt. (Approx.) lbs	kgs		No. of Pieces	
1/8" NPT	0.44	11.18	0.28	7.11	-	-	10	4.5	5000	1000	P-18
1/4" NPT	0.50	12.70	0.37	9.40	-	-	16	7.2	5000	1000	P-28
3/8" NPT	0.56	14.22	0.44	11.18	-	-	24	10.8	5000	1000	P-38
1/2" NPT	0.59	14.99	0.56	14.22	-	-	18	8.1	2500	500	P-48
1 1/4" NPT	0.75	19.05	0.75	19.05	-	-	18	8.1	800	160	P-108
3/4" NPT	0.62	15.75	0.62	15.75	0.25	6.35	11	4.9	1000	200	P-68H
1" NPT	0.72	18.29	0.81	20.57	0.31	7.87	16	7.2	1000	200	P-88H
3/4" NPT	0.62	15.75	0.50	12.70	-	-	12	5.4	1000	200	P-68V
1/8" NPT	0.56	14.22	0.27	6.85	0.58	14.73	17	7.6	5000	1000	P-18B
1/4" NPT	0.74	18.80	0.37	9.39	0.68	17.27	13	5.8	5000	1000	P-28B
3/8" NPT	0.83	21.08	0.33	8.38	0.71	10.03	10	4.5	2500	500	P-38B
1/2" NPT	1.04	26.42	0.56	14.22	0.94	23.88	10	4.5	1000	200	P-48B
3/4" NPT	1.31	33.28	0.63	16.00	1.04	26.42	13	5.8	1000	200	P-68B
1/2" -14 NPT	1.04	26.41	0.50	12.70	0.94	23.87	18	8.1	3000	600	P-48C
3/4" NPT	0.50	12.70	0.31	7.87	-	-	19	8.6	2500	500	P-68VH



# PLUGS threaded

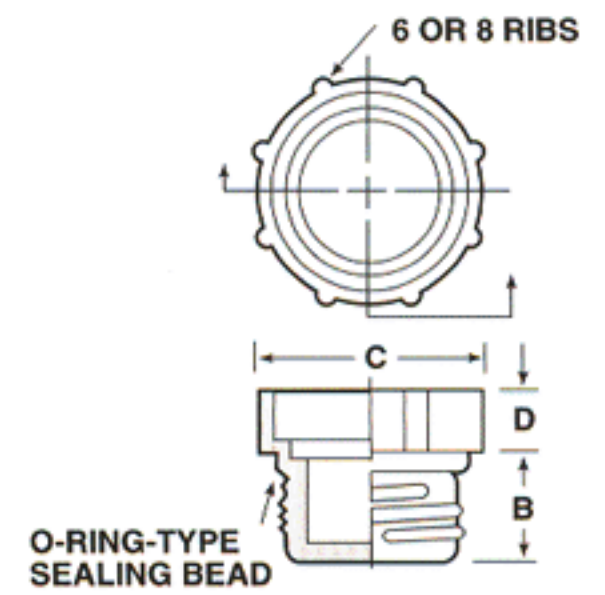
## PDO Series Plastic Threaded Plugs for SAE O-Ring Ports



Series PDO Plugs provide positive sealing for SAE straight-threaded O-ring-type ports and MIL-MS-33649 bosses on fluid power components. Integral O-ring type bead seats in the bevel of the port to prevent oil leakage or entrance of contaminants. Seal at outside of knurl protects port face against paint and dirt.



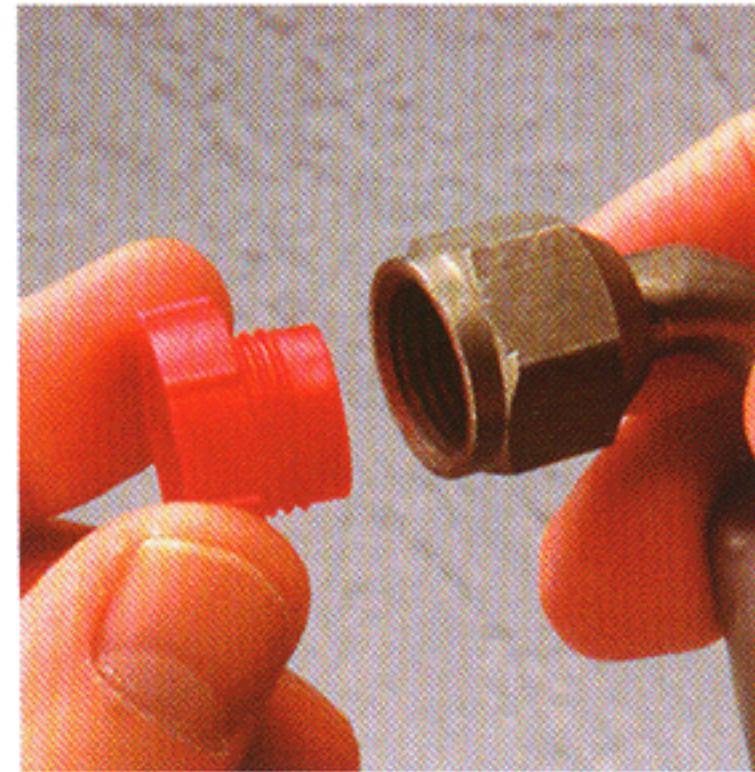
**MATERIAL:** High Density Polyethylene  
**COLOR\*:** Red



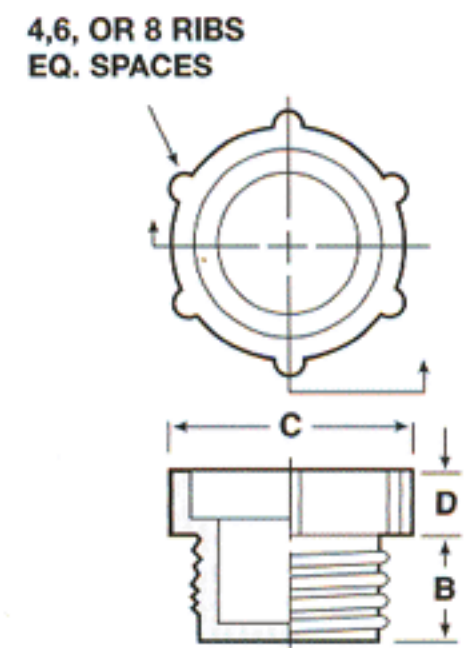
## PDI Series Threaded Plastic Plugs for Inverted Flared Fittings



Series PDI Plugs are made for use on inverted flared fittings. Knurled for ease of application, they will seal with light finger tightening. Series PDI Plugs will seal boss type fittings without gaskets.



**MATERIAL:** Low Density Polyethylene  
**COLOR\*:** Red



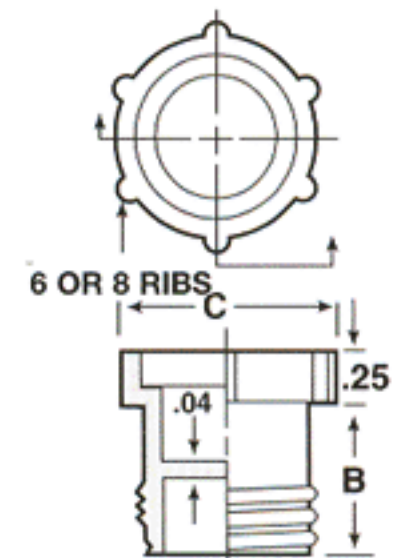
## PDE Series Plastic Threaded Plugs for Flareless Tube and Nut Assemblies



Knurled for ease of application, Series PDE Plugs are designed to fit MS-21921 tube and nut assemblies interchangeably. They can be installed with light finger tightening to seal beyond normal requirements.



**MATERIAL:** Low Density Polyethylene  
**COLOR\*:** Red





## PDO Series

To Fit Thread Size	Dimensions						Packaging				Caplug No.
	B		C		D		Standard Carton		Mini Pak Quantity		
	in	mm	in	mm	in	mm	Shipping Wt. (Approx.) lbs	kgs		No. of Pieces	
7/16-20	0.32	8.13	0.65	16.5	0.38	9.65	11	4.9	5000	1000	PDO-104
1/2-20	0.32	8.13	0.72	18.2	0.38	9.65	12	5.4	5000	1000	PDO-105
9/16-18	0.36	9.14	0.78	19.8	0.38	9.65	15	6.8	5000	1000	PDO-106
3/4-16	0.40	10.16	0.98	24.8	0.38	9.65	11	4.9	2500	500	PDO-108
7/8-14	0.45	11.43	1.11	28.2	0.38	9.65	13	5.8	2500	500	PDO-110
1 1/16-12	0.62	15.75	1.31	33.2	0.38	9.65	19	8.6	2500	500	PDO-112
1 5/16-12	0.62	15.75	1.56	39.6	0.38	9.65	11	4.9	1000	200	PDO-116
1 5/8-12	0.62	15.75	1.88	47.7	0.38	9.65	11	4.9	1000	200	PDO-120

Specs.: MIL-C-52078

## PDI Series

To Fit Thread Size	Dimensions						Packaging				Caplug No.
	B		C		D		Standard Carton		Mini Pak Quantity		
	in	mm	in	mm	in	mm	Shipping Wt. (Approx.) lbs	kgs		No. of Pieces	
5/16-28	0.22	5.59	0.44	11.2	0.19	4.83	5	2.2	5000	1000	PDI-21
3/8-24	0.25	6.35	0.50	12.7	0.19	4.83	6	2.7	5000	1000	PDI-31
7/16-24	0.27	6.86	0.63	16.0	0.19	4.83	8	3.6	5000	1000	PDI-41
1/2-20	0.28	7.11	0.69	17.5	0.25	6.35	11	4.9	5000	1000	PDI-51
5/8-18	0.31	7.87	0.81	20.6	0.25	6.35	13	5.8	5000	1000	PDI-66
1 1/16-18	0.31	7.87	0.87	22.1	0.25	6.35	15	6.8	5000	1000	PDI-69
3/4-18	0.38	9.65	0.87	22.1	0.25	6.35	17	7.6	5000	1000	PDI-81
1 1/16-16	0.43	10.92	1.19	30.2	0.25	6.35	14	6.3	2500	500	PDI-122

## PDE Series

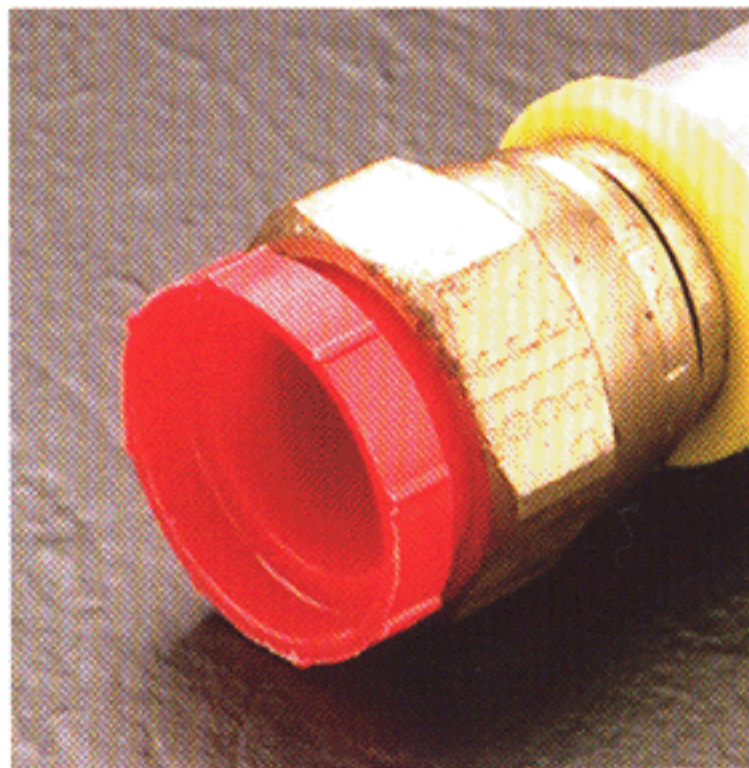
To Fit Thread Size	Dimensions						Packaging				Caplug No.
	B		C		D		Standard Carton		Mini Pak Quantity		
	in	mm	in	mm	in	mm	Shipping Wt. (Approx.) lbs	kgs		No. of Pieces	
3/8-24	0.35	8.89	0.56	12.7			8	3.6	5000	1000	PDE-3
7/16-20	0.40	10.16	0.56	14.2			9	4	5000	1000	PDE-4
1/2-20	0.46	11.68	0.63	16.0			11	4.9	5000	1000	PDE-5
9/16-18	0.48	12.19	0.68	17.2			13	5.8	5000	1000	PDE-6
3/4-16	0.54	13.72	0.87	22.1			18	8.1	5000	1000	PDE-8
7/8-14	0.62	15.75	1.00	25.4			12	5.4	2500	500	PDE-10
1 1/16-12	0.64	16.26	1.25	31.7			6	2.7	1000	200	PDE-12
1 5/16-12	0.72	18.29	1.50	38.1			9	4	1000	200	PDE-16



# PLUGS threaded

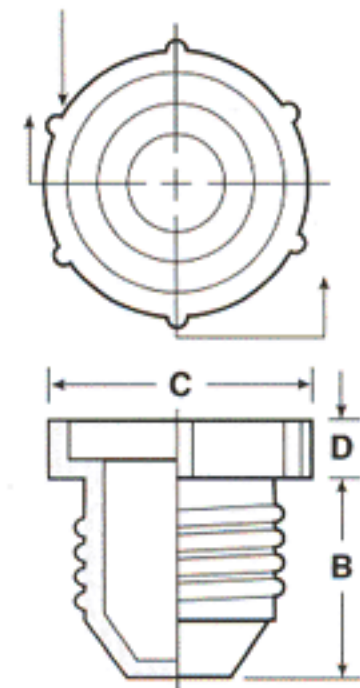
## PD Series Threaded Plastic Plugs for Flared JIC Fittings

Series PD Plugs, designed for use on flared JIC fittings, are knurled for ease of application. They will seal low pressure requirements with light finger tightening. PD Plugs can be used to seal 37° flare fittings without gaskets.



MATERIAL: Low Density Polyethylene  
COLOR\*: Red

4, 6, OR 8 RIBS  
EQUALLY SPACED

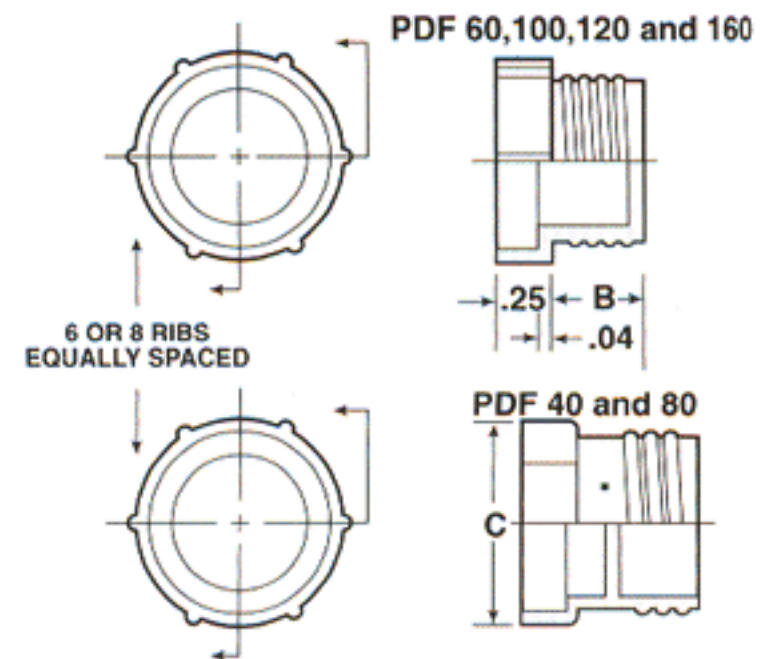


## PDF Series Threaded Plastic Plugs for Flat-Faced O-Ring Hydraulic Fittings

Series PDF Plugs are designed for easy mechanical or hand installation on flat-faced O-ring fittings.

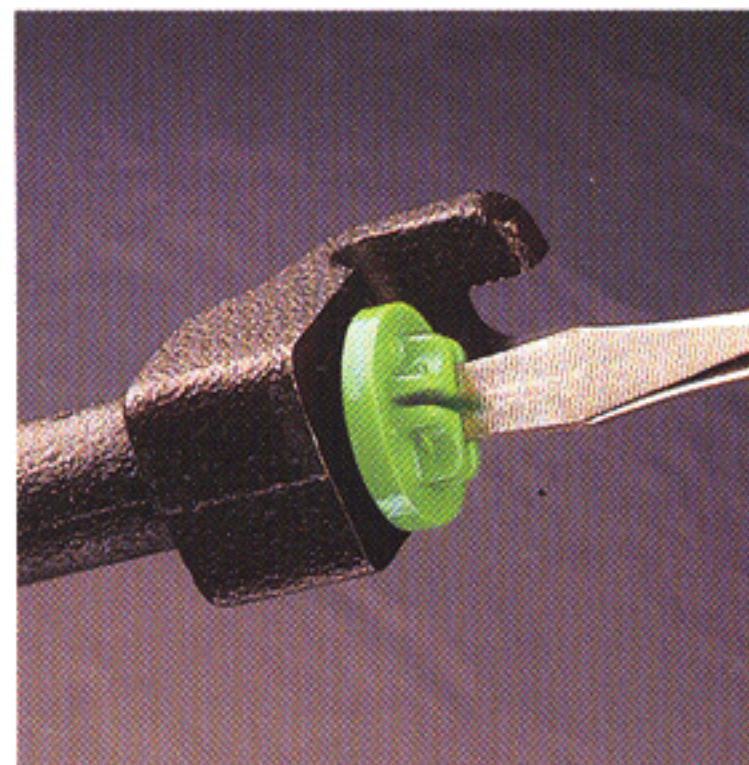


MATERIAL: Low Density Polyethylene  
COLOR\*: Red

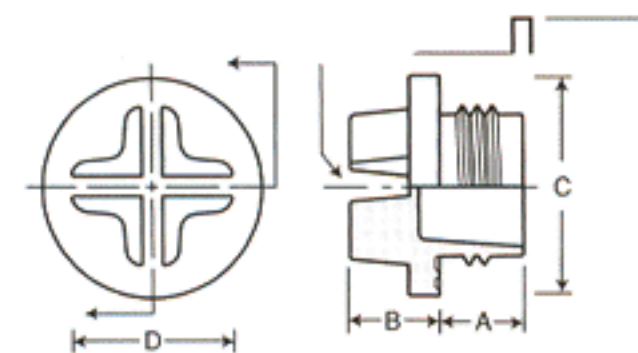


## MSP Series Slotted-Head Plastic Plugs For Metric-Threaded Ports

Series MSP Plugs feature two concentric, raised rings on the underside of the flange to provide positive sealing around metric-threaded ports. A cross-slotted head makes it easy to tighten with a screwdriver.



MATERIAL: High Density Polyethylene  
COLOR\*: Green



# threaded PLUGS



cs.: MIL-C-5501/1 (MIL-C-52078, NAS-815), NAS-833

## PD Series

Dimensions								Packaging				Caplug No.
To Fit Tube Size	To Fit Thread Size	B		C		D		Standard Carton		Mini Pak Quantity		
		in	mm	in	mm	in	mm	Shipping Wt. (Approx.)				
								lbs	kgs	No. of Pieces		
1/8	5/16-24	0.44	11.2	0.44	11.18	0.18	4.57	5	2.2	5000	1000	PD-20
3/16	3/8-24	0.46	11.7	0.50	12.70	0.18	4.57	7	3.1	5000	1000	PD-30
1/4	7/16-20	0.53	13.5	0.62	15.75	0.19	4.83	9	4	5000	1000	PD-40
5/16	1/2-20	0.53	13.5	0.68	17.27	0.25	6.35	12	5.4	5000	1000	PD-50
3/8	9/16-18	0.50	12.7	0.81	20.57	0.25	6.35	13	5.8	5000	1000	PD-60
3/8	5/8-18	0.59	15.0	0.81	20.57	0.25	6.35	16	7.2	5000	1000	PD-65
1/2	3/4-16	0.75	19.1	0.94	23.88	0.25	6.35	12	5.4	2500	500	PD-80
5/8	7/8-14	0.87	22.1	1.06	26.93	0.25	6.35	16	7.2	2500	500	PD-100
3/4	1 1/16-12	0.89	22.6	1.25	31.75	0.25	6.35	21	9.4	2500	500	PD-120
3/4	1 1/16-14	1.12	28.5	1.31	33.28	0.25	6.35	10	4.5	1000	200	PD-121
7/8	1 3/16-12	0.93	23.6	1.40	35.56	0.25	6.35	21	9.4	2500	500	PD-140
1	1 5/16-12	0.93	23.6	1.50	38.10	0.25	6.35	10	4.5	1000	200	PD-160
-	1 1/2-12	0.93	23.6	1.75	44.45	0.25	6.35	13	5.8	1000	200	PD-180
1 1/4	1 5/8-12	0.93	23.6	2.00	50.80	0.25	6.35	15	6.8	1000	200	PD-200
-	1 3/4-12	0.95	24.1	2.19	55.63	0.25	6.35	17	7.6	1000	200	PD-220
1 1/2	1 7/8-12	1.15	29.2	2.31	58.68	0.31	7.87	12	5.4	500	100	PD-240
1 3/4	2 1/4-12	1.31	33.3	2.63	66.80	0.31	7.87	18	8.1	500	100	PD-280
2	2 1/2-12	1.31	33.3	2.94	74.68	0.31	7.87	19	8.6	500	100	PD-320

## PDF Series

Dimensions							Packaging				Caplug No.
To Fit Tube Size	To Fit Thread Size	B		C		Shipping Wt. (Approx.)		No. of Pieces	Mini Pak Quantity		
		in	mm	in	mm	lbs	kgs				
1/4	9/16-18	0.48	12.19	0.68	17.27	13	5.8	5000	1000	PDE-6 (PDF-40)	
3/8	11/16-16	0.44	11.18	0.87	22.10	15	6.8	5000	1000	PDF-60	
1/2	13/16-16	0.50	12.70	0.94	23.88	19	8.6	5000	1000	PDF-80	
5/8	1-14	0.59	14.99	1.16	29.47	12	5.4	2500	500	PDF-100	
3/4	1 3/16-12	0.63	16.00	1.33	33.78	15	6.8	2500	500	PDF-120	
1	1 7/16-12	0.75	19.05	1.63	41.40	10	4.5	1000	200	PDF-160	

## MSP Series

Dimensions									Packaging				Caplug No.
To Fit Thread Size	A		B		C		D		Shipping Wt. (Approx.)		No. of Pieces	Mini Pak Quantity	
	in	mm	in	mm	in	mm	in	mm	lbs	kgs			
14mmx1.5mm	.33	8.30	.32	8.20	.86	21.80	.59	15.00	17	7.7	4000	800	MSP-14x1.5
16mmx1.5mm	.33	8.50	.24	9.00	.86	21.80	.63	16.00	17	7.7	4000	800	MSP-16x1.5



# PLUGS threaded

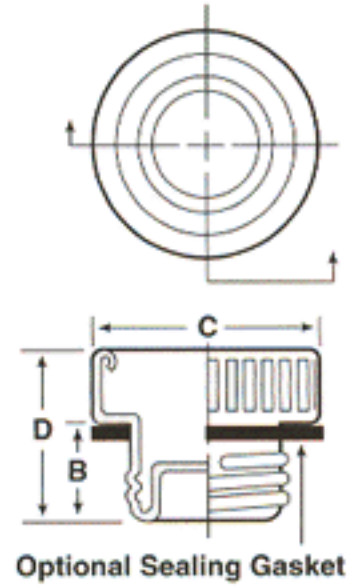
## ADP Series Threaded Aluminum Plugs For Flareless Tube And Hose Assemblies



Series ADP Plugs have a dimpled nose section that forms a low-pressure seal with flareless tube ends. The addition of a neoprene shoulder gasket enables the ADP-GN to provide a positive seal on the spot-face of the O-ring port. Gaskets are also optionally available in Butyl or Buna N rubber.



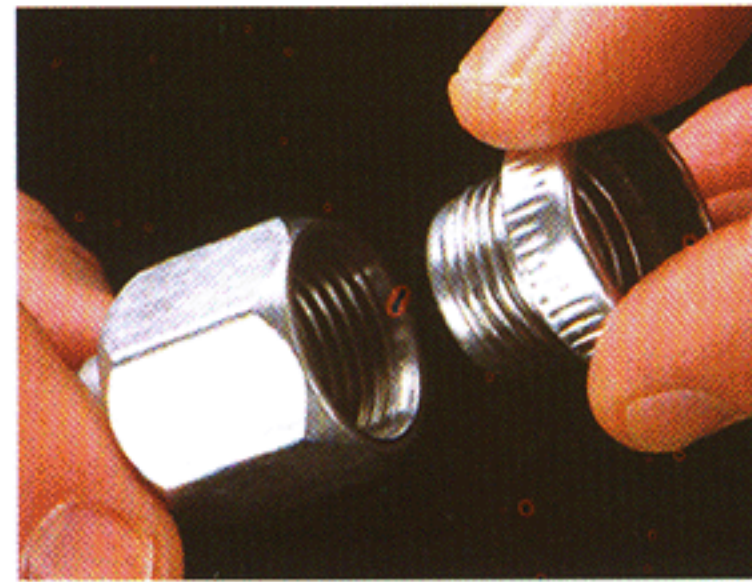
MATERIAL: 3003-0 Aluminum Alloy  
COLOR: Natural



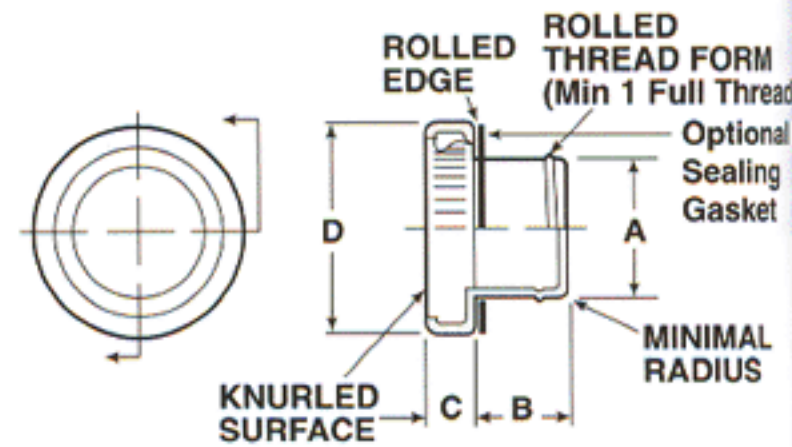
## AFO Series Threaded Aluminum Plugs For Flat-Faced O-Ring Hydraulic Fittings



Series AFO Plugs are designed for positive, metal-to-metal threaded protection of fluid lines and fittings. Available with optional neoprene gaskets. Sealing gaskets are also available in Butyl or Buna N rubber.



MATERIAL: 3003-0 Aluminum Alloy  
COLOR: Natural



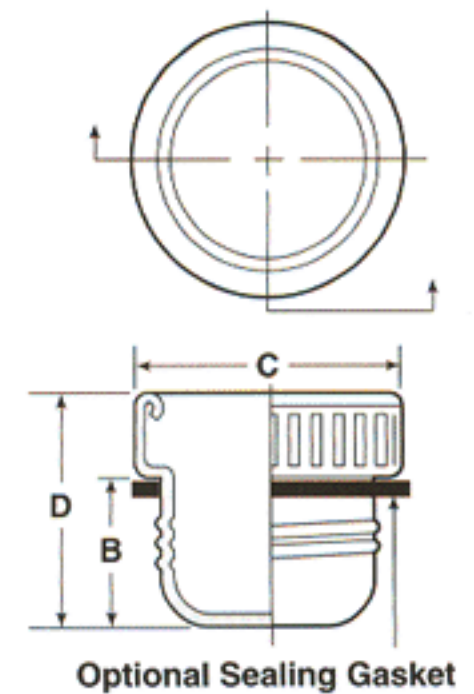
## ASP Series Threaded Aluminum Plugs for 37° Flared Fittings and Straight-Threaded Ports



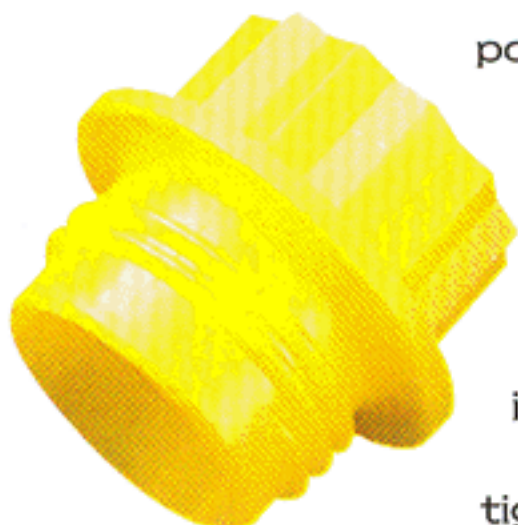
Designed for protection of 37° flare fittings and straight-threaded ports, the Series ASP Plug has a nose section that seals on flared fittings without a gasket. The ASP-GN has an added neoprene shoulder gasket for low-pressure sealing of threaded ports. Butyl or Buna N gaskets are also available.



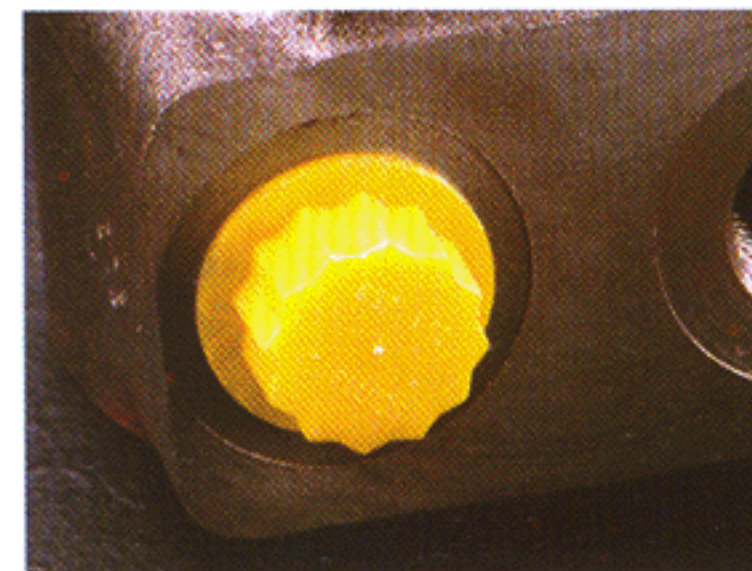
MATERIAL: 3003-0 Aluminum Alloy  
COLOR: Natural



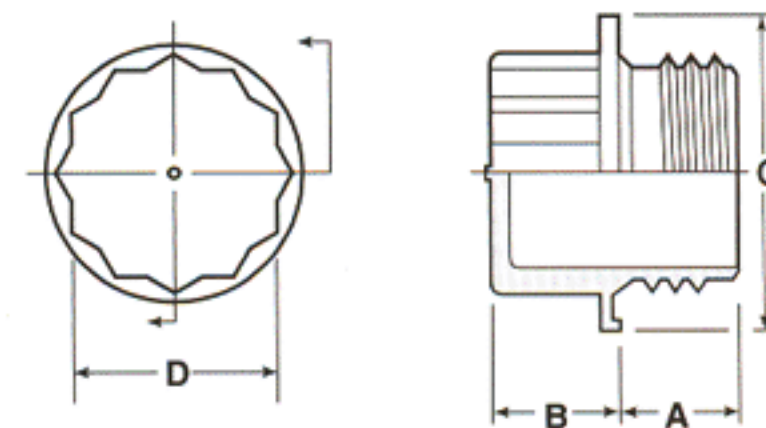
## BSP Series Plastic Threaded Plugs For British Standard Pipe Fittings



Series BSP Plugs provide positive protective sealing on ports threaded for British Standard Pipe fittings. A unique flange compression seal prevents leakage of residual fluid. Designed for easy finger installation, a 12-point head enables socket or wrench tightening for a positive seal.



MATERIAL: Polypropylene  
COLOR\*: Yellow



# threaded PLUGS



## ADP Series

Specs.: MIL-C-5501/2, NAS-842

Dimensions								Packaging				Caplug No.
To Fit Tube Size	To Fit Thread Size	B		C		D		Standard Carton		Mini Pak Quantity		
		in	mm	in	mm	in	mm	Shipping Wt.(Approx.) lbs	kgs		No. of Pieces	
5/32	5/16-24	.34	8.64	.47	11.94	.52	13.21	7	3.2	5500	1000	ADP-2
3/16	3/8-24	.28	7.11	.57	14.48	.52	13.21	10	4.5	5000	1000	ADP-3
1/4	7/16-20	.29	7.37	.61	15.49	.54	13.72	9	4.0	7000	1000	ADP-4
5/16	1/2-20	.32	8.13	.70	17.78	.55	13.97	11	4.9	5500	1000	ADP-5
3/8	9/16-18	.33	8.38	.76	19.30	.60	15.24	12	5.4	4000	1000	ADP-6
7/16	5/8-18	.31	7.87	.90	22.86	.59	14.99	16	7.2	5000	1000	ADP-7
1/2	3/4-16	.43	10.92	.94	23.88	.72	18.29	15	6.8	4700	800	ADP-8
5/8	7/8-14	.49	12.45	1.11	28.20	.74	18.80	12	5.4	3500	500	ADP-10
3/4	1 1/16-12	.47	11.94	1.38	35.05	.81	20.57	26	11.7	1900	500	ADP-12
1	1 5/16-12	.45	11.43	1.53	38.86	.82	20.83	13	5.8	1200	200	ADP-16

## AFO Series

Dimensions									Packaging				Caplug No.
To Fit Thread Size	A		B		C		D		Standard Carton		Mini Pak Quantity		
	in	mm	in	mm	in	mm	in	mm	Shipping Wt. (Approx.) lbs	kgs		No. of Pieces	
11/16-16	.607	15.42	.48	12.19	.29	7.37	.94	23.88	6	2.7	4500	1000	AFO-60
13/16-16	.730	18.54	.53	13.46	.29	7.37	1.11	28.20	7	3.1	3200	400	AFO-80
1-14	.907	23.04	.63	16.00	.31	7.87	1.38	35.05	10	4.5	1700	300	AFO-100
1 3/16-12	1.080	27.43	.70	17.78	.31	7.87	1.38	35.05	20	9.0	1400	300	AFO-120
1 7/16-12	1.330	33.78	.70	17.78	.43	10.92	2.00	50.80	22	9.9	650	100	AFO-160

Specs.: MIL-C-5501/1, NAS-818, NAS-836

## ASP Series

Dimensions								Packaging				Caplug No.
To Fit Tube Size	To Fit Thread Size	B		C		D		Standard Carton		Mini Pak Quantity		
		in	mm	in	mm	in	mm	Shipping Wt. (Approx.) lbs	kgs		No. of Pieces	
3/16	3/8-24	0.37	9.4	0.57	14.48	0.61	15.49	7	3.1	4500	1000	ASP-3
1/4	7/16-20	0.46	11.7	0.61	15.49	0.71	18.03	11	4.9	5000	1000	ASP-4
5/16	1/2-20	0.47	11.9	0.70	17.78	0.70	17.78	15	6.8	5000	1000	ASP-5
3/8	9/16-18	0.50	12.7	0.76	19.30	0.77	19.56	12	5.4	5000	1000	ASP-6
3/8	5/8-18	0.50	12.7	0.90	22.86	0.78	19.81	15	6.8	5000	1000	ASP-7
1/2	3/4-16	0.61	15.5	0.94	23.88	0.90	22.86	16	7.2	4000	800	ASP-8
5/8	7/8-14	0.70	17.8	1.11	28.20	0.95	24.13	12	5.4	3000	500	ASP-10
3/4	1 1/16-12	0.65	16.5	1.38	35.05	0.99	25.15	18	8.1	1700	500	ASP-12
1	1 5/16-12	0.71	18.0	1.53	38.86	1.08	27.43	13	5.8	1150	200	ASP-16

## BSP Series

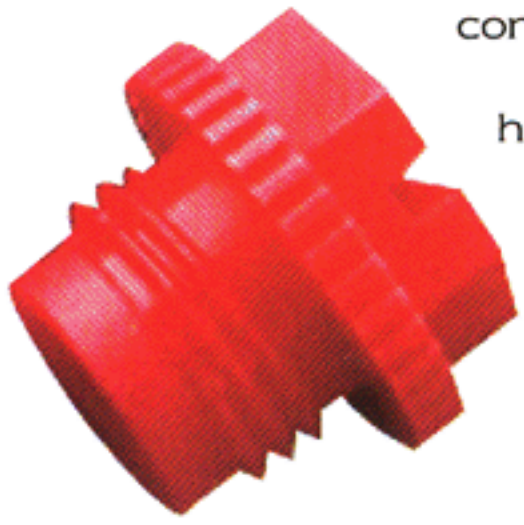
Dimensions								Packaging				Caplug No.
To Fit Thread Size	A		B		C		Wrench Size	Standard Carton		Mini Pak Quantity		
	in	mm	in	mm	in	mm		Shipping Wt.(Approx.) lbs	kgs		No. of Pieces	
G 1/4	.36	9.14	.33	8.38	.728	18.49	11	15	6.8	5000	1000	BSP-1/4
G 3/8	.36	9.14	.33	8.38	.886	22.51	14	18	8.1	4000	800	BSP-3/8
G 1/2	.43	10.92	.44	11.18	1.043	26.49	18	16	7.2	2000	400	BSP-1/2





# PLUGS threaded

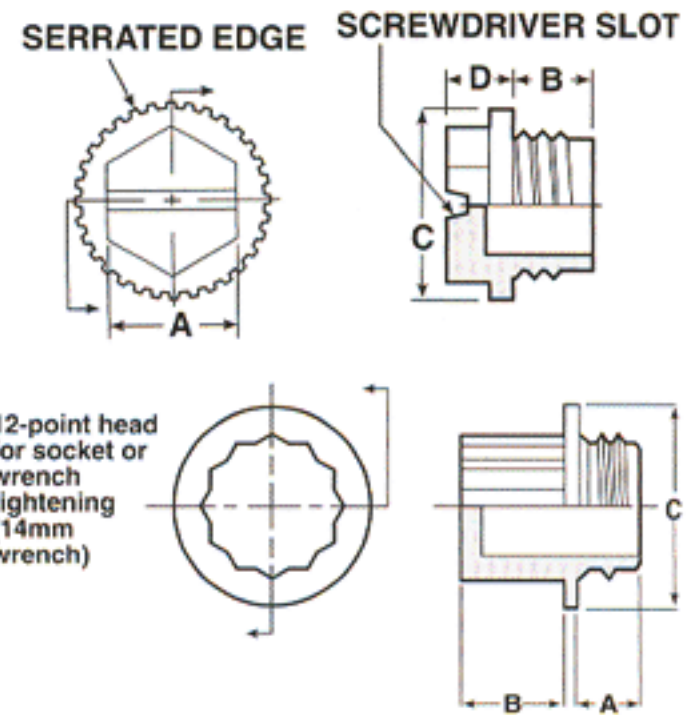
## RP Series Threaded Plugs



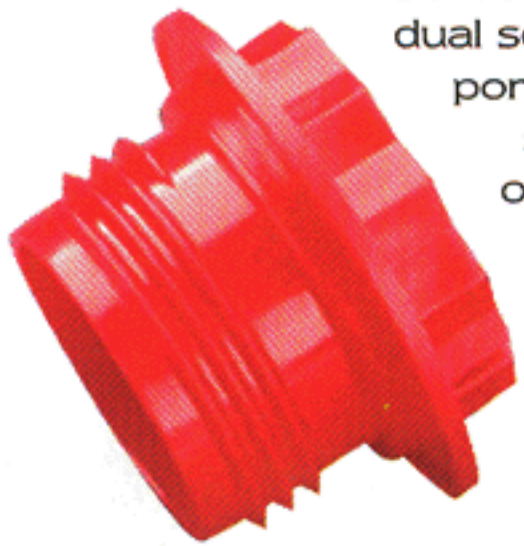
Originated for automotive and air conditioning tube fittings, Series RP is a general-purpose, high-strength, machine thread plug adaptable to a multitude of applications. Serrated for finger tightening, they also have a slotted hex head for screwdriver, nutdriver or wrench installation where desired.



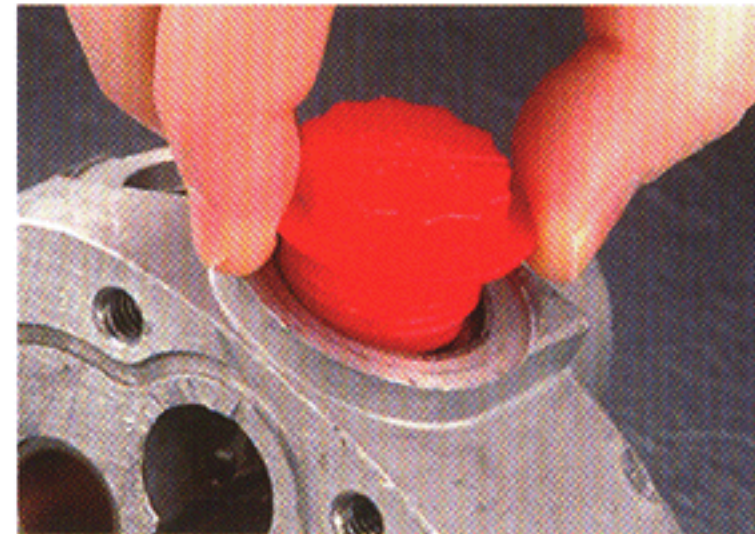
**MATERIAL:** Polypropylene  
**COLOR:** RP\*, Red  
RP-M\*, White



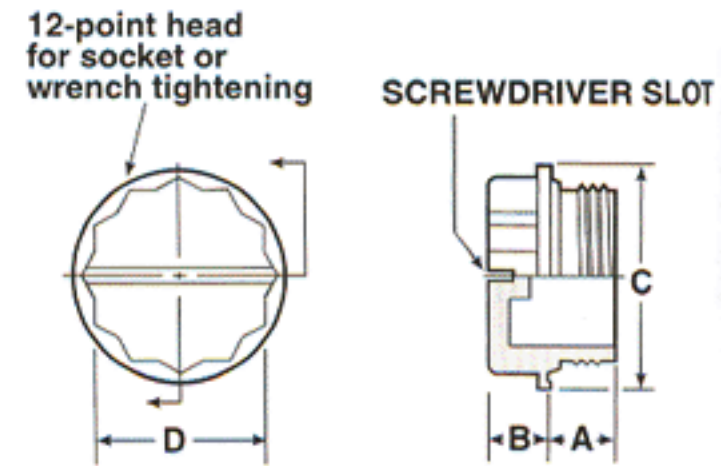
## RPO Series Threaded Plugs



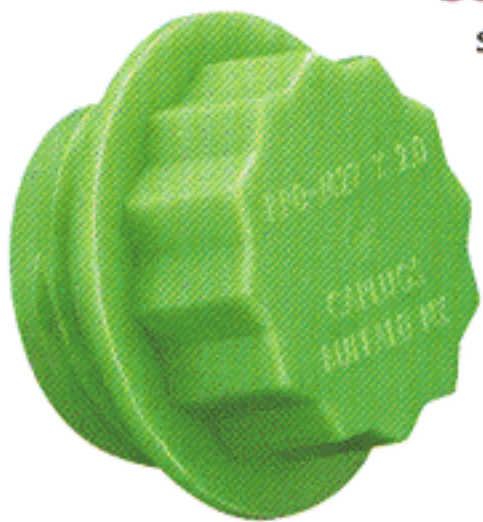
Series RPO Plugs provide a positive dual seal on SAE straight threaded ports. Integral O-ring-type bead seats into bevel of threaded opening to prevent oil or fluid leakage. A lip on the flange compresses against the surface to keep contaminants from the spot face. Slotted, 12-point head for screwdriver, socket or wrench tightening.



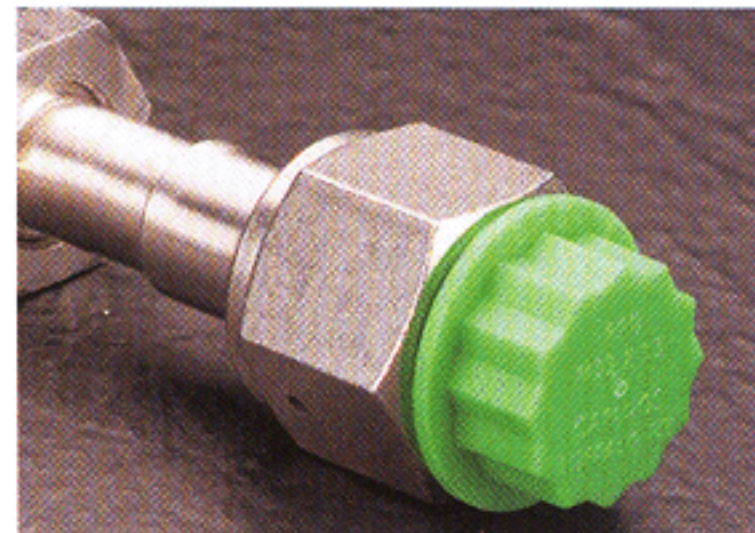
**MATERIAL:** High Density Polyethylene  
**COLOR:** Red



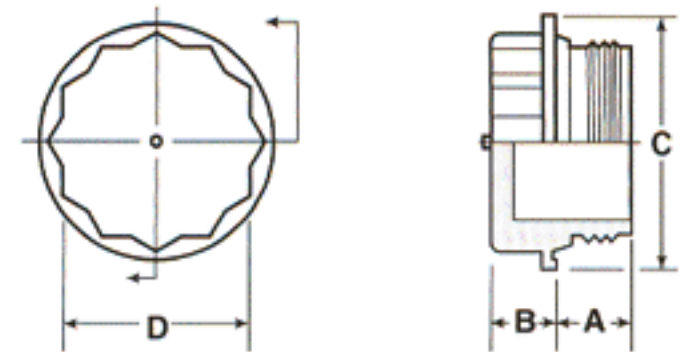
## RPO-M Series Threaded Plugs



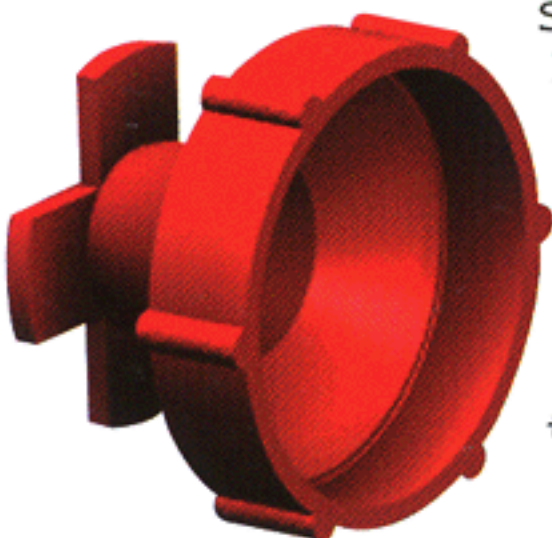
Series RPO-M Plugs provide dual seals on ISO fluid power system metric ports. An integral O-ring-type bead seats snugly into the bevel of the threaded opening to prevent oil or fluid leakage. A 12-point head makes it possible to tighten with socket or wrench.



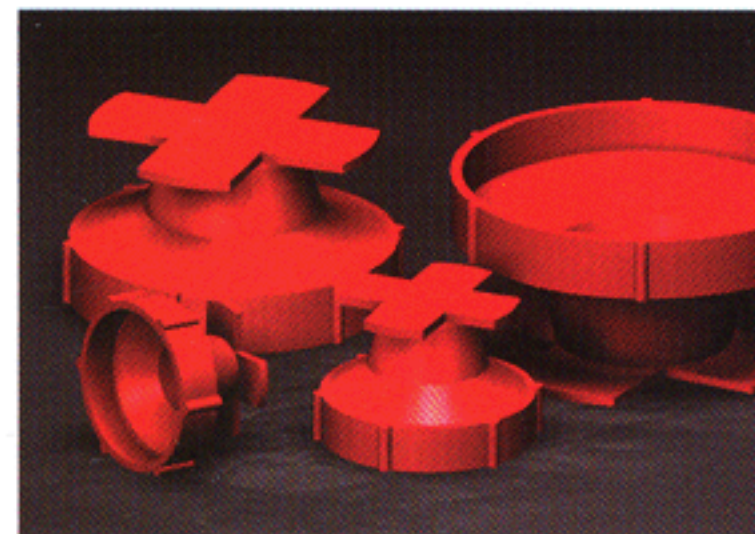
**MATERIAL:** Polypropylene  
**COLOR:** Green



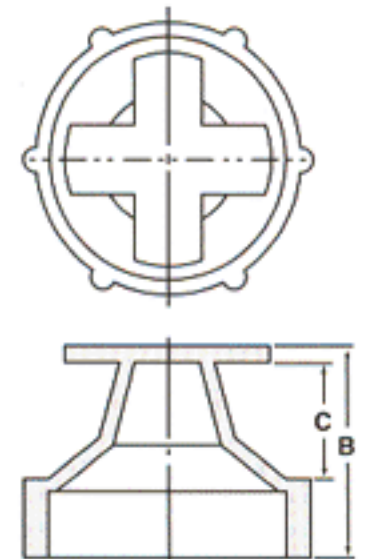
## UTP Series Universal Thread Plugs



Series UTP Universal Thread Plugs offer unique flexibility. Each plug is designed to fit many different thread sizes. Series UTP is excellent for easy installation by just pushing the plug into a female threaded port. A small turn is all that's required to lock the plug in place.



**MATERIAL:** Low Density Polyethylene  
**COLOR:** Red



# threaded PLUGS



Specs.: MIL-C-52078, MIL-C-5501/10, NAS-838

## RP Series

To Fit Thread Size	Dimensions								Packaging				Caplug No.
	A		B		C		D		Standard Carton		Mini Pak Quantity		
	in	mm	in	mm	in	mm	in	mm	Shipping Wt. (Approx.) lbs	kgs		No. of Pieces	
7/16-14	0.43	10.92	0.30	7.62	0.62	15.75	0.28	7.11	11	4.9	5000	1000	RP-7-14
7/16-20	0.43	10.92	0.30	7.62	0.62	15.75	0.28	7.11	11	4.9	5000	1000	RP-7-20
1/2-13	0.495	12.57	0.32	8.13	0.69	17.53	0.26	6.60	15	6.8	5000	1000	RP-8-13
1/2-20	0.50	12.70	0.32	8.13	0.69	17.53	0.25	6.35	15	6.8	5000	1000	RP-8-20
5/8-18	0.56	14.22	0.35	8.89	0.81	20.57	0.27	6.86	19	8.6	5000	1000	RP-10
3/4-16	0.68	17.27	0.44	11.18	0.94	23.88	0.27	6.86	14	6.3	2500	500	RP-12
7/8-14	0.75	19.05	0.50	12.70	1.06	26.93	0.32	8.13	18	8.1	2500	500	RP-14
16mmx1.5mm	0.28	7.11	0.52	13.21	0.89	22.61	-	-	16	7.2	4000	800	RP-M16x1.5

## RPO Series

To Fit Thread Size	Dimensions						12-Point Socket Size D	Packaging				Caplug No.
	A		B		C			Standard Carton		Mini Pak Quantity		
	in	mm	in	mm	in	mm		Shipping Wt. (Approx.) lbs	kgs		No. of Pieces	
7/16-20	0.34	8.64	0.26	6.60	0.66	16.76	3/8	19	8.6	8000	1000	RPO-104
1/2-20	0.34	8.64	0.30	7.62	0.73	18.54	7/16	17	7.6	6000	1000	RPO-105
9/16-18	0.36	9.14	0.30	7.62	0.80	20.32	1/2	18	8.1	6000	1000	RPO-106
3/4-16	0.41	10.41	0.31	7.87	1.02	25.91	11/16	16	7.2	3000	600	RPO-108
7/8-14	0.47	11.94	0.31	7.87	1.16	29.47	13/16	17	7.6	2000	400	RPO-110
1 1/16-12	0.61	15.49	0.31	7.87	1.45	36.83	1	14	6.3	1000	200	RPO-112
1 5/16-12	0.61	15.49	0.33	8.38	1.74	44.20	1 1/4	18	8.1	1000	200	RPO-116
1 5/8-12	0.61	15.49	0.33	8.38	2.17	55.12	1 9/16	19	8.6	700	140	RPO-120

## RPO-M Series

To Fit Thread Size	Dimensions						12-Point Socket Size D	Packaging				Caplug No.
	A		B		C			Standard Carton		Mini Pak Quantity		
	in	mm	in	mm	in	mm		Shipping Wt. (Approx.) lbs	kgs		No. of Pieces	
12x1.5	0.41	10.41	0.34	8.64	0.73	18.54	10	15	6.8	5000	1000	RPO-M12x1.5
14x1.5	0.41	10.41	0.38	9.65	0.81	20.57	12	16	7.2	5000	1000	RPO-M14x1.5
18x1.5	0.41	10.41	0.44	11.18	0.97	24.64	16	18	8.1	3000	600	RPO-M18x1.5
22x1.5	0.41	10.41	0.44	11.18	1.12	28.45	20	17	7.6	2000	400	RPO-M22x1.5
27x2	0.41	10.41	0.44	11.18	1.36	34.54	24	19	8.6	2000	400	RPO-M27x2

## UTP Series

To Fit Thread Size	Dimensions				Packaging				Caplug No.
	B		C		Standard Carton		Mini Pak Quantity		
	in	mm	in	mm	Shipping Wt. (Approx.) lbs	kgs		No. of Pieces	
1/8" NPT, 7/16" UNF, 1/8" BSP, M10	∅	∅	∅	∅	5	2.2	5000	1000	UTP-40
1/2" UNF, 1/4" BSP, M11-12	∅	∅	∅	∅	9	4.1	5000	1000	UTP-50
1/4" NPT, 9/16" UNF, M14	∅	∅	∅	∅	12	5.4	5000	1000	UTP-60
3/4" UNF, 3/8" BSP, M16-20	∅	∅	∅	∅	17	7.7	5000	1000	UTP-80
1" UNF, 1/2"-5/8" BSP, M20-24	∅	∅	∅	∅	17	7.7	3000	600	UTP-100

factory