



PLUGS threaded

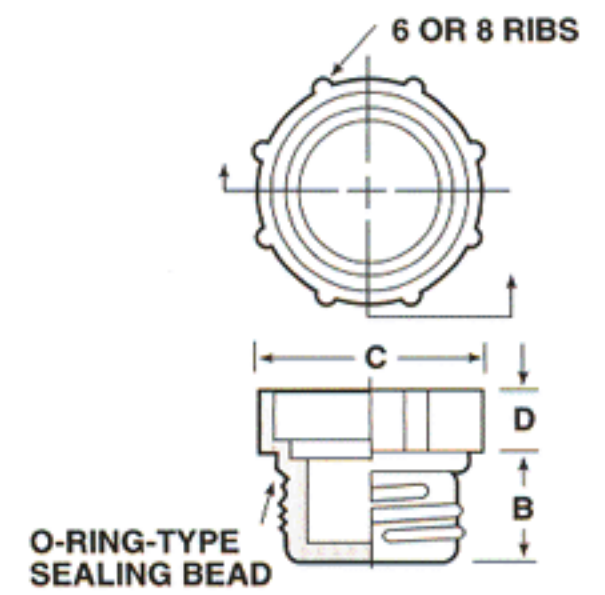
PDO Series Plastic Threaded Plugs for SAE O-Ring Ports



Series PDO Plugs provide positive sealing for SAE straight-threaded O-ring-type ports and MIL-MS-33649 bosses on fluid power components. Integral O-ring type bead seats in the bevel of the port to prevent oil leakage or entrance of contaminants. Seal at outside of knurl protects port face against paint and dirt.



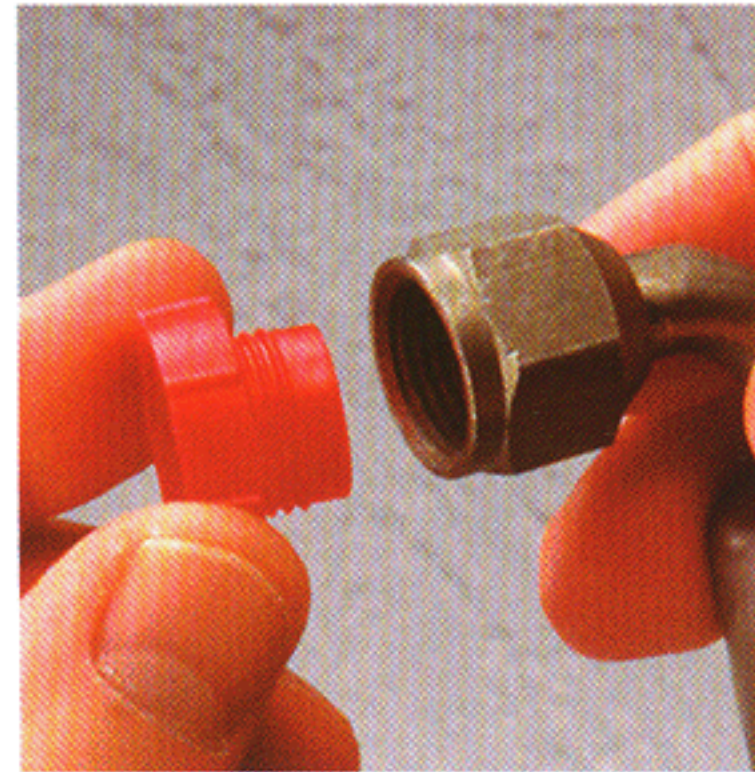
MATERIAL: High Density Polyethylene
COLOR*: Red



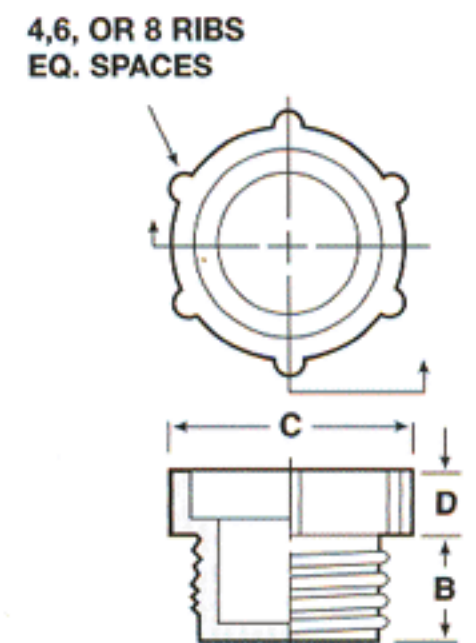
PDI Series Threaded Plastic Plugs for Inverted Flared Fittings



Series PDI Plugs are made for use on inverted flared fittings. Knurled for ease of application, they will seal with light finger tightening. Series PDI Plugs will seal boss type fittings without gaskets.



MATERIAL: Low Density Polyethylene
COLOR*: Red



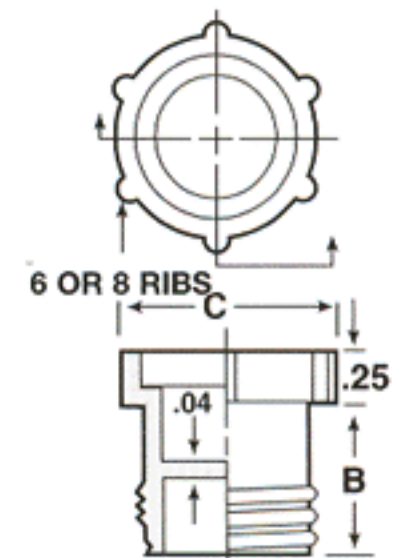
PDE Series Plastic Threaded Plugs for Flareless Tube and Nut Assemblies



Knurled for ease of application, Series PDE Plugs are designed to fit MS-21921 tube and nut assemblies interchangeably. They can be installed with light finger tightening to seal beyond normal requirements.



MATERIAL: Low Density Polyethylene
COLOR*: Red





PDO Series

To Fit Thread Size	Dimensions						Packaging				Caplug No.
	B		C		D		Standard Carton		Mini Pak Quantity		
	in	mm	in	mm	in	mm	Shipping Wt. (Approx.)			No. of Pieces	
lbs	kgs										
7/16-20	0.32	8.13	0.65	16.5	0.38	9.65	11	4.9	5000	1000	PDO-104
1/2-20	0.32	8.13	0.72	18.2	0.38	9.65	12	5.4	5000	1000	PDO-105
9/16-18	0.36	9.14	0.78	19.8	0.38	9.65	15	6.8	5000	1000	PDO-106
3/4-16	0.40	10.16	0.98	24.8	0.38	9.65	11	4.9	2500	500	PDO-108
7/8-14	0.45	11.43	1.11	28.2	0.38	9.65	13	5.8	2500	500	PDO-110
1 1/16-12	0.62	15.75	1.31	33.2	0.38	9.65	19	8.6	2500	500	PDO-112
1 5/16-12	0.62	15.75	1.56	39.6	0.38	9.65	11	4.9	1000	200	PDO-116
1 5/8-12	0.62	15.75	1.88	47.7	0.38	9.65	11	4.9	1000	200	PDO-120

Specs.: MIL-C-52078

PDI Series

To Fit Thread Size	Dimensions						Packaging				Caplug No.
	B		C		D		Standard Carton		Mini Pak Quantity		
	in	mm	in	mm	in	mm	Shipping Wt. (Approx.)			No. of Pieces	
lbs	kgs										
5/16-28	0.22	5.59	0.44	11.2	0.19	4.83	5	2.2	5000	1000	PDI-21
3/8-24	0.25	6.35	0.50	12.7	0.19	4.83	6	2.7	5000	1000	PDI-31
7/16-24	0.27	6.86	0.63	16.0	0.19	4.83	8	3.6	5000	1000	PDI-41
1/2-20	0.28	7.11	0.69	17.5	0.25	6.35	11	4.9	5000	1000	PDI-51
5/8-18	0.31	7.87	0.81	20.6	0.25	6.35	13	5.8	5000	1000	PDI-66
1 1/16-18	0.31	7.87	0.87	22.1	0.25	6.35	15	6.8	5000	1000	PDI-69
3/4-18	0.38	9.65	0.87	22.1	0.25	6.35	17	7.6	5000	1000	PDI-81
1 1/16-16	0.43	10.92	1.19	30.2	0.25	6.35	14	6.3	2500	500	PDI-122

PDE Series

To Fit Thread Size	Dimensions						Packaging				Caplug No.
	B		C		D		Standard Carton		Mini Pak Quantity		
	in	mm	in	mm	in	mm	Shipping Wt. (Approx.)			No. of Pieces	
lbs	kgs										
3/8-24	0.35	8.89	0.56	12.7			8	3.6	5000	1000	PDE-3
7/16-20	0.40	10.16	0.56	14.2			9	4	5000	1000	PDE-4
1/2-20	0.46	11.68	0.63	16.0			11	4.9	5000	1000	PDE-5
9/16-18	0.48	12.19	0.68	17.2			13	5.8	5000	1000	PDE-6
3/4-16	0.54	13.72	0.87	22.1			18	8.1	5000	1000	PDE-8
7/8-14	0.62	15.75	1.00	25.4			12	5.4	2500	500	PDE-10
1 1/16-12	0.64	16.26	1.25	31.7			6	2.7	1000	200	PDE-12
1 5/16-12	0.72	18.29	1.50	38.1			9	4	1000	200	PDE-16