



PLUGS threaded

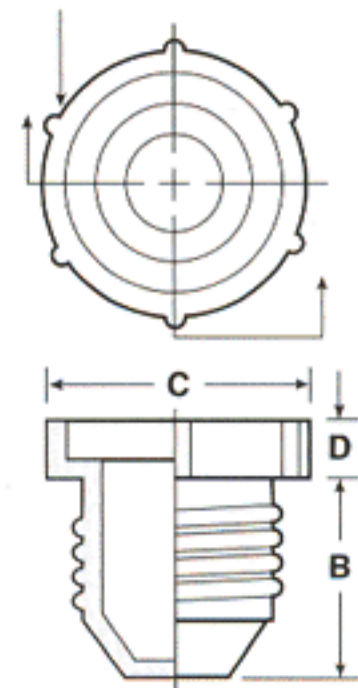
PD Series Threaded Plastic Plugs for Flared JIC Fittings

Series PD Plugs, designed for use on flared JIC fittings, are knurled for ease of application. They will seal low pressure requirements with light finger tightening. PD Plugs can be used to seal 37° flare fittings without gaskets.



MATERIAL: Low Density Polyethylene
COLOR*: Red

4, 6, OR 8 RIBS
EQUALLY SPACED

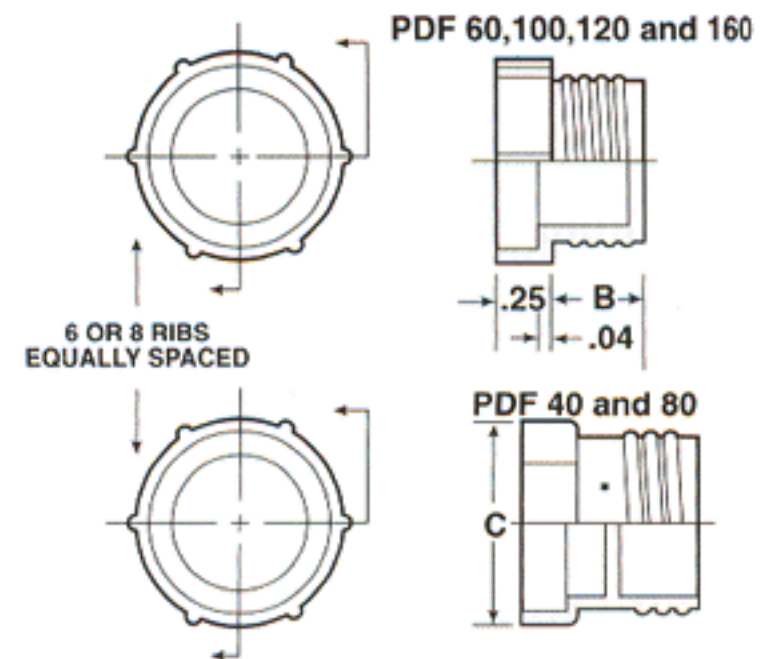


PDF Series Threaded Plastic Plugs for Flat-Faced O-Ring Hydraulic Fittings

Series PDF Plugs are designed for easy mechanical or hand installation on flat-faced O-ring fittings.

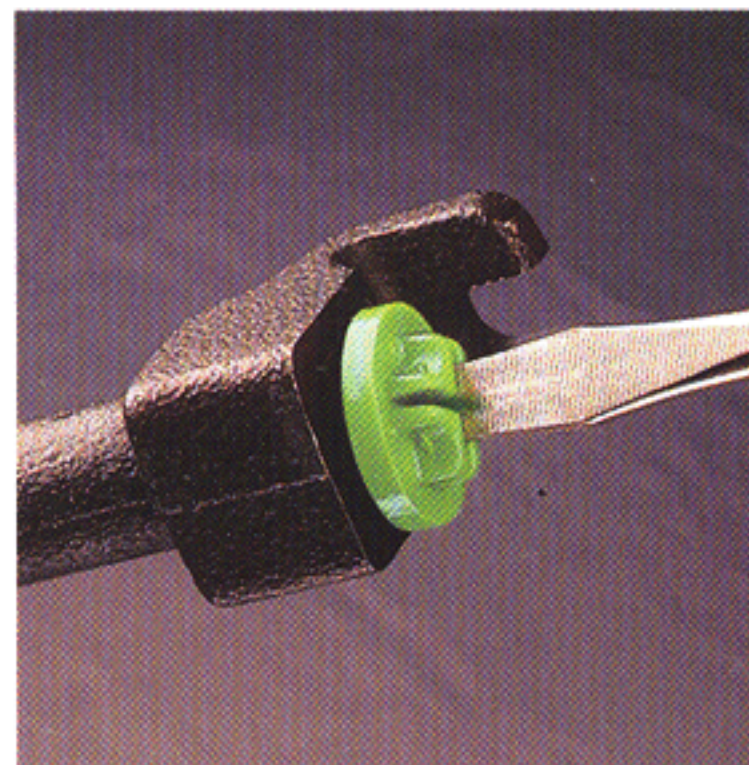


MATERIAL: Low Density Polyethylene
COLOR*: Red

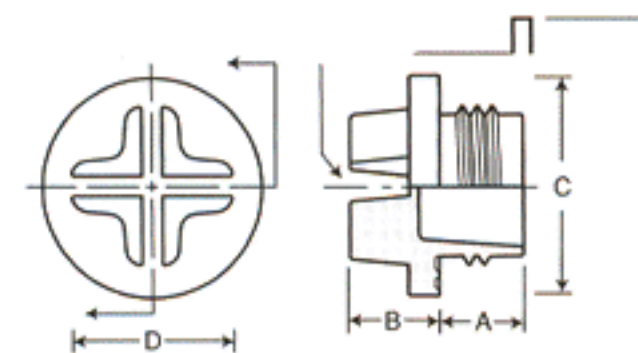


MSP Series Slotted-Head Plastic Plugs For Metric-Threaded Ports

Series MSP Plugs feature two concentric, raised rings on the underside of the flange to provide positive sealing around metric-threaded ports. A cross-slotted head makes it easy to tighten with a screwdriver.



MATERIAL: High Density Polyethylene
COLOR*: Green



threaded PLUGS



cs.: MIL-C-5501/1 (MIL-C-52078, NAS-815), NAS-833

PD Series

Dimensions								Packaging				Caplug No.
To Fit Tube Size	To Fit Thread Size	B		C		D		Standard Carton		Mini Pak Quantity		
		in	mm	in	mm	in	mm	Shipping Wt. (Approx.)				
								lbs	kgs	No. of Pieces		
1/8	5/16-24	0.44	11.2	0.44	11.18	0.18	4.57	5	2.2	5000	1000	PD-20
3/16	3/8-24	0.46	11.7	0.50	12.70	0.18	4.57	7	3.1	5000	1000	PD-30
1/4	7/16-20	0.53	13.5	0.62	15.75	0.19	4.83	9	4	5000	1000	PD-40
5/16	1/2-20	0.53	13.5	0.68	17.27	0.25	6.35	12	5.4	5000	1000	PD-50
3/8	9/16-18	0.50	12.7	0.81	20.57	0.25	6.35	13	5.8	5000	1000	PD-60
3/8	5/8-18	0.59	15.0	0.81	20.57	0.25	6.35	16	7.2	5000	1000	PD-65
1/2	3/4-16	0.75	19.1	0.94	23.88	0.25	6.35	12	5.4	2500	500	PD-80
5/8	7/8-14	0.87	22.1	1.06	26.93	0.25	6.35	16	7.2	2500	500	PD-100
3/4	1 1/16-12	0.89	22.6	1.25	31.75	0.25	6.35	21	9.4	2500	500	PD-120
3/4	1 1/16-14	1.12	28.5	1.31	33.28	0.25	6.35	10	4.5	1000	200	PD-121
7/8	1 3/16-12	0.93	23.6	1.40	35.56	0.25	6.35	21	9.4	2500	500	PD-140
1	1 5/16-12	0.93	23.6	1.50	38.10	0.25	6.35	10	4.5	1000	200	PD-160
-	1 1/2-12	0.93	23.6	1.75	44.45	0.25	6.35	13	5.8	1000	200	PD-180
1 1/4	1 5/8-12	0.93	23.6	2.00	50.80	0.25	6.35	15	6.8	1000	200	PD-200
-	1 3/4-12	0.95	24.1	2.19	55.63	0.25	6.35	17	7.6	1000	200	PD-220
1 1/2	1 7/8-12	1.15	29.2	2.31	58.68	0.31	7.87	12	5.4	500	100	PD-240
1 3/4	2 1/4-12	1.31	33.3	2.63	66.80	0.31	7.87	18	8.1	500	100	PD-280
2	2 1/2-12	1.31	33.3	2.94	74.68	0.31	7.87	19	8.6	500	100	PD-320

PDF Series

Dimensions							Packaging				Caplug No.
To Fit Tube Size	To Fit Thread Size	B		C		Shipping Wt. (Approx.)		No. of Pieces	Mini Pak Quantity		
		in	mm	in	mm	lbs	kgs				
1/4	9/16-18	0.48	12.19	0.68	17.27	13	5.8	5000	1000	PDE-6 (PDF-40)	
3/8	11/16-16	0.44	11.18	0.87	22.10	15	6.8	5000	1000	PDF-60	
1/2	13/16-16	0.50	12.70	0.94	23.88	19	8.6	5000	1000	PDF-80	
5/8	1-14	0.59	14.99	1.16	29.47	12	5.4	2500	500	PDF-100	
3/4	1 3/16-12	0.63	16.00	1.33	33.78	15	6.8	2500	500	PDF-120	
1	1 7/16-12	0.75	19.05	1.63	41.40	10	4.5	1000	200	PDF-160	

MSP Series

Dimensions									Packaging				Caplug No.
To Fit Thread Size	A		B		C		D		Shipping Wt. (Approx.)		No. of Pieces	Mini Pak Quantity	
	in	mm	in	mm	in	mm	in	mm	lbs	kgs			
14mmx1.5mm	.33	8.30	.32	8.20	.86	21.80	.59	15.00	17	7.7	4000	800	MSP-14x1.5
16mmx1.5mm	.33	8.50	.24	9.00	.86	21.80	.63	16.00	17	7.7	4000	800	MSP-16x1.5