



EDGE LINERS & GROMMETS

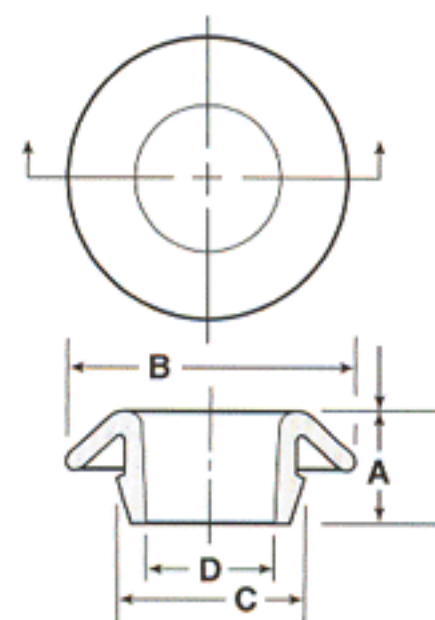
GRO Series Grommets for Holes in Sheet Metal



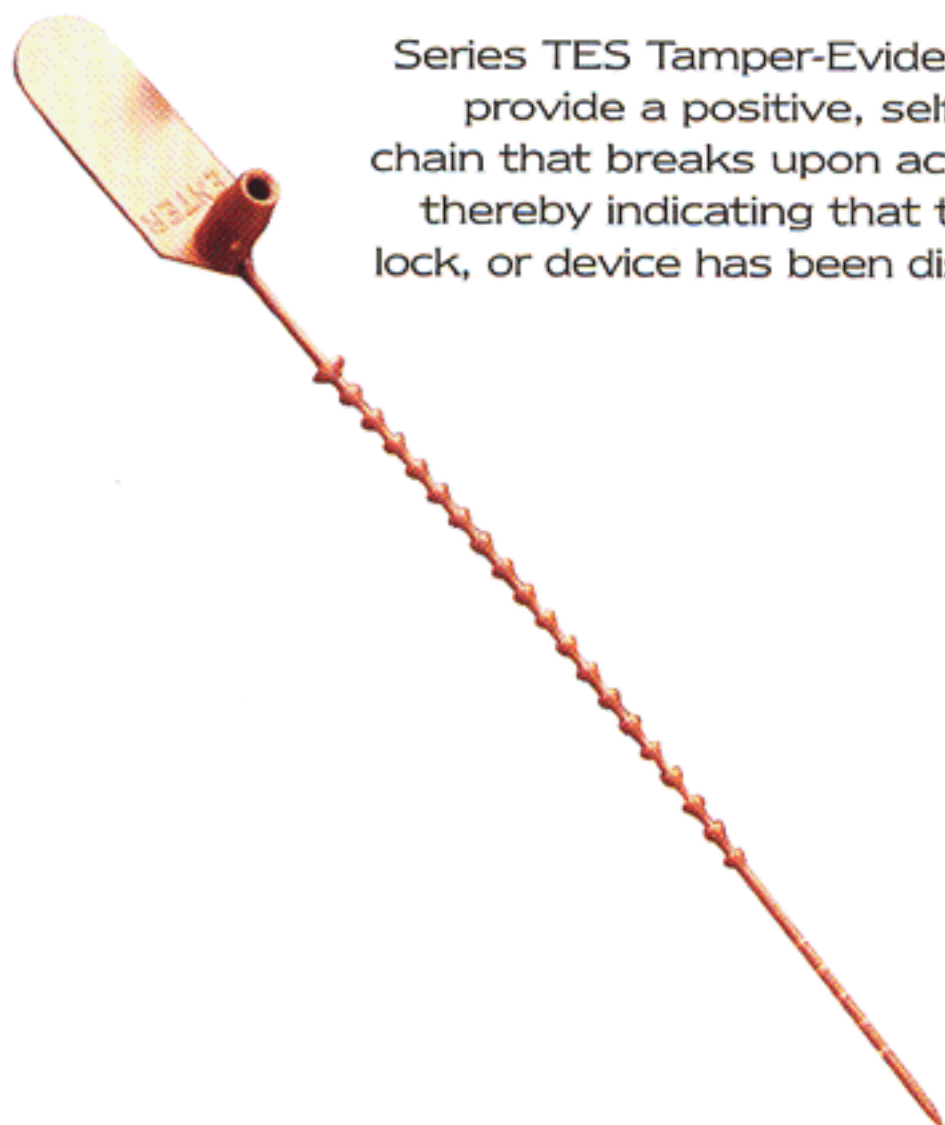
Mechanical protection for hoses, tubing, shafts, rods, and cables as they pass through holes in sheet metal is provided by Series GRO grommets. Easily snapped in place, they are held securely by a molded bead until deliberately removed. U.L. approved for applications up to 221°F (105°C).



MATERIAL*: Flex Temp
COLOR*: Black



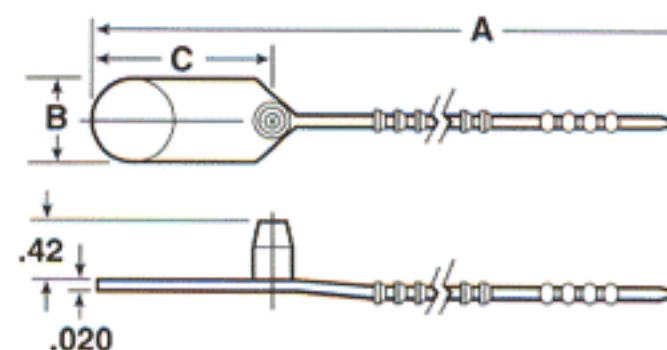
TES Series Tamper-Evident Seal



Series TES Tamper-Evident Seals provide a positive, self-locking chain that breaks upon activating, thereby indicating that the seal, lock, or device has been disturbed.



MATERIAL*: Polypropylene
COLOR*: Black, Blue, Brown, Green, Orange, Pink, Purple, Red, White, Yellow





GRO Series

Dimensions												Packaging				Caplug No.
Hole Size		Metal Thickness		A		B		C		D		Standard Carton		Mini Pak Quantity		
in	mm	in	mm	in	mm	in	mm	in	mm	in	mm	Shipping Wt. (Approx.) lbs	kgs		No. of Pieces	
0.500	12.70	.03-.08	.76-2.03	0.28	7.11	0.81	20.57	0.54	13.72	0.41	10.41	6	2.7	5000	1000	GRO-1/2-UL
0.625	15.88	.03-.08	.76-2.03	0.31	7.87	0.93	23.62	0.66	16.76	0.52	13.21	8	3.6	5000	1000	GRO-5/8-UL
0.750	19.05	.03-.08	.76-2.03	0.35	8.89	1.06	26.93	0.79	20.07	0.65	16.51	10	4.5	5000	1000	GRO-3/4-UL
0.875	22.23	.03-.08	.76-2.03	0.35	8.89	1.19	30.22	0.91	23.11	0.77	19.55	15	6.8	5000	1000	GRO-7/8-UL
1.000	25.40	.03-.08	.76-2.03	0.35	8.89	1.32	33.53	1.04	26.42	0.89	22.61	12	5.4	5000	1000	GRO-1-UL
1.250	31.75	.03-.08	.76-2.03	0.35	8.89	1.60	40.64	1.29	32.77	1.12	28.45	11	4.9	2500	500	GRO-1-1/4-UL

TES Series

Dimensions						Packaging				Caplug No.
A		B		C		Standard Carton		Mini Pak Quantity		
in	mm	in	mm	in	mm	Shipping Wt. (Approx.) lbs	kgs		No. of Pieces	
5.38	136.66	0.50	12.70	1.13	28.70	10	4.5	5000	N/A	TES-1