

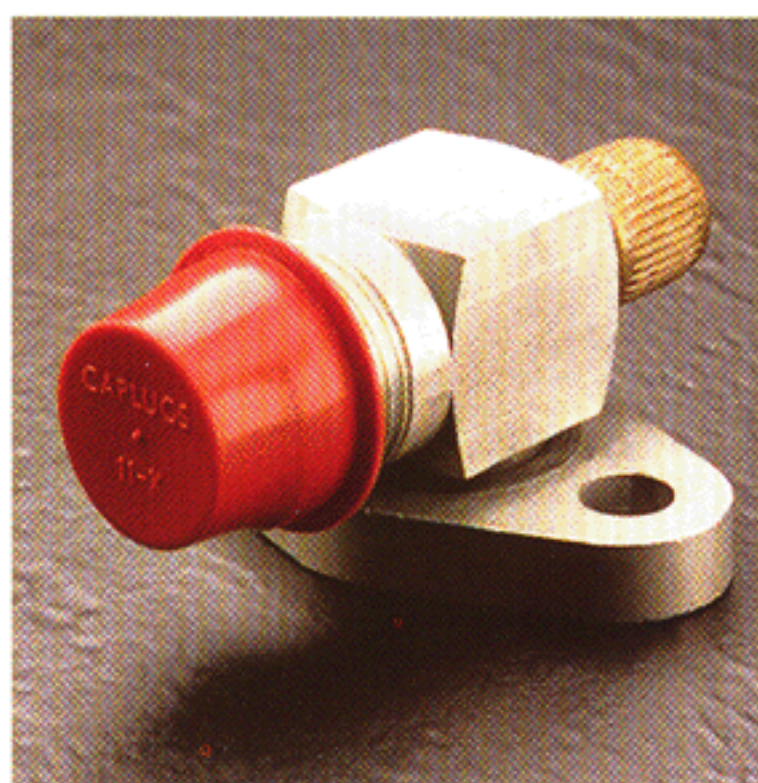
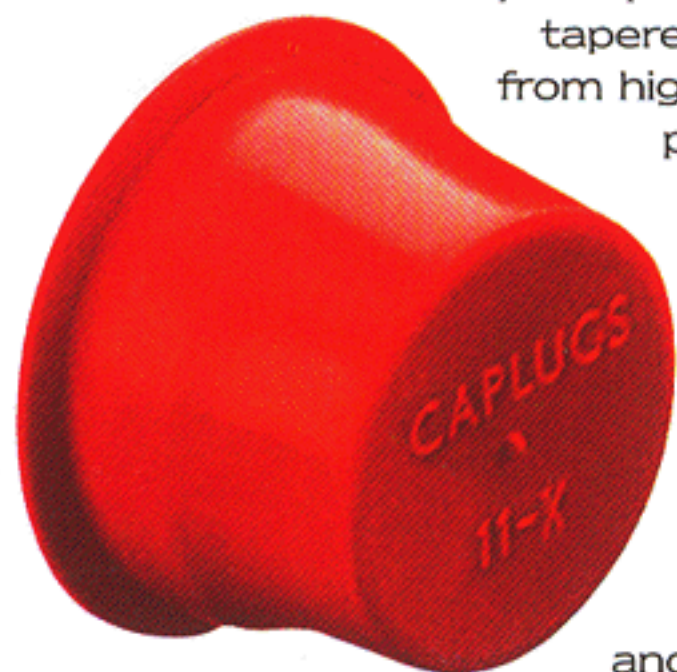


# CAPS non-threaded

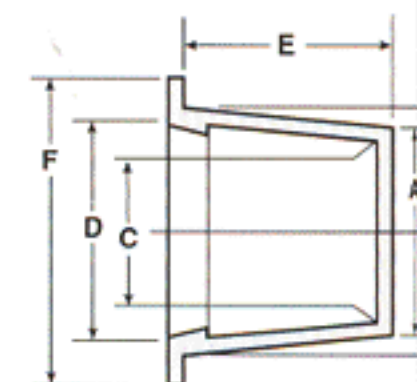
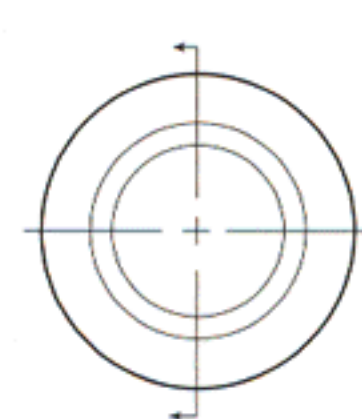
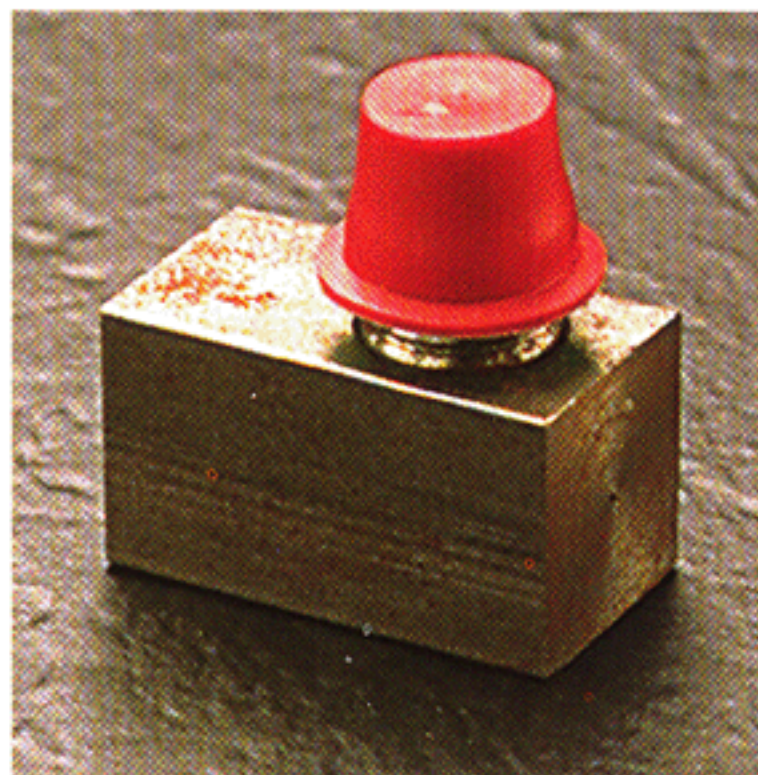
## T Series Tapered Caps

Tapered Caplugs can be used as either caps or plugs. Because they are tapered in design and made from highly pliable (or flexible) polyethylene, they can not only be applied to fit snugly but are also readily removable. Especially recommended for use on MIL Std. and SAE-type tube and hydraulic fittings and for threaded external and internal NPT fittings.

Popular size Tapered Caplugs are stocked also in green FlexTemp, a flexible thermoplastic rubber for extreme temperature applications ranging from -90°F to 300°F (-68°C to 149°C).



**MATERIAL:** Low Density Polyethylene  
**COLOR\*:** Red



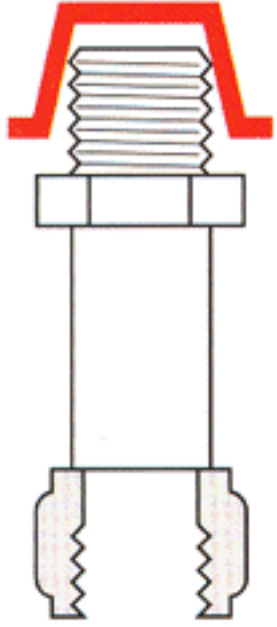


## T Series

Applicable Specs.: MIL-C-5501/7 (MIL-C-52078), NAS-834

### Selection Charts

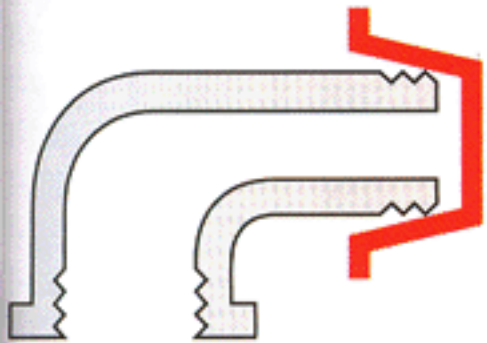
#### Recommended closures for tube and hydraulic fittings\*\*



Caplug No.	Fitting Size (Dash No.)	Tubing Outside Diameter	To Fit Thread Size	Caplug No.
T-2	-2	1/8	5/16 - 24	T-2
T-3-X	-3	3/16	3/8 - 24	T-3-X
T-4-X	-4	1/4	7/16 - 20	T-4-X
T-5	-5	5/16	1/2 - 20	T-5
T-6-X	-6	3/8	9/16 - 18	T-6-X
T-7	-	3/8	5/8 - 18	T-7
T-9-X	-8	1/2	3/4 - 16	T-9-X
T-11-X	-10	5/8	7/8 - 14	T-11-X
T-13-X	-12	3/4	1 1/16 - 12	T-13-X
T-15-X	-16	1	1 5/16 - 12	T-15-X
T-18	-20	1 1/4	1 5/8 - 12	T-18
T-20	-24	1 1/2	1 7/8 - 12	T-20
T-230	-28	1 3/4	2 1/4 - 12	T-230
T-250	-32	2	2 1/2 - 12	T-250

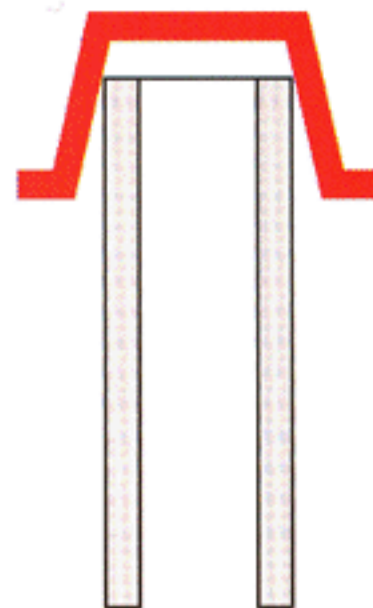
#### Recommended closures for threaded external NPT fittings\*\*\*

Based on average tapped hole fit. It is suggested that sample Caplugs be tried for size before ordering in quantity.



Caplug No.	NPT Size	Caplug No.
T-4	1/8	T-4
T-6	1/4	T-6
T-8-X	3/8	T-8-X
T-11	1/2	T-11
T-13-X	3/4	T-13-X
T-15-X	1	T-15-X
T-18	1 1/4	T-18
T-20	1 1/2	T-20
T-240	2	T-240
T-45-A	2 1/2	T-45-A
T-96-A	3	T-96-A
T-502	3 1/2	T-502
T-1072	4	T-1072
T-1086	5	T-1086
T-1103	6	T-1103

#### Recommended closures for unthreaded standard weight pipe\*\*\*



Caplug No.	Size	Caplug No.
T-4	1/8	T-4
T-6-X	1/4	T-6-X
T-8-X	3/8	T-8-X
T-11	1/2	T-11
T-13-X	3/4	T-13-X
T-16	1	T-16
T-18-X	1 1/4	T-18-X
T-210	1 1/2	T-210
T-240	2	T-240
T-45-A	2 1/2	T-45-A
T-1050	3	T-1050
T-1064	3 1/2	T-1064
T-1072	4	T-1072
T-1107	6	T-1107
T-1139	8	T-1139

\*\*For other tapered style caps see:

Series	Pages
WW	22-23
W	24-25
WWX	24-25
PTC	34-35

\*\*\*For threaded caps see:

Series	Pages
CD	76-77
ASC	76-77
PC	78-79

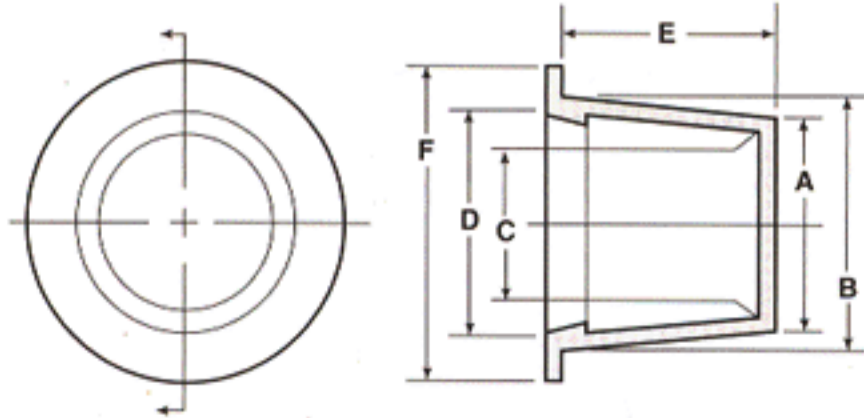


# CAPS non-threaded

## T Series Tapered Caplugs (cont'd)

EXPANDED

Caplug No.	Dimensions												Packaging			
	A		B		C		D		E		F		Standard Carton		Mini Pak Quantity	
	in	mm	in	mm	in	mm	in	mm	in	mm	in	mm	Shipping Wt. (Approx.) lbs	kgs		No. of Pieces
<i>T-00</i>	.116	2.95	.182	4.62	.053	1.35	.120	3.05	.38	9.65	.31	7.87	2	0.9	5000	1000
<i>T-00-S</i>	.140	3.56	.180	4.57	.088	2.24	.109	2.77	.22	5.59	.31	7.87	4	1.8	5000	1000
<i>T-00-X</i>	.145	3.68	.205	5.21	.079	2.01	.150	3.81	.38	9.65	.41	10.41	3	1.3	5000	1000
<i>T-0</i>	.173	4.39	.240	6.10	.111	2.82	.177	4.50	.38	9.65	.38	9.65	3	1.3	5000	1000
<i>T-1</i>	.236	5.99	.302	7.67	.174	4.42	.240	6.10	.38	9.65	.44	11.18	3	1.3	5000	1000
<i>T-1-X</i>	.267	6.78	.335	8.51	.205	5.21	.273	6.93	.38	9.65	.47	11.94	4	1.8	5000	1000
<i>T-2</i>	.299	7.59	.365	9.27	.235	5.97	.302	7.67	.38	9.65	.50	12.70	4	1.8	5000	1000
<i>T-2-S</i>	.325	8.26	.367	9.32	.263	6.68	.305	7.75	.19	4.83	.50	12.70	3	1.3	5000	1000
<i>T-2-X</i>	.330	8.38	.396	10.06	.267	6.78	.333	8.46	.38	9.65	.53	13.46	4	1.8	5000	1000
<i>T-3</i>	.361	9.17	.427	10.85	.298	7.57	.365	9.27	.38	9.65	.56	14.22	5	2.2	5000	1000
<i>T-3-X</i>	.390	9.91	.456	11.58	.327	8.31	.394	10.01	.38	9.65	.59	14.99	6	2.7	5000	1000
<i>T-4</i>	.419	10.64	.485	12.32	.356	9.04	.422	10.72	.38	9.65	.63	16.00	6	2.7	5000	1000
<i>T-4-X</i>	.447	11.35	.513	13.03	.385	9.78	.451	11.46	.38	9.65	.66	16.76	6	2.7	5000	1000
<i>T-5</i>	.471	11.96	.547	13.89	.409	10.39	.485	12.32	.44	11.18	.69	17.53	7	3.1	5000	1000
<i>T-5-S</i>	.533	13.54	.562	14.28	.477	12.12	.506	12.85	.22	5.59	.68	17.27	5	2.2	5000	1000
<i>T-5-X</i>	.500	12.70	.576	14.63	.440	11.18	.516	13.11	.44	11.18	.72	18.29	7	3.1	5000	1000
<i>T-6</i>	.532	13.51	.608	15.44	.468	11.89	.545	13.84	.44	11.18	.75	19.05	8	3.6	5000	1000
<i>T-6-S</i>	.554	14.07	.612	15.55	.490	12.45	.551	14.00	.31	7.87	.75	19.05	6	2.7	5000	1000
<i>T-6-X</i>	.550	13.97	.631	16.03	.487	12.37	.568	14.43	.47	11.94	.75	19.05	8	3.6	5000	1000
<i>T-7</i>	.580	14.73	.667	16.94	.518	13.16	.605	15.37	.50	12.70	.81	20.57	9	4.0	5000	1000
<i>T-7-X</i>	.610	15.49	.695	17.65	.549	13.95	.634	16.10	.50	12.70	.84	21.34	10	4.5	5000	1000
<i>T-8</i>	.640	16.26	.727	18.47	.578	14.68	.664	16.87	.50	12.70	.88	22.35	10	4.5	5000	1000
<i>T-8-S</i>	.669	16.99	.694	17.63	.613	15.57	.638	16.21	.19	4.83	.75	19.05	7	3.1	5000	1000
<i>T-8-X</i>	.675	17.15	.755	19.18	.613	15.57	.693	17.60	.50	12.70	.88	22.35	10	4.5	5000	1000
<i>T-9</i>	.690	17.53	.788	20.02	.628	15.95	.726	18.44	.56	14.22	.94	23.88	13	5.8	5000	1000
<i>T-9-S</i>	.740	18.80	.765	19.43	.678	17.22	.703	17.86	.19	4.83	.88	22.35	7	3.1	5000	1000
<i>T-9-X</i>	.725	18.42	.823	20.91	.663	16.84	.761	19.33	.56	14.22	.97	24.64	13	5.8	5000	1000
<i>T-10</i>	.750	19.05	.848	21.54	.687	17.45	.785	19.94	.56	14.22	1.00	25.40	13	5.8	5000	1000
<i>T-11</i>	.802	20.37	.911	23.14	.740	18.80	.849	21.57	.63	16.00	1.06	26.93	15	6.8	5000	1000
<i>T-11-X</i>	.815	20.70	.930	23.62	.753	19.13	.868	22.05	.63	16.00	1.09	27.69	16	7.2	5000	1000
<i>T-11-S</i>	.837	21.26	.890	22.61	.757	19.23	.810	20.57	.22	5.59	1.05	26.67	12	5.4	5000	1000
<i>T-12</i>	.866	22.00	.975	24.77	.803	20.40	.912	23.17	.63	16.00	1.13	28.70	17	7.6	5000	1000
<i>T-12-X</i>	.915	23.24	1.040	26.42	.855	21.72	.980	24.89	.69	17.53	1.16	29.47	18	8.1	5000	1000
<i>T-13-A</i>	.960	24.38	1.047	26.59	.900	22.86	.987	25.07	.50	12.70	1.19	30.23	17	7.6	5000	1000
<i>T-13</i>	.964	24.49	1.090	27.69	.901	22.89	1.027	26.09	.75	19.05	1.25	31.75	12	5.4	2500	500
<i>T-13-X</i>	.995	25.27	1.145	29.08	.933	23.70	1.083	27.51	.75	19.05	1.31	33.28	12	5.4	2500	500
<i>T-14</i>	1.094	27.79	1.215	30.86	1.031	26.19	1.152	29.26	.75	19.05	1.41	35.82	14	6.3	2500	500
<i>T-14-X</i>	1.175	29.85	1.284	32.61	1.113	28.27	1.222	31.04	.63	16.00	1.44	36.58	14	6.3	2500	500
<i>T-15-A</i>	.836	21.24	1.305	33.15	.777	19.74	1.247	31.68	1.06	26.93	1.43	36.32	15	6.8	2500	500
<i>T-15</i>	1.224	31.09	1.355	34.42	1.161	29.49	1.292	32.82	.75	19.05	1.50	38.10	15	6.8	2500	500
<i>T-15-X</i>	1.235	31.37	1.360	34.55	1.173	29.80	1.298	32.97	.81	20.57	1.50	38.10	16	7.2	2500	500
<i>T-15-S</i>	1.285	32.64	1.346	34.19	1.227	31.17	1.288	32.72	.38	9.65	1.47	37.34	19	8.6	5000	1000
<i>T-16-A</i>	1.140	28.96	1.420	36.07	1.085	27.56	1.358	34.49	.81	20.57	1.56	39.63	14	6.3	2500	500
<i>T-16</i>	1.312	33.33	1.465	37.21	1.249	31.73	1.402	35.61	.88	22.35	1.63	41.40	19	8.6	2500	500
<i>T-16-S</i>	1.395	35.43	1.465	37.21	1.345	34.16	1.405	35.69	.39	9.91	1.59	40.39	5	2.2	1000	200
<i>T-17-A</i>	1.239	31.47	1.507	38.28	1.169	29.69	1.437	36.50	.75	19.05	1.63	41.40	16	7.2	2500	500
<i>T-17</i>	1.447	36.76	1.600	40.64	1.384	35.15	1.537	39.04	.88	22.35	1.75	44.45	9	4.0	1000	200
<i>T-17-S</i>	1.513	38.43	1.600	40.64	1.451	36.86	1.537	39.04	.50	12.70	1.75	44.45	16	7.2	2500	500
<i>T-18</i>	1.560	39.63	1.682	42.72	1.498	38.05	1.620	41.15	.75	19.05	1.88	47.75	9	4.0	1000	200
<i>T-18-X</i>	1.630	41.40	1.750	44.45	1.568	39.83	1.688	42.88	.75	19.05	1.94	49.28	10	4.5	1000	200
<i>T-19</i>	1.750	44.45	1.880	47.75	1.688	42.88	1.818	46.18	.75	19.05	2.00	50.80	9	4.0	1000	200
<i>T-20-A</i>	1.440	36.58	1.895	48.13	1.378	35.00	1.833	46.56	1.28	32.51	2.06	52.33	11	4.9	1000	200
<i>T-20</i>	1.780	45.21	1.950	49.53	1.718	43.64	1.888	47.96	1.00	25.40	2.13	54.10	12	5.4	1000	200
<i>T-20-S</i>	1.781	45.24	1.805	45.85	1.722	43.74	1.746	44.35	.38	9.65	2.00	50.80	7	3.1	1000	200
<i>T-210</i>	1.844	46.84	2.000	50.80	1.781	45.24	1.938	49.23	1.00	25.40	2.13	54.10	12	5.4	1000	200



**WHEN CAPPING**  
"C" Dim. must be at least 1% smaller than diameter to be capped. Minimum .020".

Note: part number in *red italics* also available from stock in FlexTerm

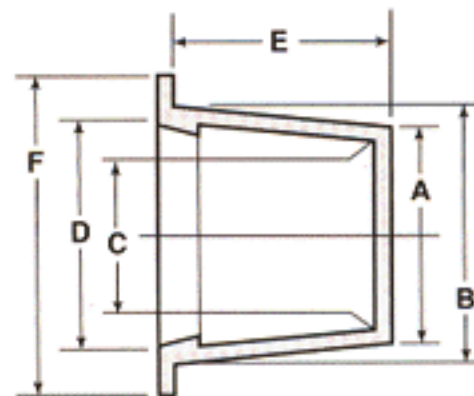
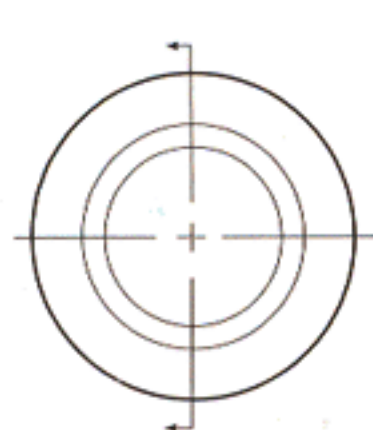
# non-threaded CAPS



## T Series (cont'd)

Specs.: MIL-C-5501/7 (MIL-C-52078), NAS-834

Dimensions												Packaging				Caplug No.
A		B		C		D		E		F		Standard Carton		Mini Pak Quantity		
in	mm	in	mm	in	mm	in	mm	in	mm	in	mm	Shipping Wt. (Approx.) lbs	kgs		No. of Pieces	
1.738	44.15	2.163	54.94	1.668	42.37	2.093	53.16	1.18	29.97	2.31	58.68	13	5.8	1000	200	T-21-A
1.900	48.26	2.076	52.73	1.837	46.66	2.013	51.13	1.00	25.40	2.25	57.15	14	6.3	1000	200	T-21
1.975	50.17	2.132	54.15	1.913	48.59	2.070	52.58	1.00	25.40	2.25	57.15	13	5.8	1000	200	T-220
1.935	49.15	2.310	58.68	1.875	47.63	2.255	57.28	.85	21.59	2.47	62.74	12	5.4	1000	200	T-22-A
2.015	51.18	2.147	54.54	1.953	49.61	2.085	52.96	.75	19.05	2.31	58.68	12	5.4	1000	200	T-22-S
2.067	52.50	2.243	56.97	2.005	50.93	2.181	55.40	1.00	25.40	2.44	61.98	13	5.8	1000	200	T-221
2.136	54.26	2.312	58.73	2.074	52.68	2.250	57.15	1.00	25.40	2.56	65.03	15	6.8	1000	200	T-230
2.230	56.64	2.260	57.41	2.168	55.07	2.198	55.83	.50	12.70	2.50	63.50	12	5.4	1000	200	T-24-S
2.125	53.98	2.406	61.11	2.063	52.40	2.344	59.54	1.00	25.40	2.53	64.26	14	6.3	1000	200	T-25-A
2.298	58.37	2.464	62.59	2.235	56.77	2.401	60.99	1.00	25.40	2.63	66.80	10	4.5	500	100	T-240
2.395	60.84	2.602	66.09	2.333	59.26	2.540	64.52	1.03	26.16	2.81	71.38	10	4.5	500	100	T-250
2.480	62.99	2.644	67.16	2.418	61.42	2.582	65.59	.63	16.00	2.78	70.61	14	6.3	1000	200	T-33-A1
2.307	58.60	2.650	67.31	2.245	57.03	2.588	65.74	1.25	31.75	2.78	70.61	10	4.5	500	100	T-33-A
2.457	62.41	2.750	69.85	2.395	60.84	2.688	68.28	1.00	25.40	2.88	73.15	11	4.9	500	100	T-43-A
2.555	64.90	2.690	68.33	2.493	63.32	2.628	66.75	.63	16.00	2.88	73.15	16	7.2	1000	200	T-43-X
2.641	67.08	2.790	70.87	2.579	65.51	2.728	69.29	.75	19.05	2.94	74.68	9	4.0	500	100	T-44
2.760	70.11	2.990	75.95	2.685	68.20	2.947	74.86	1.00	25.40	3.13	79.51	10	4.5	500	100	T-45-A
2.849	72.37	2.980	75.69	2.787	70.79	2.918	74.12	.75	19.05	3.25	82.55	10	4.5	500	100	T-500
2.975	75.57	3.103	78.82	2.915	74.04	3.041	77.24	.75	19.05	3.34	84.84	11	4.9	500	100	T-53
2.982	75.75	3.245	82.43	2.912	73.97	3.175	80.65	1.00	25.40	3.38	85.86	12	5.4	500	100	T-55-A
3.090	78.49	3.370	85.60	3.020	76.71	3.300	83.82	1.00	25.40	3.50	88.90	15	6.8	500	100	T-57-A
3.325	84.46	3.457	87.81	3.245	82.43	3.377	85.78	.75	19.05	3.63	92.21	9	4.0	250	50	T-501
3.270	83.06	3.562	90.48	3.200	81.28	3.492	88.70	1.13	28.70	3.69	93.73	9	4.0	250	50	T-96-A
3.47	88.14	3.60	91.44	3.41	86.62	3.54	89.92	.75	19.05	3.88	98.56	16	7.2	500	100	T-1050
3.55	90.17	3.73	94.75	3.48	88.40	3.66	92.97	1.00	25.40	4.00	101.60	10	4.5	250	50	T-1051
3.68	93.48	3.80	96.52	3.61	91.70	3.73	94.75	.75	19.05	4.00	101.60	9	4.0	250	50	T-1052
3.79	96.27	3.92	99.57	3.71	94.24	3.84	97.54	.75	19.05	4.12	104.65	9	4.0	250	50	T-502
3.93	99.83	4.07	103.38	3.86	98.05	4.00	101.60	.75	19.05	4.38	111.26	10	4.5	250	50	T-1063
4.02	102.11	4.14	105.16	3.94	100.08	4.07	103.38	.75	19.05	4.53	115.07	11	4.9	250	50	T-1064
4.09	103.89	4.32	109.73	4.01	101.86	4.24	107.70	1.25	31.75	4.62	117.35	14	6.3	250	50	T-1067
4.27	108.46	4.43	112.53	4.18	106.18	4.34	110.24	.88	22.35	4.88	123.96	15	6.8	250	50	T-1070
4.37	111.00	4.62	117.35	4.29	108.97	4.54	115.32	1.00	25.40	5.00	127.01	14	6.3	250	50	T-1072
4.64	117.86	4.85	123.19	4.57	116.08	4.78	121.42	.88	22.35	5.25	133.36	14	6.3	250	50	T-1076
4.79	121.67	4.97	126.24	4.71	119.64	4.89	124.21	1.00	25.40	5.38	136.66	16	7.2	250	50	T-1078
4.91	124.72	5.09	129.29	4.83	122.69	5.01	127.26	1.00	25.40	5.50	139.71	15	6.8	250	50	T-1079
4.99	126.75	5.20	132.09	4.92	124.97	5.10	129.55	1.00	25.40	5.63	143.01	16	7.2	250	50	T-1080
5.18	131.58	5.36	136.15	5.11	129.80	5.29	134.37	1.00	25.40	5.88	149.36	19	8.6	250	50	T-1084
5.33	135.39	5.49	139.45	5.21	132.34	5.37	136.40	.88	22.35	5.88	149.36	19	8.6	250	50	T-1086
5.47	138.94	5.62	142.75	5.39	136.91	5.54	140.72	1.00	25.40	6.13	155.71	18	8.1	250	50	T-1088
5.57	141.48	5.75	146.06	5.49	139.45	5.67	144.02	1.00	25.40	6.19	157.23	19	8.6	250	50	T-1090
5.70	144.79	5.87	149.10	5.61	142.50	5.79	147.07	.98	24.89	6.25	158.76	19	8.6	250	50	T-1092
6.01	152.66	6.18	156.98	5.92	150.37	6.10	154.95	1.00	25.40	6.62	168.15	19	8.6	250	50	T-1097
6.18	156.98	6.35	161.30	6.09	154.69	6.26	159.01	1.00	25.40	6.75	171.46	10	4.5	100	20	T-1100
6.40	162.57	6.56	166.63	6.33	160.79	6.49	164.85	.87	22.10	6.94	176.28	10	4.5	100	20	T-1103
6.61	167.90	6.71	170.44	6.53	165.87	6.63	168.41	1.50	38.10	7.19	182.63	13	5.8	100	20	T-1107
6.88	174.75	7.03	178.56	6.80	172.72	6.95	176.53	.50	12.70	7.67	194.82	12	5.4	100	20	T-1108-S
7.05	179.08	7.12	180.86	6.97	177.04	7.06	179.33	1.00	25.40	7.63	193.81	14	6.3	100	20	T-1109
7.34	186.44	7.65	194.32	7.26	184.41	7.56	192.03	1.00	25.40	7.94	201.68	13	5.8	100	20	T-1110
7.66	194.57	7.84	199.14	7.58	192.54	7.76	197.11	1.00	25.40	8.12	206.26	12	5.4	100	20	T-1120
7.97	202.45	8.14	206.76	7.88	200.16	8.05	204.48	1.00	25.40	8.38	212.86	13	5.8	100	20	T-1128
8.15	207.02	8.35	212.10	8.05	204.48	8.25	209.56	1.38	35.05	8.75	222.26	10	4.5	50	10	T-1133
8.40	213.37	8.60	218.45	8.30	210.83	8.50	215.91	1.38	35.05	9.00	228.61	10	4.5	50	10	T-1137
8.67	220.23	8.73	221.75	8.55	217.18	8.60	218.45	1.50	38.10	9.13	231.91	11	4.9	50	10	T-1139

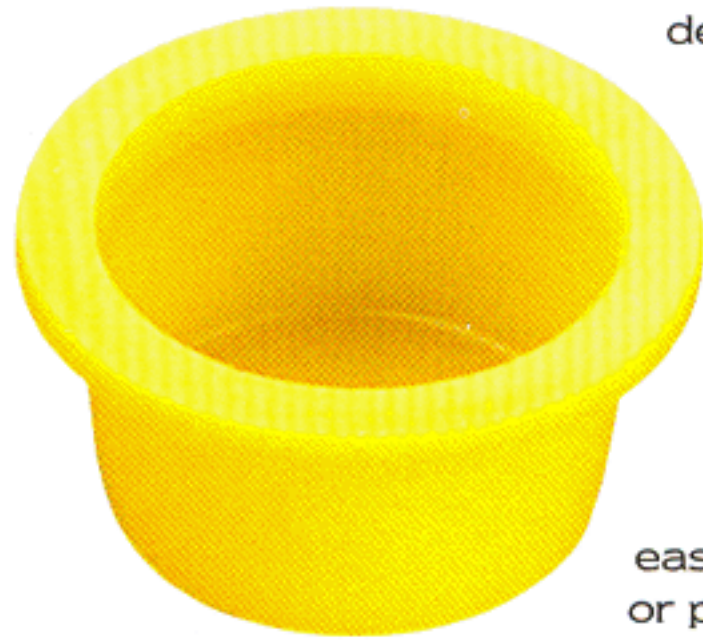


**WHEN CAPPING**  
"C" Dim. must be at least 1% smaller than diameter to be capped. Minimum .020".

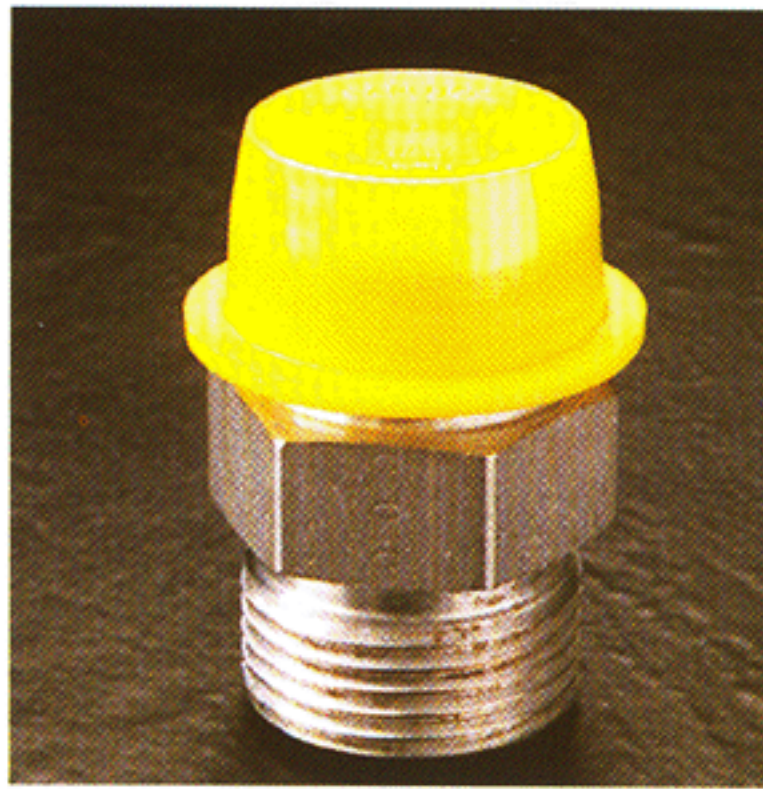


# CAPS non-threaded

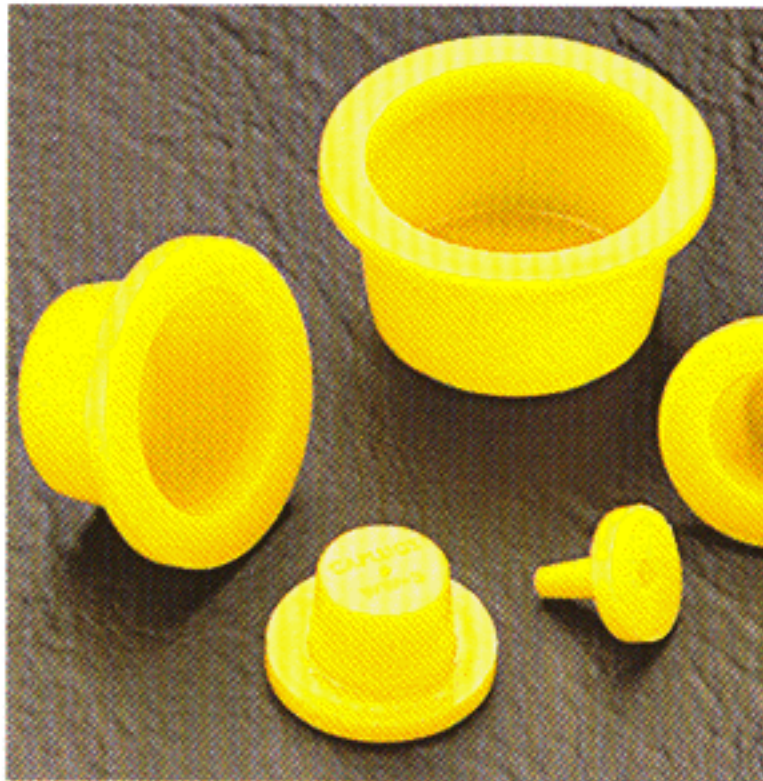
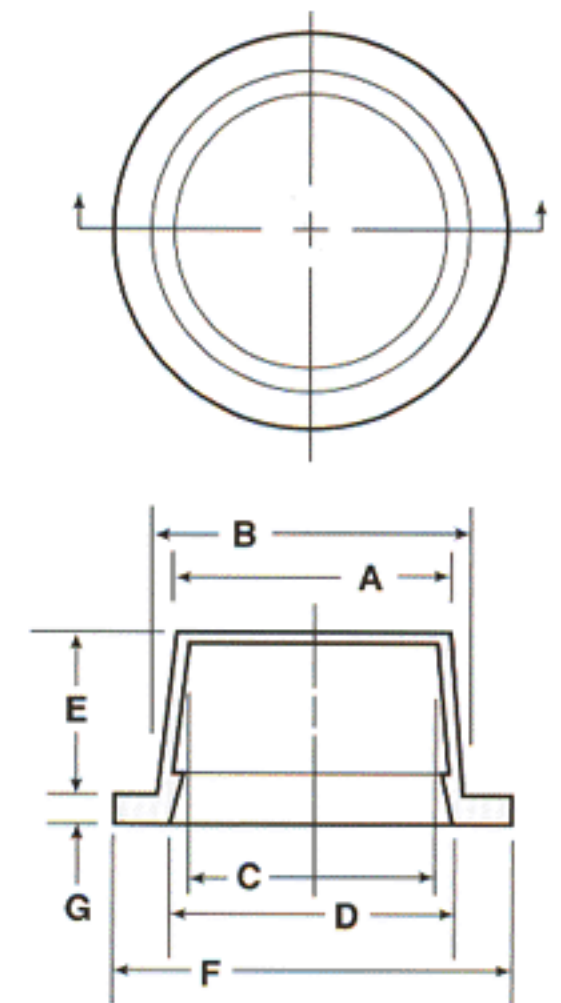
## WW Series Tapered Caps with Wide, Thick Flanges



Accepted by the aircraft industry, Series WW Caps are designed with a wide, thick flange to insure against being erroneously forced "all the way through" when used as a plug. Available in fifty-four sizes, this versatile part may easily be used as a cap or plug depending upon application.



**MATERIAL:** Low Density Polyethylene  
**COLOR\*:** Yellow



# non-threaded CAPS



Specs.: NSA STND, NAS-816



**WHEN CAPPING**  
"C" Dim. must be at least 1% smaller than diameter to be capped. Minimum .020".

## WW Series

Dimensions														Packaging				Caplug No.
A		B		C		D		E		F		G		Standard Carton		Mini Pak Quantity		
in	mm	in	mm	in	mm	in	mm	in	mm	in	mm	in	mm	Shipping Wt. (Approx.)	No. of Pieces			
														lbs	kgs			
.116	2.95	.182	4.62	.053	1.35	.120	3.05	.37	9.40	.50	12.70	.090	2.29	5	2.2	5000	1000	WW-00
.173	4.39	.240	6.10	.111	2.82	.177	4.50	.37	9.40	.56	14.22	.090	2.29	6	2.7	5000	1000	WW-0
.236	5.99	.296	7.52	.174	4.42	.225	5.72	.31	7.87	.62	15.75	.090	2.29	6	2.7	5000	1000	WW-1
.299	7.59	.365	9.27	.235	5.97	.302	7.67	.31	7.87	.68	17.27	.090	2.29	8	3.6	5000	1000	WW-2
.333	8.46	.392	9.96	.269	6.83	.319	8.10	.31	7.87	.72	18.29	.090	2.29	8	3.6	5000	1000	WW-2X
.367	9.32	.418	10.62	.298	7.57	.354	8.99	.31	7.87	.75	19.05	.090	2.29	9	4.0	5000	1000	WW-3
.397	10.08	.447	11.35	.328	8.33	.383	9.73	.31	7.87	.78	19.81	.090	2.29	9	4.0	5000	1000	WW-3X
.427	10.85	.475	12.07	.356	9.04	.409	10.39	.31	7.87	.81	20.57	.090	2.29	10	4.5	5000	1000	WW-4
.435	11.05	.509	12.93	.365	9.27	.439	11.15	.37	9.40	.83	21.08	.090	2.29	11	4.9	5000	1000	WW-4X
.481	12.22	.547	13.89	.409	10.39	.493	12.52	.37	9.40	.87	22.10	.090	2.29	12	5.4	5000	1000	WW-5
.500	12.70	.563	14.30	.440	11.18	.500	12.70	.37	9.40	.89	22.61	.090	2.29	13	5.8	5000	1000	WW-5X
.530	13.46	.615	15.62	.468	11.89	.547	13.89	.37	9.40	.92	23.67	.090	2.29	14	6.3	5000	1000	WW-6
.560	14.22	.631	16.03	.497	12.62	.579	14.71	.41	10.41	.97	24.64	.090	2.29	15	6.8	5000	1000	WW-6X
.590	14.99	.667	16.94	.518	13.16	.605	15.37	.44	11.18	1.00	25.40	.090	2.29	16	7.2	5000	1000	WW-7
.610	15.49	.687	17.45	.548	13.92	.635	16.13	.44	11.18	1.03	26.16	.090	2.29	16	7.2	5000	1000	WW-7X
.628	15.95	.725	18.42	.558	14.17	.662	16.82	.44	11.18	1.06	26.93	.090	2.29	17	7.6	5000	1000	WW-8
.658	16.71	.750	19.05	.588	14.94	.687	17.45	.44	11.18	1.09	27.69	.090	2.29	18	8.1	5000	1000	WW-8X
.690	17.53	.775	19.69	.620	15.75	.721	18.31	.47	11.94	1.12	28.45	.090	2.29	19	8.6	5000	1000	WW-9
.725	18.42	.812	20.63	.663	16.84	.761	19.33	.50	12.70	1.16	29.47	.090	2.29	21	9.4	5000	1000	WW-9X
.755	19.18	.870	22.10	.693	17.60	.808	20.52	.50	12.70	1.18	29.97	.090	2.29	21	9.4	5000	1000	WW-10
.820	20.83	.930	23.62	.755	19.18	.865	21.97	.53	13.46	1.25	31.75	.090	2.29	24	10.8	2500	500	WW-11
.825	20.96	.929	23.60	.763	19.38	.878	22.30	.56	14.22	1.25	31.75	.090	2.29	23	10.3	2500	500	WW-11X
.867	22.02	.975	24.77	.805	20.45	.913	23.19	.56	14.22	1.28	32.51	.090	2.29	26	11.7	2500	500	WW-12
.915	23.24	1.035	26.29	.840	21.34	.960	24.38	.63	16.00	1.34	34.04	.090	2.29	16	7.2	2500	500	WW-12X
.984	24.99	1.105	28.07	.919	23.34	1.040	26.42	.66	16.76	1.44	36.58	.090	2.29	16	7.2	2500	500	WW-13
1.094	27.79	1.215	30.86	1.031	26.19	1.132	28.75	.69	17.53	1.56	39.63	.090	2.29	18	8.1	2500	500	WW-13B
1.110	28.20	1.233	31.32	1.043	26.49	1.157	29.39	.66	16.76	1.56	39.63	.090	2.29	19	8.6	2500	500	WW-14
1.150	29.21	1.284	32.61	1.108	28.14	1.205	30.61	.66	16.76	1.56	39.63	.090	2.29	18	8.1	2500	500	WW-14X
1.237	31.42	1.382	35.10	1.167	29.64	1.288	32.72	.66	16.76	1.68	42.67	.090	2.29	21	9.4	2500	500	WW-15
1.312	33.33	1.465	37.21	1.249	31.73	1.364	34.65	.81	20.57	1.84	46.74	.120	3.05	13	5.8	1000	200	WW-16
1.416	35.97	1.516	38.51	1.354	34.39	1.462	37.14	.69	17.53	1.75	44.45	.120	3.05	11	4.9	1000	200	WW-16X
1.452	36.88	1.603	40.72	1.377	34.98	1.503	38.18	.63	16.00	1.94	49.28	.120	3.05	13	5.8	1000	200	WW-17
1.580	40.13	1.714	43.54	1.515	38.48	1.649	41.89	.63	16.00	2.06	52.33	.120	3.05	13	5.8	1000	200	WW-18
1.730	43.94	1.887	47.93	1.650	41.91	1.780	45.21	.63	16.00	2.31	58.68	.120	3.05	17	7.6	1000	200	WW-19
1.810	45.98	1.975	50.17	1.730	43.94	1.895	48.13	.63	16.00	2.38	60.45	.120	3.05	18	8.1	1000	200	WW-200
1.850	46.99	2.020	51.31	1.788	45.42	1.917	48.69	1.00	25.40	2.44	61.98	.120	3.05	11	4.9	500	100	WW-210
1.927	48.95	2.058	52.28	1.857	47.17	1.988	50.50	.63	16.00	2.38	60.45	.120	3.05	17	7.6	1000	200	WW-21
2.067	52.50	2.243	56.97	2.005	50.93	2.135	54.23	1.00	25.40	2.69	68.33	.120	3.05	12	5.4	500	100	WW-221
2.136	54.26	2.312	58.73	2.074	52.68	2.250	57.15	1.00	25.40	2.75	69.85	.120	3.05	12	5.4	500	100	WW-230
2.125	53.98	2.406	61.11	2.063	52.40	2.344	59.54	1.00	25.40	2.69	68.33	.120	3.05	12	5.4	500	100	WW-25A
2.298	58.37	2.464	62.59	2.235	56.77	2.370	60.20	1.00	25.40	2.88	73.15	.120	3.05	14	6.3	500	100	WW-240
2.395	60.84	2.602	66.09	2.333	59.26	2.500	63.50	1.13	28.70	3.00	76.20	.120	3.05	14	6.3	500	100	WW-250
2.305	58.55	2.620	66.55	2.245	57.03	2.560	65.03	1.25	31.75	3.06	77.73	.120	3.05	8	3.6	250	50	WW-33A
2.475	62.87	2.725	69.22	2.405	61.09	2.650	67.31	.91	23.11	3.16	80.27	.120	3.05	8	3.6	250	50	WW-43A
2.638	67.01	2.759	70.08	2.568	65.23	2.661	67.59	.69	17.53	3.22	81.79	.120	3.05	14	6.3	500	100	WW-44
2.685	68.20	2.955	75.06	2.623	66.63	2.916	74.07	1.00	25.40	3.44	87.38	.120	3.05	8	3.6	250	50	WW-45A
2.995	76.08	3.150	80.01	2.925	74.30	3.080	78.24	.75	19.05	3.59	91.19	.120	3.05	9	4.0	250	50	WW-53
2.990	75.95	3.250	82.55	2.920	74.17	3.150	80.01	1.00	25.40	3.75	95.25	.120	3.05	11	4.9	250	50	WW-55A
3.090	78.49	3.370	85.60	3.020	76.71	3.322	84.38	1.00	25.40	3.81	96.78	.120	3.05	10	4.5	250	50	WW-57A
3.225	81.92	3.562	90.48	3.155	80.14	3.517	89.34	1.12	28.45	4.00	101.60	.120	3.05	11	4.9	250	50	WW-96A
3.325	84.46	3.457	87.81	3.245	82.43	3.382	85.91	.75	19.05	3.88	98.56	.120	3.05	10	4.5	250	50	WW-501
3.790	96.27	3.920	99.57	3.710	94.24	3.840	97.54	.75	19.05	4.34	110.24	.120	3.05	13	5.8	250	50	WW-502
4.011	101.88	4.135	105.03	3.937	100.00	4.061	103.15	.75	19.05	4.62	117.35	.120	3.05	6	2.7	100	20	WW-1064
4.640	117.86	4.847	123.12	4.566	115.98	4.775	121.29	.88	22.35	5.25	133.36	.120	3.05	7	3.1	100	20	WW-1076



# CAPS non-threaded

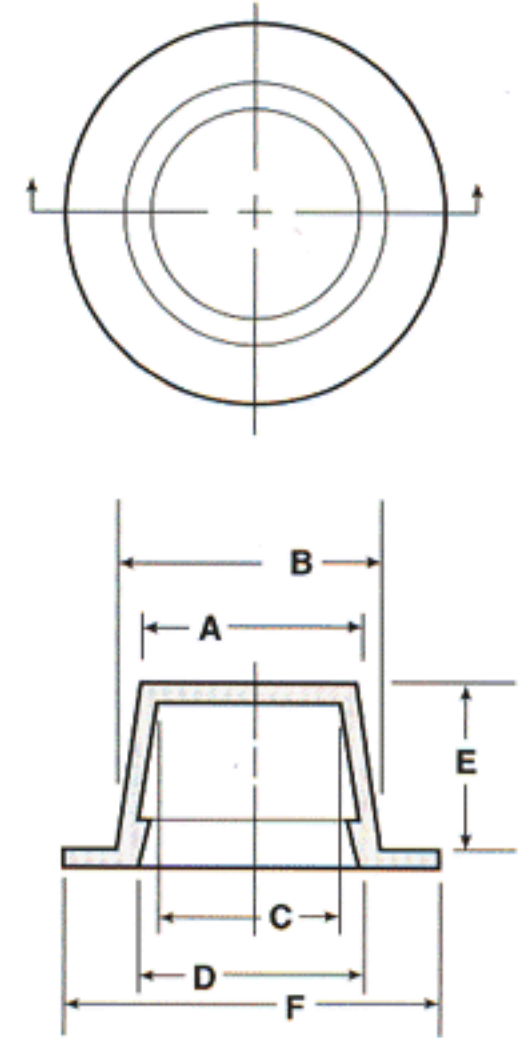
## W Series Tapered Caps with Wide Flanges



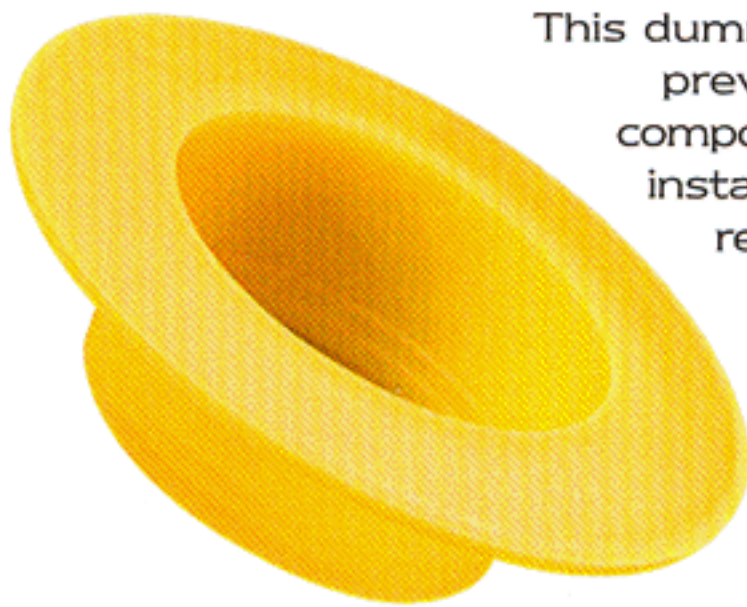
Featuring a wider flange than standard Tapered Caplugs, the Series W offers added protection for bearing surfaces and cannot be accidentally pushed all the way into or through an opening being plugged.



MATERIAL: Low Density Polyethylene  
COLOR\*: Red



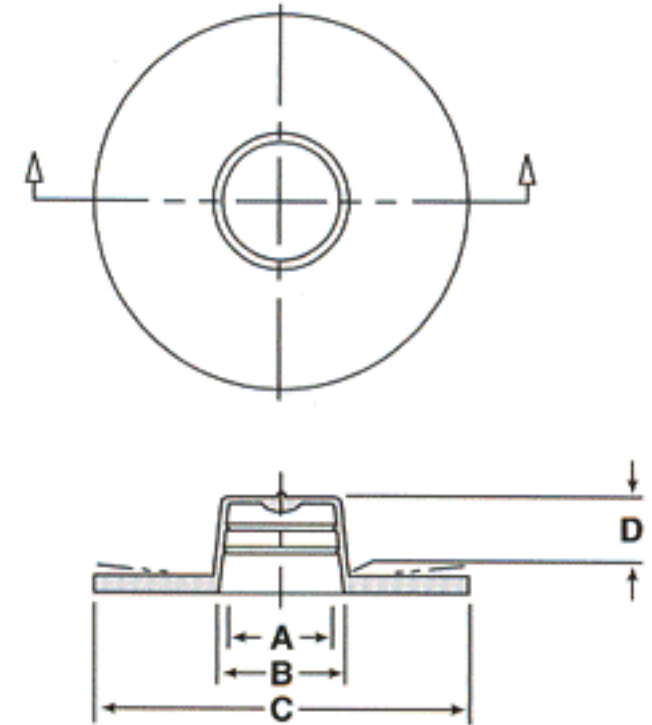
## WWX Series Tapered Caps with Extra-Wide, Extra-Thick Flanges



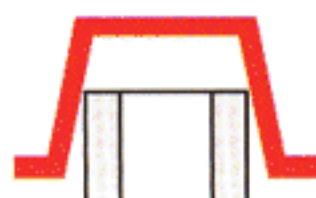
The extra-wide flange of the WWX Series provides extended visibility. This dummy-proof design prevents the mating component from being installed without first removing the cap. Available in thirteen sizes, this versatile part may easily be used as a cap or plug depending on application.



MATERIAL: Low Density Polyethylene  
COLOR: Yellow



# non-threaded CAPS



**WHEN CAPPING**  
"C" Dim. must be at least 1% smaller than diameter to be capped. Minimum .020".

## W Series

Dimensions												Packaging				Caplug No.
A		B		C		D		E		F		Standard Carton		Mini Pak Quantity		
in	mm	in	mm	in	mm	in	mm	in	mm	in	mm	Shipping Wt. (Approx.) lbs	kgs		No. of Pieces	
.173	4.39	.240	6.10	.111	2.82	.177	4.50	.38	9.65	.56	14.22	3	1.3	5000	1000	W-0
.240	6.10	.315	8.00	.183	4.65	.245	6.22	.36	9.14	.62	15.75	4	1.8	5000	1000	W-1
.302	7.67	.375	9.53	.240	6.10	.303	7.70	.38	9.65	.69	17.53	5	2.2	5000	1000	W-2
.360	9.14	.425	10.80	.298	7.57	.363	9.22	.38	9.65	.75	19.05	6	2.7	5000	1000	W-3
.425	10.80	.480	12.19	.363	9.22	.418	10.62	.38	9.65	.81	20.57	7	3.1	5000	1000	W-4
.472	11.99	.540	13.72	.410	10.41	.478	12.14	.44	11.18	.88	22.35	8	3.6	5000	1000	W-5
.536	13.61	.615	15.62	.474	12.04	.553	14.05	.44	11.18	.92	23.37	10	4.5	5000	1000	W-6
.590	14.99	.670	17.02	.528	13.41	.608	15.44	.50	12.70	1.00	25.40	11	4.9	5000	1000	W-7
.643	16.33	.726	18.44	.581	14.76	.662	16.82	.50	12.70	1.03	26.16	12	5.4	5000	1000	W-8
.683	17.35	.785	19.94	.621	15.77	.723	18.36	.53	13.46	1.13	28.70	14	6.3	5000	1000	W-9
.765	19.43	.865	21.97	.703	17.86	.803	20.40	.56	14.22	1.19	30.23	15	6.8	5000	1000	W-10
.820	20.83	.930	23.62	.758	19.25	.868	22.05	.59	14.99	1.25	31.75	18	8.1	5000	1000	W-11
.872	22.15	.977	24.82	.810	20.57	.916	23.27	.59	14.99	1.31	33.28	11	4.9	2500	500	W-12
.975	24.77	1.104	28.04	.913	23.19	1.042	26.47	.72	18.29	1.44	36.58	14	6.3	2500	500	W-13
1.158	29.41	1.275	32.39	1.096	27.84	1.213	30.81	.72	18.29	1.56	39.63	15	6.8	2500	500	W-14
1.175	29.85	1.284	32.61	1.120	28.45	1.229	31.22	.63	16.00	1.67	42.42	14	6.3	2500	500	W-14X
1.243	31.57	1.375	34.93	1.181	30.00	1.313	33.35	.72	18.29	1.69	42.93	17	7.6	2500	500	W-15
1.312	33.33	1.475	37.47	1.250	31.75	1.413	35.89	.88	22.35	1.81	45.98	9	4.0	1000	200	W-16
1.455	36.96	1.615	41.02	1.393	35.38	1.553	39.45	.72	18.29	1.94	49.28	9	4.0	1000	200	W-17
1.575	40.01	1.685	42.80	1.513	38.43	1.623	41.23	.69	17.53	2.00	50.80	10	4.5	1000	200	W-18
1.735	44.07	1.900	48.26	1.673	42.50	1.838	46.69	.72	18.29	2.22	56.39	12	5.4	1000	200	W-19
1.810	45.98	1.950	49.53	1.748	44.40	1.888	47.96	.69	17.53	2.31	58.68	13	5.8	1000	200	W-20
1.945	49.40	2.100	53.34	1.883	47.83	2.038	51.77	.69	17.53	2.44	61.98	14	6.3	1000	200	W-21

## WWX Series

Dimensions								Packaging				Caplug No.
A		B		C		D		Standard Carton		Mini Pak Quantity		
in	mm	in	mm	in	mm	in	mm	Shipping Wt. (Approx.) lbs	kgs		No. of Pieces	
0.566	14.38	0.643	16.33	2.23	56.64	0.44	11.18	14	6.4	1000	200	WWX-8
0.686	17.42	0.788	20.02	2.37	60.20	0.50	12.70	15	6.8	1000	200	WWX-10
0.798	20.27	0.889	22.58	2.48	62.99	0.56	14.22	16	7.3	1000	200	WWX-12
0.909	23.09	1.014	25.76	2.61	66.29	0.66	16.76	18	8.2	1000	200	WWX-13
1.046	26.57	1.171	29.74	2.73	69.34	0.66	16.76	11	5.0	500	100	WWX-14
1.171	29.74	1.291	32.79	2.88	73.15	0.66	16.76	18	8.2	800	160	WWX-15
1.243	31.57	1.375	34.93	2.97	75.44	0.66	16.76	19	8.6	800	160	WWX-16
1.387	35.23	1.519	38.58	3.10	78.74	0.66	16.76	18	8.2	700	140	WWX-17
1.513	38.43	1.624	41.25	3.21	81.53	0.66	16.76	19	8.6	700	140	WWX-18
1.867	47.42	1.973	50.11	3.56	90.42	0.66	16.76	19	8.6	600	120	WWX-21
2.036	51.71	2.210	56.13	3.79	96.27	1.00	25.40	12	5.4	300	60	WWX-230
2.322	58.98	2.530	64.26	4.10	104.14	1.13	28.70	10	4.5	200	40	WWX-250
2.547	64.69	2.670	67.82	4.26	108.20	1.13	28.70	11	5.0	200	40	WWX-44





# CAPS non-threaded

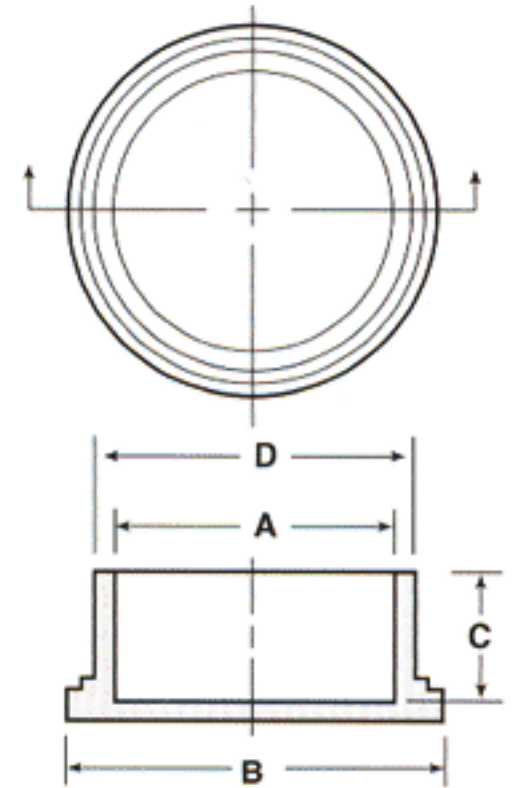
## EC Series Caps for Threaded Connectors



Made to protect threaded connectors, Series EC Caps are designed for easy application and removal in areas not readily accessible. They can be installed over threads or cylindrical surfaces.



**MATERIAL:** Low Density Polyethylene  
**COLOR\*:** Red



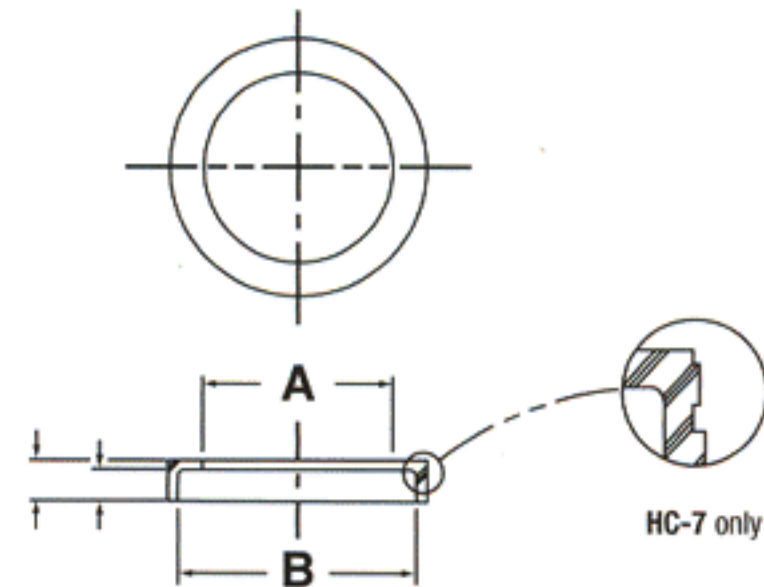
## HC Series Plastic Hose Caps



Series HC Plastic Hose Caps are used to cover rigid tube and hose ends, as well as to prevent slippage over the fitting. The primary application for these caps is hose assembly manufacturing.



**MATERIAL:** Low Density Polyethylene  
**COLOR\*:** Yellow



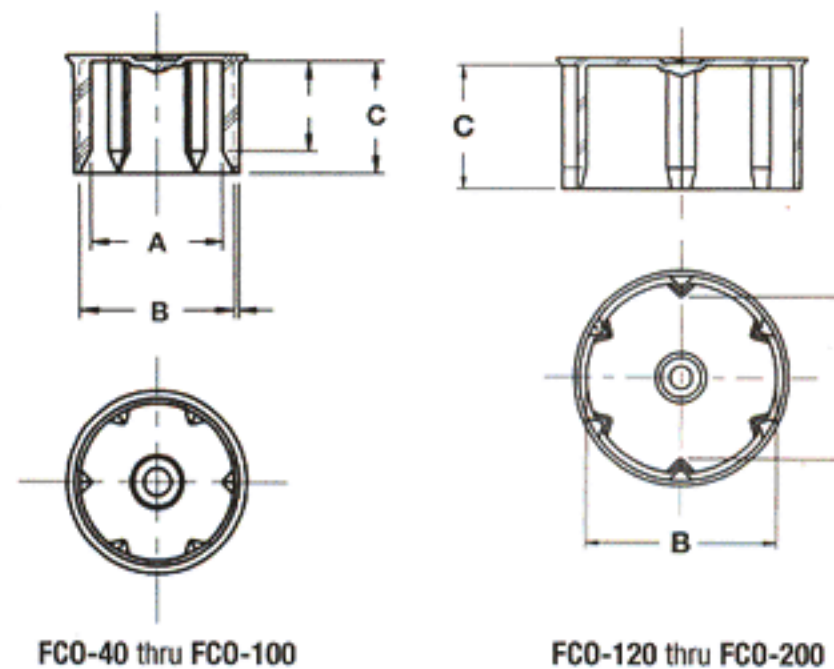
## FCO Series Flat Faced O-Ring Caps



Series FCO Flat Faced O-Ring Caps are designed to cap the outside of hexnuts. Featuring a chamfered flange for easy hand removal, these caps fit snugly to minimize the chance of falling off during transit. Available in two styles, Series FCO is ideal for fluid power valves and hose and pipe fittings.



**MATERIAL:** Low Density Polyethylene  
**COLOR\*:** Red



# non-threaded CAPS



## EC Series

Specs.: MS-90376-R, NAS-813, NAS-831, MS-25178

To Fit Thread Size	Dimensions								Packaging				Caplug No.
	A		B		C		D		Standard Carton		Mini Pak Quantity		
	in	mm	in	mm	in	mm	in	mm	Shipping Wt. (Approx.) lbs	kgs		No. of Pieces	
1/4	.246	6.25	.48	12.19	.50	12.70	.31	7.87	6	2.7	5000	1000	EC-4
M8	.309	7.85	.55	13.97	.56	14.22	.37	9.40	8	3.6	5000	1000	EC-M8
5/16	.308	7.82	.55	13.97	.56	14.22	.37	9.40	8	3.6	5000	1000	EC-5
3/8	.369	9.37	.62	15.75	.50	12.70	.43	10.92	7	3.1	5000	1000	EC-6
1/2	.480	12.19	.74	18.80	.50	12.70	.54	13.72	10	4.5	5000	1000	EC-8
9/16	.551	14.00	.78	19.81	.44	11.18	.61	15.49	10	4.5	5000	1000	EC-9
5/8	.605	15.37	.84	21.34	.50	12.70	.66	16.89	12	5.4	5000	1000	EC-10
3/4	.720	18.29	.97	24.64	.50	12.70	.77	19.68	14	6.3	5000	1000	EC-12
7/8	.850	20.83	1.13	28.70	.50	12.70	.90	22.99	18	8.1	5000	1000	EC-14
1	.973	24.71	1.22	30.99	.50	12.70	1.03	26.29	10	4.5	2500	500	EC-16
1 1/8	1.093	27.76	1.33	33.78	.56	14.22	1.15	29.35	13	5.8	2500	500	EC-18
1 3/16	1.188	30.18	1.40	35.56	.56	14.22	1.23	31.24	14	6.3	2500	500	EC-19
1 1/4	1.231	31.27	1.46	37.09	.56	14.22	1.30	33.05	17	7.6	2500	500	EC-20
1 3/8	1.340	34.04	1.59	40.39	.56	14.22	1.41	35.81	17	7.6	2500	500	EC-22
1 7/16	1.428	36.27	1.65	41.91	.56	14.22	1.46	37.08	8	3.6	1000	200	EC-23
1 1/2	1.463	37.16	1.70	43.18	.56	14.22	1.53	38.94	17	7.6	2500	500	EC-24
1 9/16	1.549	39.34	1.73	43.94	.50	12.70	1.59	40.39	17	7.6	2500	500	EC-25
1 5/8	1.613	40.97	1.91	48.51	.56	14.22	1.71	43.43	15	6.8	1000	200	EC-26
1 3/4	1.715	43.56	1.95	49.53	.56	14.22	1.79	45.47	13	5.8	1000	200	EC-28
2	1.965	49.91	2.22	56.39	.56	14.22	2.04	51.82	13	5.8	1000	200	EC-32
2 1/4	2.215	56.26	2.43	61.72	.60	15.24	2.29	58.17	15	6.8	1000	200	EC-36
2 1/2	2.456	62.38	2.68	68.07	.62	15.75	2.52	64.01	17	7.6	1000	200	EC-40
2 3/4	2.720	69.09	2.96	68.32	.60	15.24	2.81	71.42	11	4.9	500	100	EC-44
3	2.960	75.18	3.23	82.05	.60	15.24	3.05	77.47	13	5.8	500	100	EC-48
4	3.940	100.08	4.16	105.67	1.00	25.40	4.00	101.60	10	4.5	200	40	EC-64
5	4.944	125.58	5.12	130.05	1.25	31.75	5.00	127.00	11	4.9	150	30	EC-80

## HC Series

	Dimensions				Packaging				Caplug No.
	A		B		Standard Carton		Mini Pak Quantity		
	in	mm	in	mm	Shipping Wt. (Approx.) lbs	kgs		No. of Pieces	
	.320	8.13	.629	15.98	10	4.5	10000	1000	HC-4
	.445	11.30	.771	19.58	12	5.4	10000	1000	HC-6
	.660	16.76	.825	20.96	4	1.8	5000	1000	HC-7
	.575	14.61	.880	22.35	7	3.2	5000	1000	HC-8
	.700	17.78	1.056	26.82	8	3.6	5000	1000	HC-10
	.830	21.08	1.183	30.05	10	4.5	5000	1000	HC-12

## FCO Series

To Fit Thread Size	To Fit Hex Size	Dimensions						Packaging				Caplug No.
		A		B		C		Standard Carton		Mini Pak Quantity		
		in	mm	in	mm	in	mm	Shipping Wt. (Approx.) lbs	kgs		No. of Pieces	
9/16-18	11/16	.671	17.04	.786	19.96	.590	14.99	18	8.2	6000	1000	FCO-40
11/16-16	13/16	.792	20.12	.928	23.57	.680	17.27	17	7.7	4000	800	FCO-60
13/16-16	15/16	.916	23.27	1.074	27.28	.840	21.34	10	4.5	2500	500	FCO-80
1-14	1 1/8	1.098	27.89	1.287	32.69	.940	23.88	8	3.6	1500	300	FCO-100
1 3/16-12	1 3/8	1.355	34.42	1.576	40.03	1.030	26.16	8	3.6	1000	200	FCO-120
1 7/16-12	1 5/8	1.586	40.28	1.859	47.22	1.110	28.19	20	9.1	900	180	FCO-160
1 11/16-12	1 7/8	1.832	46.53	2.148	54.56	1.110	28.19	10	4.5	700	140	FCO-200



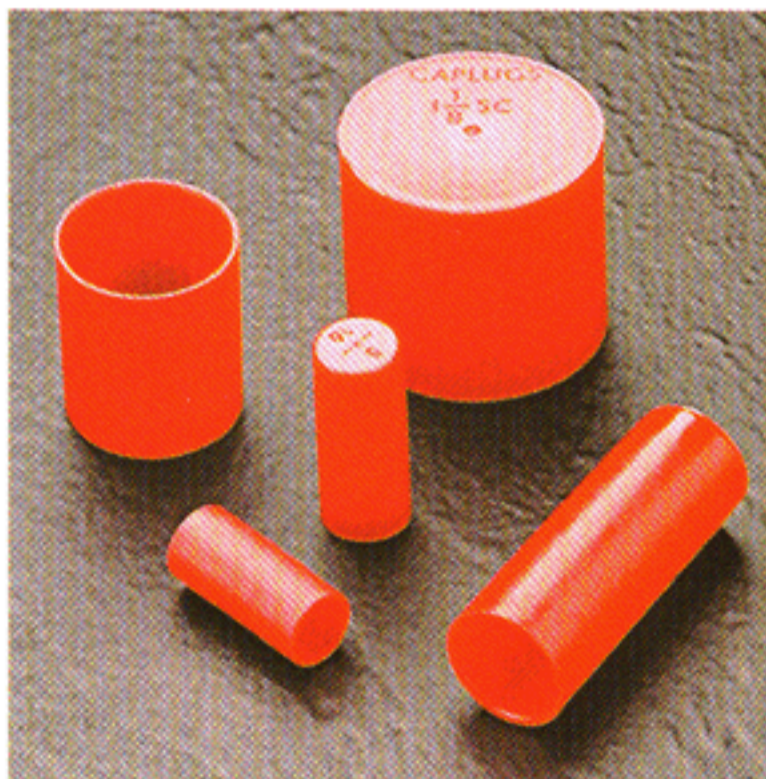
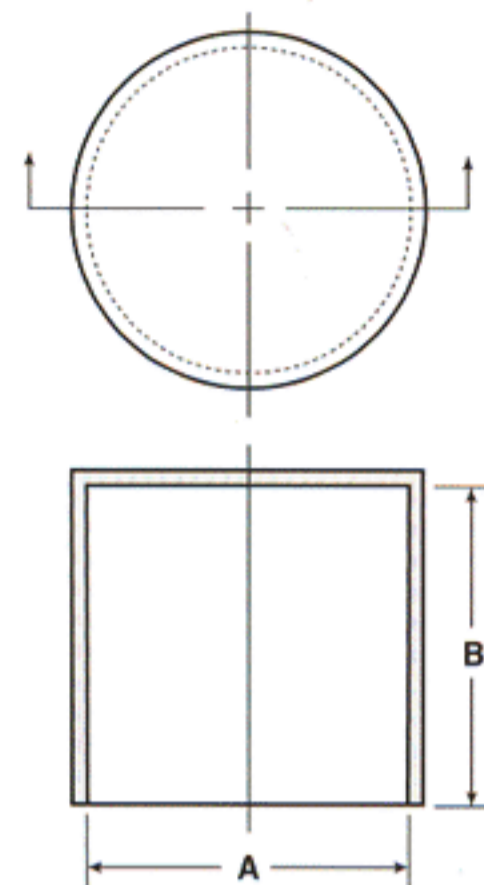
# CAPS non-threaded

## SC Series Sleeve Caps for Tube Ends

Series SC Sleeve Caps are designed to fit outside diameters of tubing sizes listed with a snug friction grip. Available in 59 different O.D.s and lengths, the SC Series is ideal for capping and protecting both threaded and non-threaded tubing or rod ends. They also make excellent masks for painting, plating or grit-blasting operations.



**MATERIAL:** Low Density Polyethylene  
**COLOR\*:** Red



EXPANDED

# non-threaded CAPS



## SC Series

MIL-C-5501/9, MIL-C-52078, NAS-844

Dimensions				Packaging			Mini Pak Quantity	Caplug No.
A		B		Standard Carton				
in	mm	in	mm	Shipping Wt. (Approx.)				
				lbs	kgs	No. of Pieces		
.078	1.98	.50	12.70	2	0.9	5000	1000	SC-5/64**
.094	2.38	.59	14.99	2	0.9	5000	1000	SC-3/32
.125	3.18	.59	14.99	3	1.3	5000	1000	SC-1/8
.156	3.97	.56	14.22	3	1.3	5000	1000	SC-5/32
.188	4.76	.35	8.89	3	1.3	5000	1000	SC-3/16-5
.188	4.76	.59	14.99	4	1.8	5000	1000	SC-3/16-10
.188	4.76	1.00	25.40	5	2.2	5000	1000	SC-3/16-16
.219	5.56	.75	19.05	5	2.2	5000	1000	SC-7/32
.250	6.35	.22	5.59	2	0.9	5000	1000	SC-1/4-4
.250	6.35	.44	11.18	3	1.3	5000	1000	SC-1/4-7
.250	6.35	.88	22.35	6	2.7	5000	1000	SC-1/4-14
.250	6.35	1.00	25.40	6	2.7	5000	1000	SC-1/4-16
.281	7.14	.75	19.05	5	2.2	5000	1000	SC-9/32
.313	7.94	.88	22.35	7	3.1	5000	1000	SC-5/16
.375	9.53	.88	22.35	8	3.6	5000	1000	SC-3/8
.438	11.11	.50	12.70	6	2.7	5000	1000	SC-7/16-8
.438	11.11	.88	22.35	10	4.5	5000	1000	SC-7/16-14
.500	12.70	.50	12.70	7	3.1	5000	1000	SC-1/2-8
.500	12.70	.88	22.35	11	4.9	5000	1000	SC-1/2-14
.500	12.70	1.50	38.10	8	3.6	2500	500	SC-1/2-24
.563	14.29	.56	14.22	9	4.0	5000	1000	SC-9/16-9
.563	14.29	.88	22.35	14	6.3	5000	1000	SC-9/16-14
.625	15.88	.88	22.35	14	6.3	5000	1000	SC-5/8
.688	17.46	.88	22.35	15	6.8	5000	1000	SC-11/16
.750	19.05	.88	22.35	17	7.6	5000	1000	SC-3/4
.781	19.84	1.00	25.40	19	8.6	5000	1000	SC-25/32
.813	20.64	.88	22.35	18	8.1	5000	1000	SC-13/16
.875	22.23	.88	22.35	20	9.0	5000	1000	SC-7/8
.938	23.81	1.00	25.40	11	4.9	2500	500	SC-15/16
1.000	25.40	1.00	25.40	15	6.8	2500	500	SC-1
1.063	26.99	1.00	25.40	18	8.1	2500	500	SC-1-1/16
1.125	28.58	1.00	25.40	15	6.8	2500	500	SC-1-1/8
1.188	30.16	1.00	25.40	17	7.6	2500	500	SC-1-3/16
1.250	31.75	1.00	25.40	15	6.8	2000	400	SC-1-1/4
1.313	33.34	1.00	25.40	9	4.0	1000	200	SC-1-5/16
1.375	34.92	1.00	25.40	9	4.0	1000	200	SC-1-3/8
1.500	38.10	1.00	25.40	10	4.5	1000	200	SC-1-1/2
1.625	41.28	1.00	25.40	10	4.5	1000	200	SC-1-5/8
1.750	44.45	1.00	25.40	13	5.8	1000	200	SC-1-3/4
1.875	47.63	1.00	25.40	13	5.8	1000	200	SC-1-7/8
1.906	48.41	1.00	25.40	15	6.8	1000	200	SC-1-29/32
2.000	50.80	.88	22.35	12	5.4	1000	200	SC-2
2.125	53.98	1.00	25.40	8	3.6	500	100	SC-2-1/8
2.250	57.15	.88	22.35	14	6.3	500	100	SC-2-1/4
2.375	60.33	.88	22.35	9	4.0	500	100	SC-2-3/8
2.500	63.50	.88	22.35	11	4.9	500	100	SC-2-1/2
2.563	65.10	1.00	25.40	12	5.4	500	100	SC-2-9/16
2.625	66.68	1.00	25.40	13	5.8	500	100	SC-2-5/8
2.750	69.85	1.00	25.40	13	5.8	500	100	SC-2-3/4
3.000	76.20	1.00	25.40	13	6.3	450	90	SC-3
3.125	79.38	1.38	35.05	9	4.0	250	50	SC-3-1/8
3.313	84.14	1.00	25.40	10	4.5	400	100	SC-3-5/16
3.500	88.90	1.38	35.05	10	4.5	250	50	SC-3-1/2
3.625	92.08	1.38	35.05	11	4.9	250	50	SC-3-5/8
3.750	95.25	1.38	35.05	12	5.4	200	40	SC-3-3/4
4.000	101.60	1.38	35.05	13	5.8	250	50	SC-4
4.125	104.78	1.50	38.10	7	3.1	120	24	SC-4-1/8
5.125	130.18	1.63	41.40	9	4.0	100	20	SC-5-1/8
5.250	133.36	1.80	45.72	12	5.4	50	N/A	SC-5-1/4

E material (Polyolefin Elastomer)



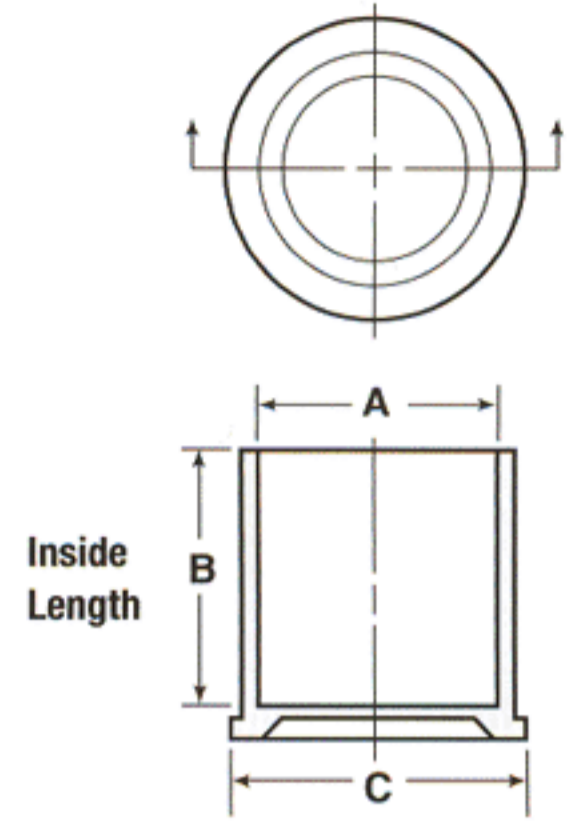
# CAPS non-threaded

## RC Series Caps for Threaded Connectors

Originated for the automotive and air conditioning industries, Series RC Caps are suitable for a multitude of applications. They can be installed to fit threaded or smooth cylindrical surfaces.

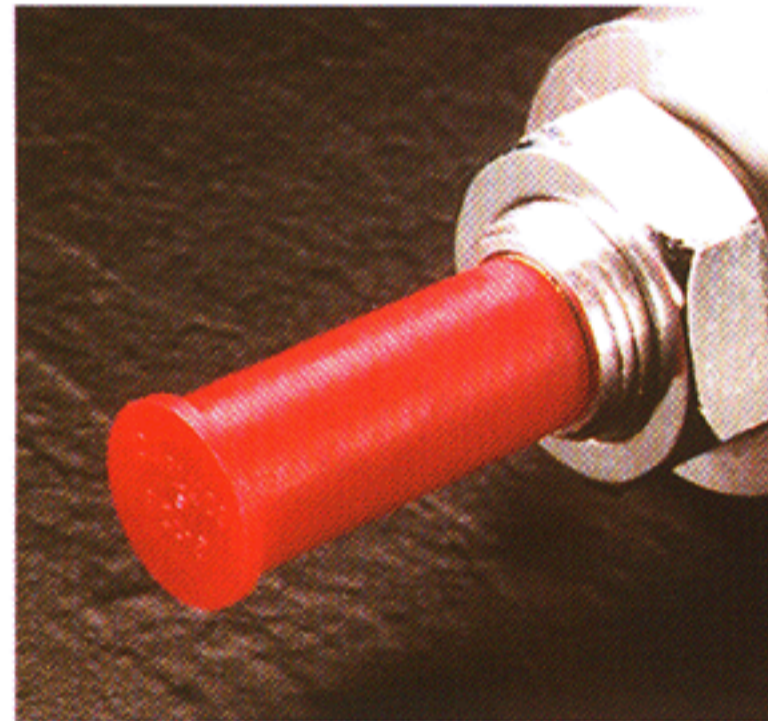


MATERIAL: Low Density Polyethylene  
COLOR\*: Red

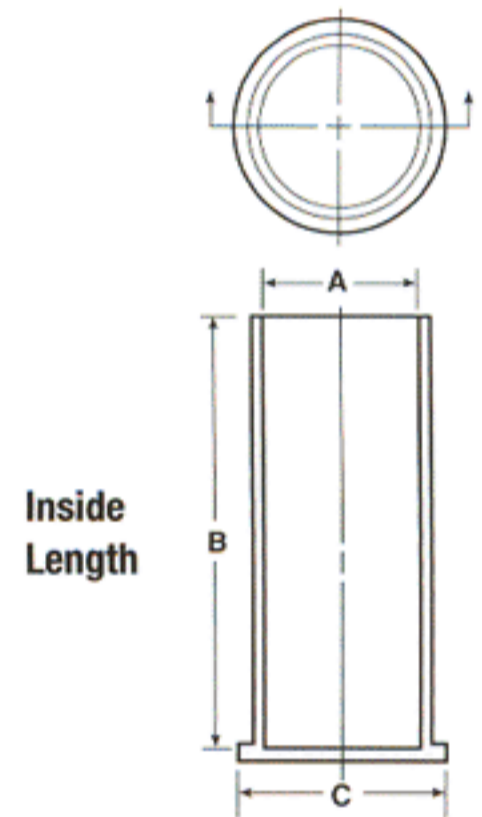


## RCL Series Caps for Long Threaded Connectors

Series RCL Caps are ideal for protecting threaded or smooth cylindrical surfaces. Originally designed for use on hydraulic double threaded bulkhead fittings, they are especially suitable where greater longitudinal protection is required.



MATERIAL: Low Density Polyethylene  
COLOR\*: Red

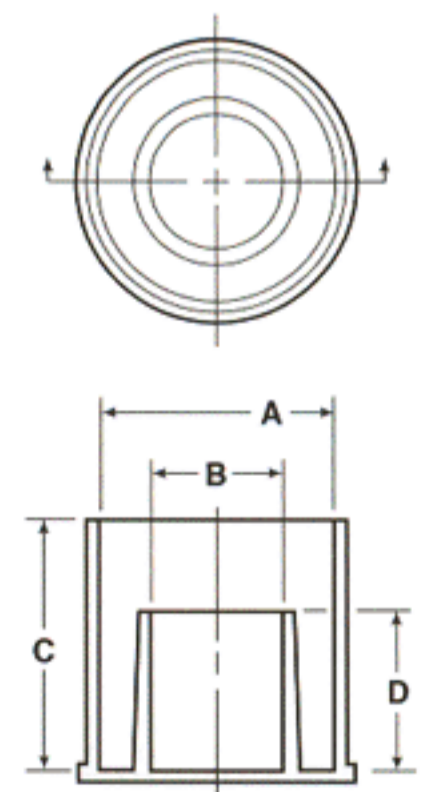


## FC Series Caps for Flareless Tube and Nut Assemblies

Featuring a "cap within a cap" design, Series FC closures can be easily applied to flareless hydraulic tube and nut assemblies. As the FC Cap is pushed on the nut, the "outer cap" conforms to the hex shape of the nut while the "inner cap" covers the tube and sleeve inside the nut to hold the assembly firmly in place.



MATERIAL: Low Density Polyethylene  
COLOR\*: Red



EXPANDED

# non-threaded CAPS



## RC Series

Dimensions							Packaging				Caplug No.
To Fit Thread Size	A		B		C		Standard Carton		Mini Pak Quantity		
	in	mm	in	mm	in	mm	Shipping Wt. (Approx.)			No. of Pieces	
							lbs	kgs			
3/8	0.37	9.50	0.47	11.94	0.60	15.24	8	3.6	5000	1000	RC-6
7/16	0.42	10.74	0.59	14.99	0.57	14.48	8	3.6	5000	1000	RC-7
1/2	0.50	12.67	0.55	13.97	0.73	18.54	11	5.0	5000	1000	RC-8
9/16	0.56	14.25	0.48	12.19	0.79	20.07	12	5.4	5000	1000	RC-9
5/8	0.61	15.49	0.84	21.34	0.76	19.30	15	6.8	5000	1000	RC-10
11/16	0.67	16.97	0.84	21.34	0.83	21.08	17	7.6	5000	1000	RC-11
11/16	0.67	17.12	0.47	11.94	0.92	23.37	16	7.3	5000	1000	RC-11-7
-	0.68	17.22	0.88	22.35	0.84	21.34	14	6.4	4500	900	RC-11-A
3/4	0.74	18.67	0.88	22.35	0.90	22.86	18	8.1	5000	1000	RC-12
3/4	0.74	18.75	0.65	16.51	0.98	24.13	17	7.7	5000	1000	RC-12-10
13/16	0.81	20.60	0.56	14.22	1.04	26.42	18	8.1	5000	1000	RC-13
7/8	0.86	21.84	0.84	21.34	1.02	25.91	21	9.4	5000	1000	RC-14
7/8	0.86	21.84	0.75	19.05	1.11	28.19	19	8.6	4000	800	RC-14-12
1	1.00	25.35	0.65	16.51	1.23	31.24	15	6.6	3000	600	RC-16
1 1/16	1.05	26.59	0.89	22.61	1.21	30.74	12	5.4	2500	500	RC-17
1 3/16	1.19	30.12	0.77	19.56	1.42	36.07	15	6.8	2000	400	RC-19
1 5/16	1.31	33.30	0.90	22.86	1.54	39.12	11	5.0	1000	200	RC-21
1 7/16	1.44	36.47	0.70	17.78	1.67	42.42	10	4.5	1000	200	RC-23
1 5/8	1.63	41.22	0.95	24.13	1.86	47.24	14	6.4	1000	200	RC-26
1 11/16	1.69	42.82	0.70	17.78	1.92	48.77	12	5.4	1000	200	RC-27
1 7/8	1.88	47.83	1.08	27.43	2.12	53.85	15	6.8	800	160	RC-30
2 1/2	2.51	63.70	1.30	33.02	2.75	69.85	12	5.4	400	80	RC-40
12mm	0.47	11.99	0.47	11.94	0.70	17.78	10	4.5	5000	1000	RC-M12
18mm	0.70	17.75	1.00	25.40	0.93	23.62	15	6.8	3000	600	RC-M18

## RCL Series

Dimensions							Packaging				Caplug No.
To Fit Thread Size	A		B		C		Standard Carton		Mini Pak Quantity		
	in	mm	in	mm	in	mm	Shipping Wt. (Approx.)			No. of Pieces	
							lbs	kgs			
5/16	0.308	7.82	1.24	31.50	.46	11.68	10	4.5	5000	1000	RCL-2
3/8	0.370	9.40	1.24	31.50	.52	13.21	12	5.4	5000	1000	RCL-3
7/16	0.429	10.90	1.33	33.78	.58	14.73	14	6.4	5000	1000	RCL-4
1/2	0.490	12.45	1.33	33.78	.64	16.26	16	7.3	5000	1000	RCL-5
9/16	0.552	14.02	1.41	35.82	.70	17.78	19	8.6	5000	1000	RCL-6
3/4	0.739	18.77	1.56	39.63	.88	22.35	15	6.8	2500	500	RCL-8
3/4	0.739	18.77	2.66	67.56	.88	22.35	20	9.1	2000	400	RCL-8L
M-20(.787)	0.791	20.09	1.56	39.63	.91	23.11	19	8.6	2500	500	RCL-9
7/8	0.861	21.87	1.70	43.18	1.01	25.66	20	9.1	2500	500	RCL-10
7/8	0.861	21.87	2.66	67.56	1.01	25.66	17	7.7	1500	300	RCL-10L
.995	0.995	25.27	1.80	45.72	1.15	29.21	14	6.4	1500	300	RCL-11
1 1/16	1.049	26.64	1.89	48.01	1.19	30.23	12	5.4	1000	200	RCL-12
1 1/16	1.049	26.64	3.00	76.20	1.19	30.23	15	6.8	900	180	RCL-12L
1 1/8	1.135	28.83	2.12	53.85	1.25	31.75	19	8.6	1500	300	RCL-14
1 1/8	1.135	28.83	3.11	78.99	1.33	33.78	19	8.6	1000	200	RCL-14-50
1 5/16	1.299	32.99	1.89	48.01	1.44	36.58	13	5.8	1000	200	RCL-16
-	1.459	37.06	2.24	56.90	1.61	40.89	25	11.3	500	100	RCL-18
1 5/8	1.611	40.92	1.92	48.77	1.76	44.71	11	5.0	500	100	RCL-20
1 7/8	1.861	47.27	1.94	49.28	2.01	51.06	13	5.9	500	100	RCL-24

## FC Series

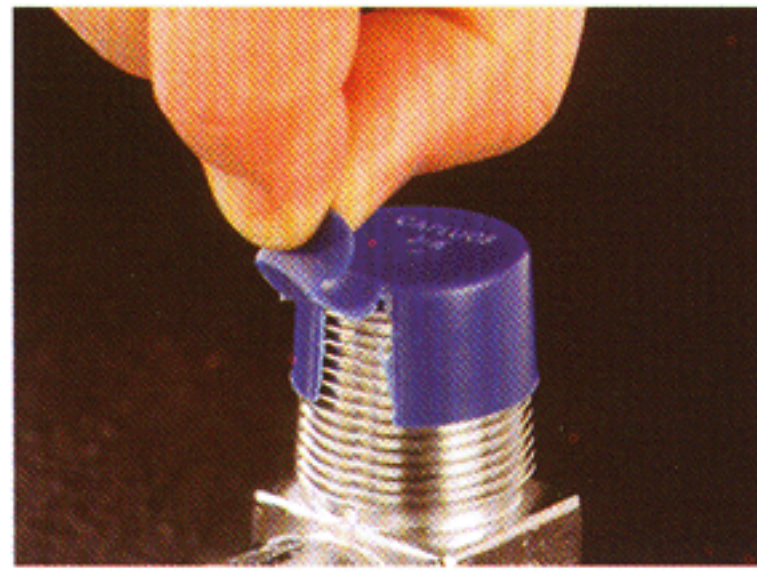
Dimensions										Packaging				Caplug No.
To Fit Tube Size	A		B		C		D		Standard Carton		Mini Pak Quantity			
	in	mm	in	mm	in	mm	in	mm	Shipping Wt. (Approx.)			No. of Pieces		
										lbs	kgs			
1/8	.39	9.91	.17	4.32	.58	14.73	.40	10.16	7	3.1	5000	1000	FC-2	
3/16	.46	11.68	.24	6.10	.63	16.00	.41	10.41	8	3.6	5000	1000	FC-3	
1/4	.59	14.99	.30	7.62	.77	19.56	.52	13.21	12	5.4	5000	1000	FC-4	
5/16	.65	16.51	.37	9.40	.81	20.57	.53	13.46	14	6.3	5000	1000	FC-5	
3/8	.72	18.29	.41	10.41	.81	20.57	.54	13.72	19	8.6	5000	1000	FC-6	
1/2	.91	23.11	.57	14.48	.86	21.84	.54	13.72	14	6.3	2500	500	FC-8	
5/8	1.04	26.42	.67	17.02	.99	25.15	.64	16.26	18	8.1	2500	500	FC-10	
3/4	1.30	33.02	.83	21.08	1.00	25.40	.64	16.26	10	4.5	1000	200	FC-12	
1	1.56	39.63	1.07	27.18	1.10	27.94	.63	16.00	13	5.8	1000	200	FC-16	
1 1/4	2.08	52.83	1.32	33.53	1.10	27.94	.62	15.75	20	9.0	1000	200	FC-20	
1 1/2	2.36	59.95	1.56	39.63	1.08	27.43	.62	15.75	12	5.4	500	100	FC-24	
1 3/4	2.76	70.11	1.83	46.48	1.14	28.96	.69	17.53	18	8.1	500	100	FC-28	
2	3.00	76.20	2.06	52.33	1.17	29.72	.63	16.00	11	4.9	250	50	FC-32	



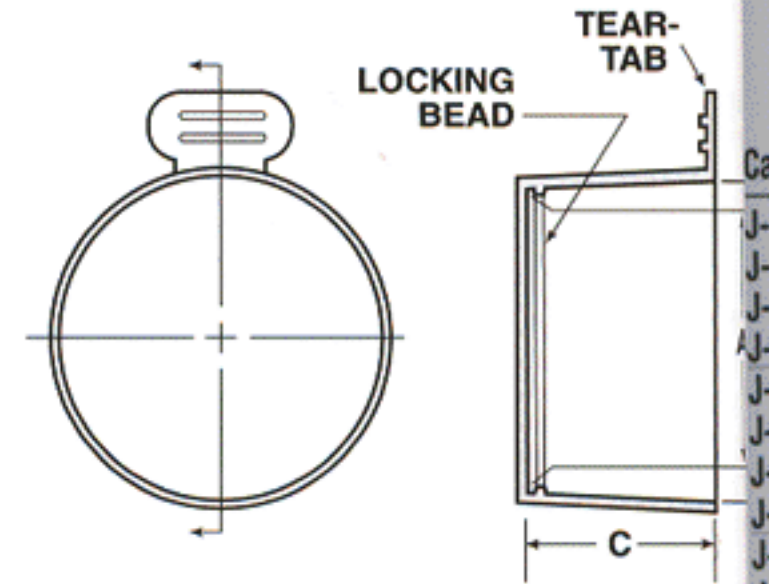
# CAPS non-threaded

## J Series Tear-Tab Caps for NPT Pipe Threads

Time-saving Series J Tear Caps slip easily over male NPT fittings and snap in place. Locking bead engages lead thread, holds cap on securely. Tear-Tab breaks seal for easy removal.

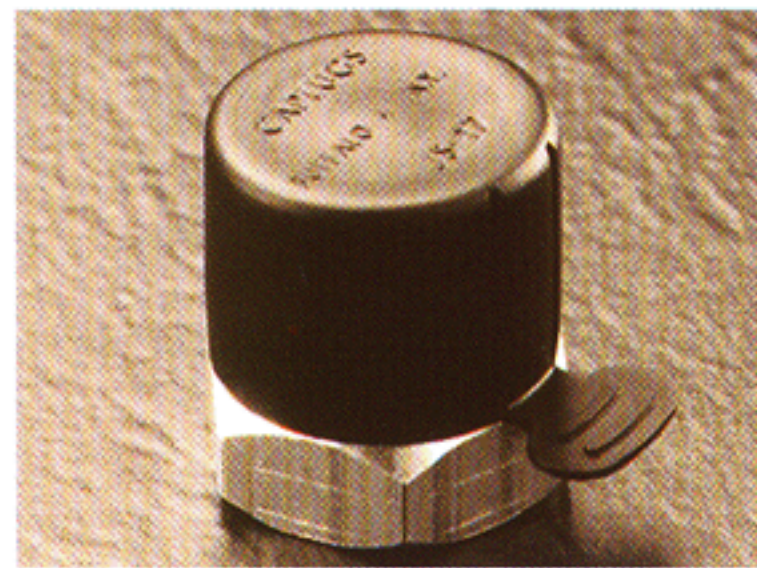


MATERIAL: Low Density Polyethylene  
COLOR\*: Blue

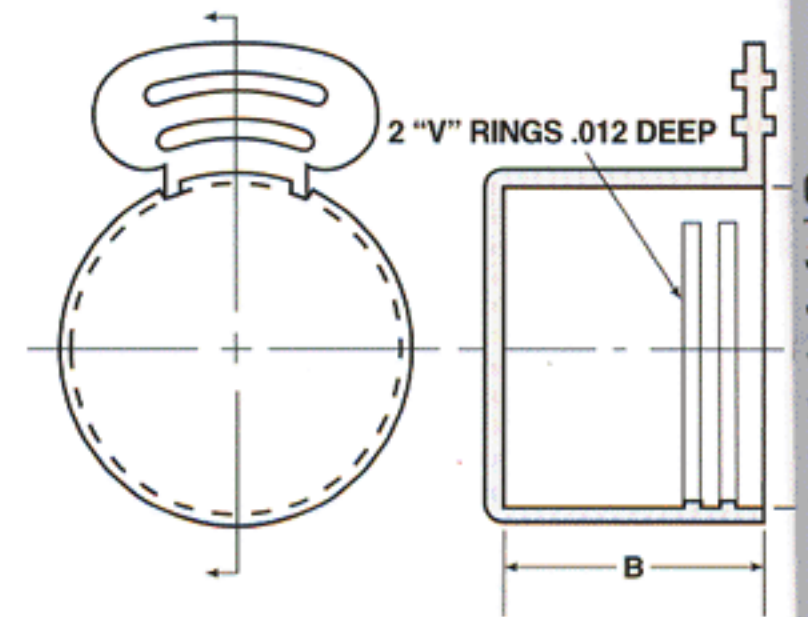


## JS Series Tear-Tab Caps for Straight Threads

Series JS Tear Caps for straight threads feature an extra-wide tab with gripping ribs on both top and bottom, making it easy to grab and tear off. Standard color for the JS is black.

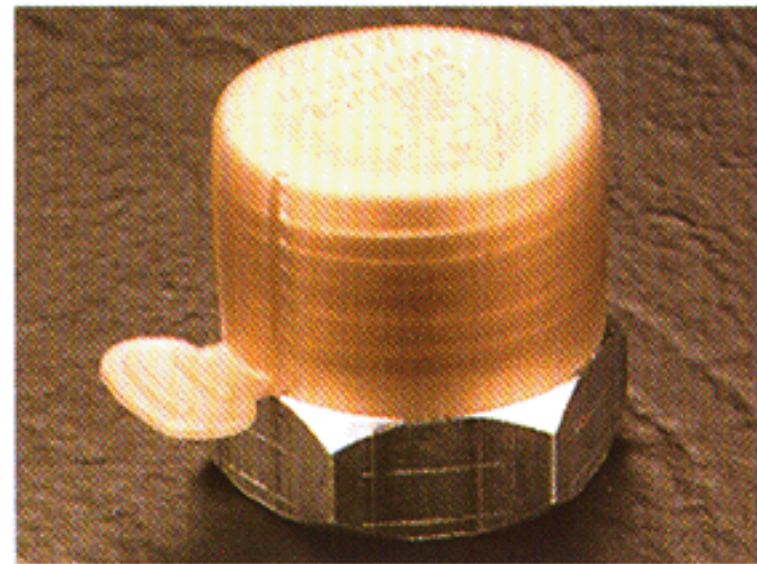


MATERIAL: Low Density Polyethylene  
COLOR\*: Black

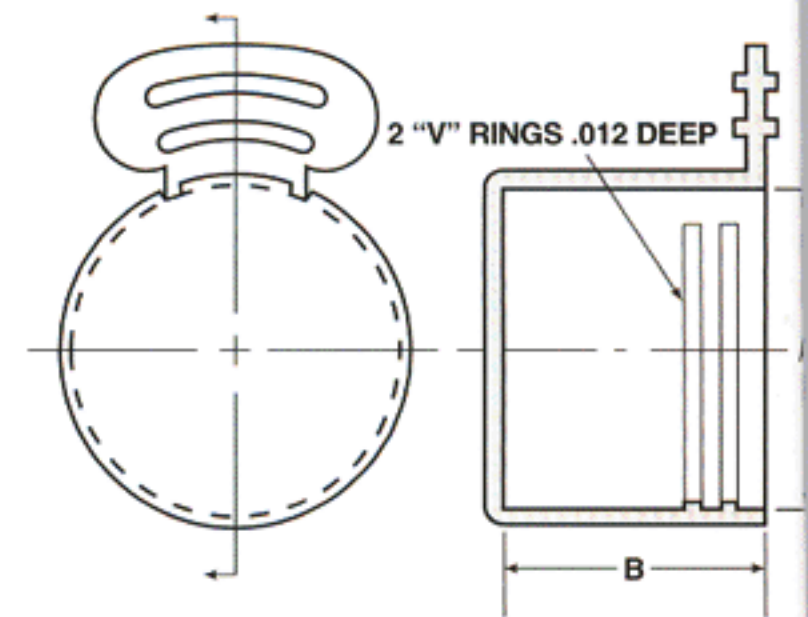


## MJS Series Tear-Tab Caps for Metric Threads

Series MJS Tear Caps for straight threads feature an extra-wide tab with gripping ribs on both top and bottom, making it easy to grab and tear off. The Series MJS fits metric threads. Standard color for the MJS is translucent gold, making it possible to view an O-ring on the fitting.



MATERIAL: Low Density Polyethylene  
COLOR\*: Gold

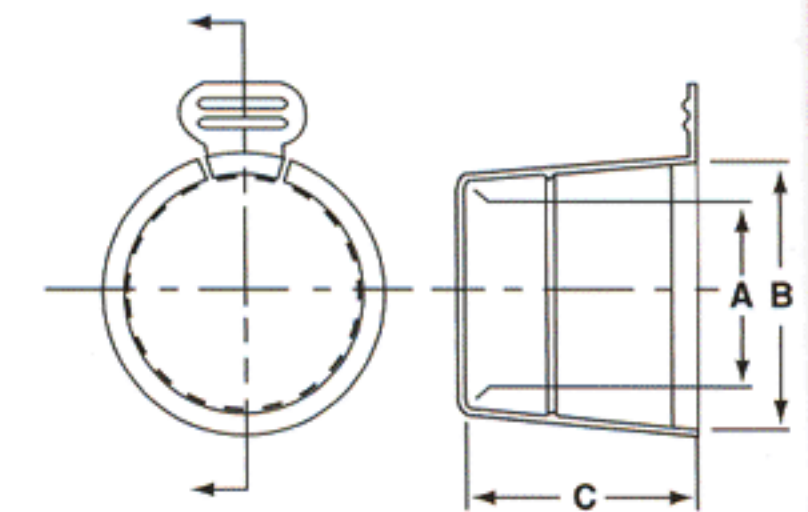


## MJ Series Tear-Tab Caps for Tapered Metric Threads

Series MJ Tear-Tab Caps slip easily over metric threads and snap in place. Locking bead engages lead thread and holds cap on securely. Tear-tab breaks for easy removal.



MATERIAL: Low Density Polyethylene  
COLOR: Red



EXPANDED

NEW



## J Series

Dimensions							Packaging				Caplug No.
To Fit Thread Size	A		B		C		Standard Carton		Mini Pak Quantity		
	in	mm	in	mm	in	mm	Shipping Wt. (Approx.) lbs	kgs		No. of Pieces	
1/8" NPT	.385	9.78	.405	10.29	.32	8.13	4	1.8	5000	1000	J-1/8
1/4" NPT	.512	13.00	.540	13.72	.49	12.45	7	3.1	5000	1000	J-1/4
3/8" NPT	.643	16.33	.675	17.15	.49	12.45	10	4.5	5000	1000	J-3/8
1/2" NPT	.800	20.32	.840	21.34	.64	16.26	14	6.3	5000	1000	J-1/2
3/4" NPT	1.005	25.53	1.050	26.67	.65	16.51	15	6.8	2500	500	J-3/4
1" NPT	1.261	32.03	1.315	33.40	.81	20.57	16	7.2	2500	500	J-1
1 1/4" NPT	1.604	40.74	1.660	42.16	.84	21.34	18	8.1	2000	400	J-1-1/4
1 1/2" NPT	1.841	46.76	1.900	48.26	.85	21.59	13	5.8	1000	200	J-1-1/2
2" NPT	2.313	58.75	2.375	60.33	.89	22.61	10	4.5	500	100	J-2
2 1/2" NPT	2.792	70.92	2.875	73.03	1.33	33.78	14	6.3	500	100	J-2-1/2
3" NPT	3.411	86.64	3.500	88.90	1.39	35.31	12	5.4	250	50	J-3

## JS Series

Dimensions							Packaging				Caplug No.
To Fit Tube Size	To Fit Thread Size		A		B		Standard Carton		Mini Pak Quantity		
	in	mm	in	mm	in	mm	Shipping Wt. (Approx.) lbs	kgs		No. of Pieces	
3/16	3/8-24	-	∅	∅	.44	11.18	7	3.2	5000	1000	JS-6
1/4	7/16-20	-	.428	10.87	.44	11.18	8	3.6	5000	1000	JS-7
5/16	1/2-20	-	∅	∅	.46	11.68	9	4.1	5000	1000	JS-8
3/8	9/16-18	-	∅	∅	.48	12.19	10	4.5	5000	1000	JS-9
3/8	5/8-18	-	.615	15.62	.48	12.19	11	4.9	5000	1000	JS-10
1/2	3/4-16	-	.740	18.80	.56	14.22	14	6.3	5000	1000	JS-12
5/8	7/8-14	-	.865	21.97	.70	17.78	19	8.6	5000	1000	JS-14
3/4	1 1/16-12	-	1.053	26.75	.83	21.08	14	6.3	2500	500	JS-17
1	1 5/16-12	-	∅	∅	.75	19.05	16	7.3	2500	500	JS-21

## MJS Series

Dimensions							Packaging				Caplug No.
To Fit Tube Size	To Fit Thread Size		A		B		Standard Carton		Mini Pak Quantity		
	in	mm	in	mm	in	mm	Shipping Wt. (Approx.) lbs	kgs		No. of Pieces	
3/8	-	M-18	.713	18.11	.56	14.2	13	5.8	5000	1000	MJS-18
1/2	-	M-20	.791	20.09	.56	14.2	15	6.8	5000	1000	MJS-20
5/8	-	M-22	.870	22.09	.48	12.2	15	6.8	5000	1000	MJS-22
3/4	-	M-27	1.067	27.10	.67	17.2	13	5.8	2500	500	MJS-27

## MJ Series

Dimensions						Packaging				Caplug No.
in	A		B		C	Standard Carton		Mini Pak Quantity		
	mm	in	mm	in		mm	Shipping Wt. (Approx.) lbs		kgs	
1.106	28.09	1.296	32.92	1.14	28.96	14	6.4	2500	500	MJ-3/4
1.289	32.74	1.500	38.10	1.20	30.48	12	5.4	1500	300	MJ-1





# CAPS non-threaded

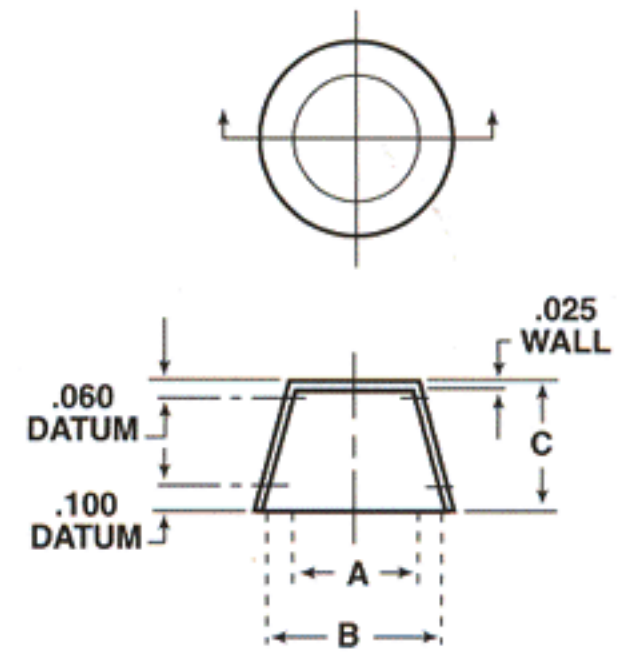
## PTC Series Tapered Paper Caps for Use in Capping



Manufactured from natural paper which is 100% recyclable, Series PTC Paper Caplugs are the answer for applications requiring "environmentally-friendly" components. These closures will withstand temperatures up to 400°F (204°C), making them ideal for high-temperature applications which may degrade typical plastic caps.



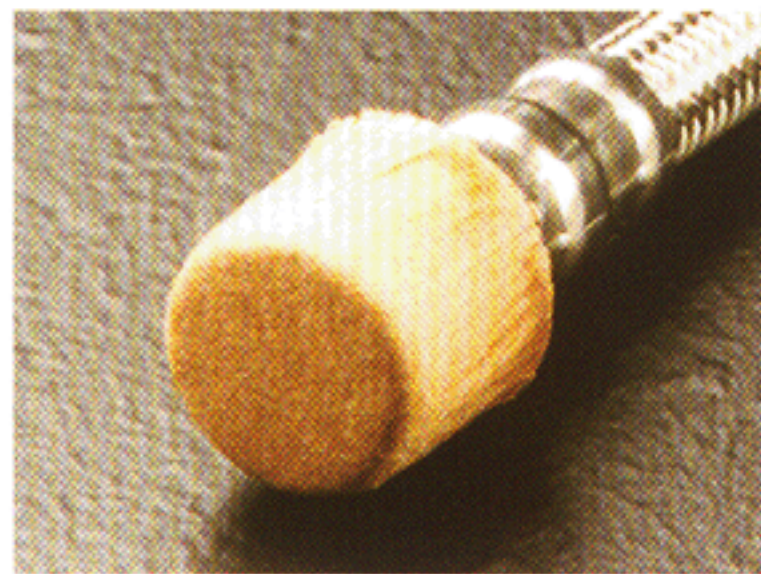
MATERIAL: 90 lb. Paperboard  
COLOR: Natural



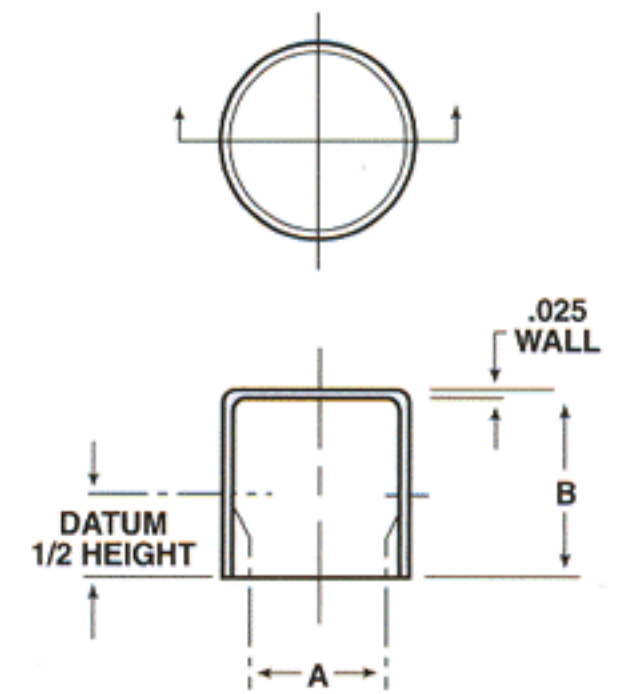
## PSC Series Straight Paper Caps for Use in Capping Flared Tube Fittings



PSC Series Paper Caplugs are manufactured from "environmentally-friendly" natural paper formulated from a blend of 90% virgin pulp and 10% post-consumer recycled paper. They are 100% recyclable. These closures will withstand temperatures up to 400°F (204°C), making them ideal for high-temperature applications which may degrade typical plastic caps.



MATERIAL: 90 lb. Paperboard  
COLOR: Natural



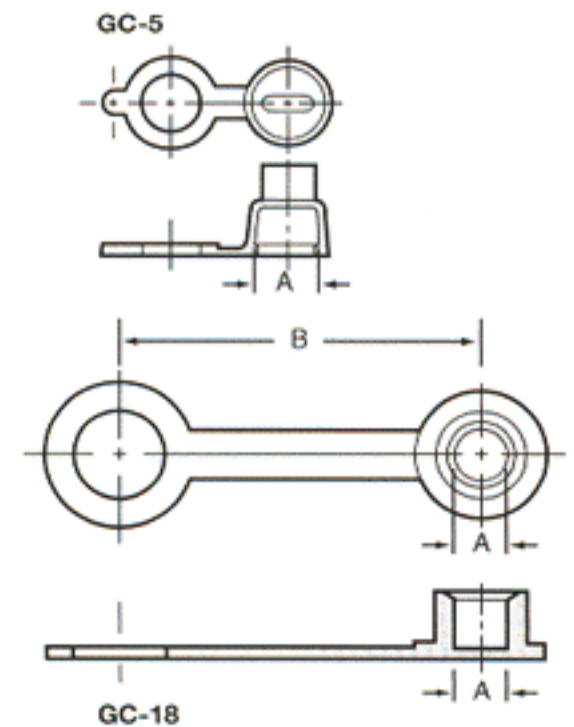
## GC Series Grease Caps



Series GC Grease Caps snap securely over fittings to seal out dirt and moisture. Integral retaining ring keeps cap in place during servicing. Color coding may be used to indicate type and/or frequency of lubrication. Caps also make good masks for spray painting. Available in two styles.



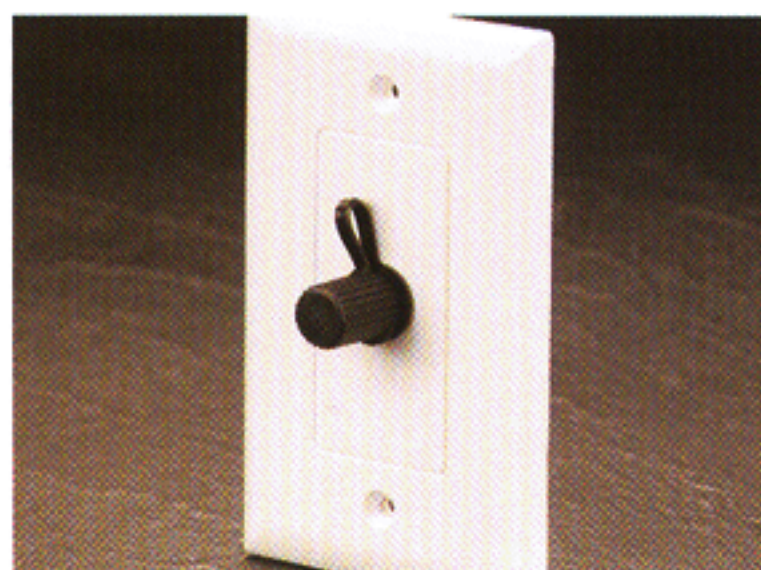
MATERIAL: Low Density Polyethylene  
COLOR\*: Red, Blue, Yellow, Green, Black, White



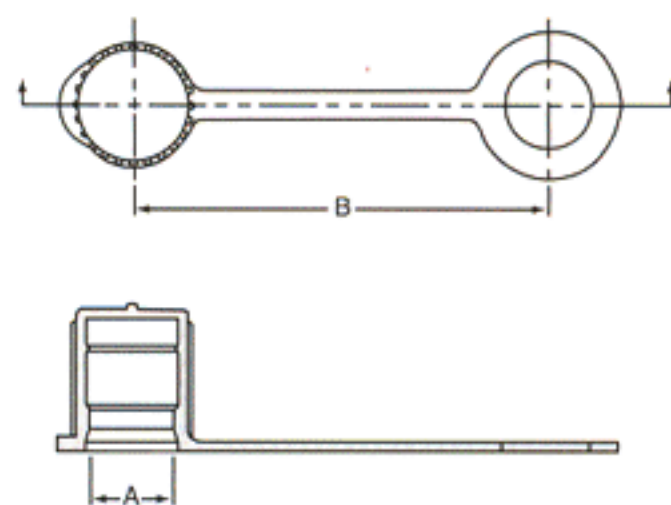
## CBC Series Coaxial Cable Connectors



Series CBC Coaxial Cable Connector Caps are used to protect cable connectors during packaging and shipping. Designed to fit a nominal 3/8" diameter, these tethered caps snap securely to keep out dirt and moisture.



MATERIAL: Low Density Polyethylene  
COLOR\*: Black





## PTC Series

Dimensions							Packaging				Caplug No.
To Fit Thread Size	A		B		C		Standard Carton		Mini Pak Quantity		
	in	mm	in	mm	in	mm	Shipping Wt. (Approx.)				
							lbs	kgs	No. of Pieces		
1/8	.366	9.30	.461	11.71	.43	10.92	15	6.8	25000	1000	PTC-S-26-3
1/4	.470	11.94	.511	12.98	.57	14.48	14	6.4	12000	1000	PTC-S-41-3
3/8	.648	16.46	.650	16.51	.53	13.46	19	8.6	16000	1000	PTC-S-24-3
1/2	.795	20.19	.901	22.89	.79	20.07	18	8.1	7000	1000	PTC-S-27-3
1	1.264	32.11	1.317	33.45	.75	19.05	15	6.8	3300	660	PTC-S-10-3
1 1/16	.938	23.83	1.058	26.87	.92	23.37	13	5.9	4000	800	PTC-S-35-3
1 1/4	1.603	40.72	1.669	42.39	.85	21.59	18	8.1	2700	540	PTC-S-51-3X
1 1/2	1.826	46.38	1.877	47.68	.98	24.89	13	5.9	1800	360	PTC-S-98-3
2	2.306	58.57	2.318	58.88	.83	21.08	14	6.4	1400	280	PTC-S-52-3
2 1/2	2.792	70.92	2.824	71.73	.97	24.64	10	4.5	800	160	PTC-S-67-3X
3	3.299	83.80	3.618	91.90	1.11	28.20	9	4.1	500	100	PTC-S-25-3

↳ Recommended for external threaded fittings.

## PSC Series

Dimensions					Packaging				Caplug No.
To Fit Thread Size	A		B		Standard Carton		Mini Pak Quantity		
	in	mm	in	mm	Shipping Wt. (Approx.)				
					lbs	kgs	No. of Pieces		
1/8	.289	7.34	.48	12.19	12	5.4	22000	1000	PSC-S-11-3
3/16	.360	9.14	.46	11.68	16	7.2	25000	1000	PSC-S-26-3
1/4	.416	10.57	.54	13.72	16	7.2	18000	1000	PSC-S-29-3
5/16	.491	12.47	.58	14.73	15	6.8	12500	1000	PSC-S-41-3
3/8	.598	15.19	.63	16.00	12	5.4	8000	1000	PSC-S-34-3
1/2	.717	18.21	.82	20.83	18	8.1	8500	1000	PSC-S-30-3
5/8	.876	22.25	.88	22.35	17	7.7	5500	1000	PSC-S-47-3
3/4	1.001	25.43	.92	23.37	15	6.8	4000	800	PSC-S-35-3
1	1.262	32.06	1.12	28.45	17	7.7	3400	680	PSC-S-5-3X
1 1/4	1.569	39.85	1.28	32.51	15	6.8	1800	360	PSC-S-64-3
1 1/2	1.852	47.04	1.02	25.91	13	5.9	1800	360	PSC-S-98-3X

## GC Series

Dimensions				Packaging				Caplug No.	
in	A		in	B		Standard Carton			
	mm	mm		mm	mm	Shipping Wt. (Approx.)			
					lbs	kgs	No. of Pieces		
.234	5.94		.47	11.94	2	0.9	2500	500	GC-5
.227	5.77		1.52	38.61	3	1.3	2500	500	GC-18

## CBC Series

Dimensions					Packaging				Caplug No.
To Fit Thread Size	A		B		Standard Carton		Mini Pak Quantity		
	in	mm	in	mm	Shipping Wt. (Approx.)				
					lbs	kgs	No. of Pieces		
3/8	.360	9.14	1.75	44.45	10	4.5	5000	1000	CBC-6



# CAPS non-threaded

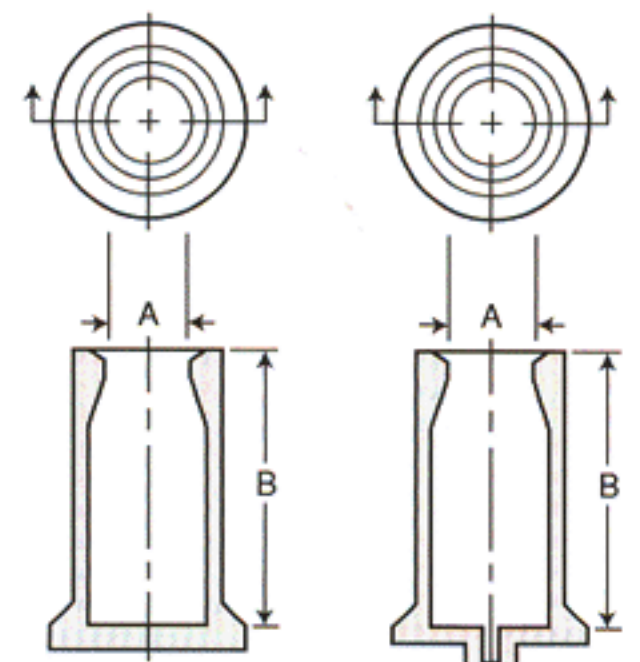
## SFC Series Silicone Flange Caps



Series SFC Flange Caps feature a design which simplifies the application and removal of the cap. An internal lip on the open end provides a positive seal to prevent paint and other contaminants from seeping onto the part. A flanged head enables the cap to be manually removed with ease. Some sizes have provisions for venting air which may unseat the closure during processing at high temperatures.



**MATERIAL:** Silicone Rubber  
**COLOR\*:** Natural

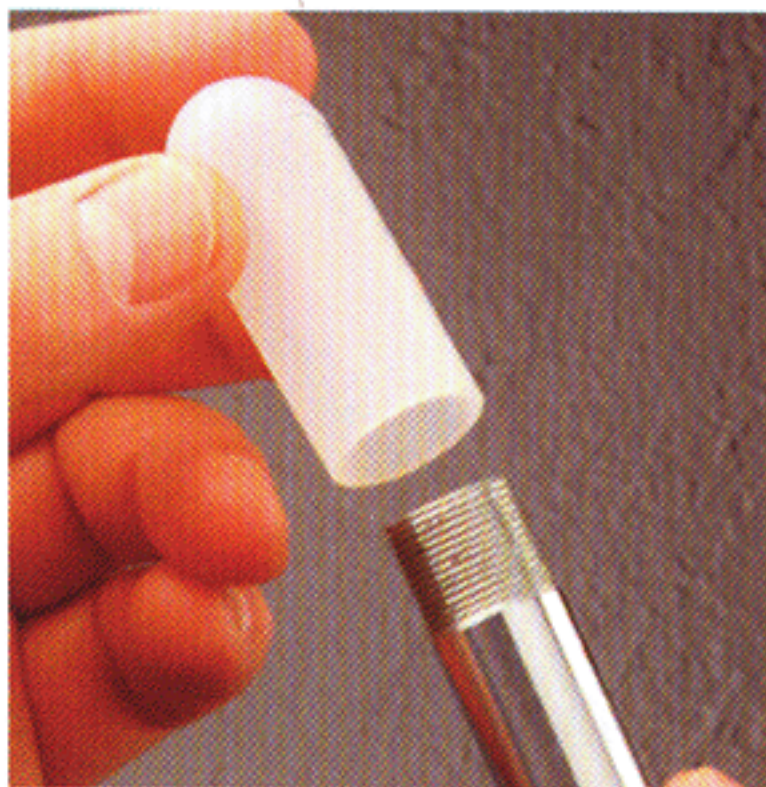


Venting hole available only on SFC-156-32 and SFC-234-32

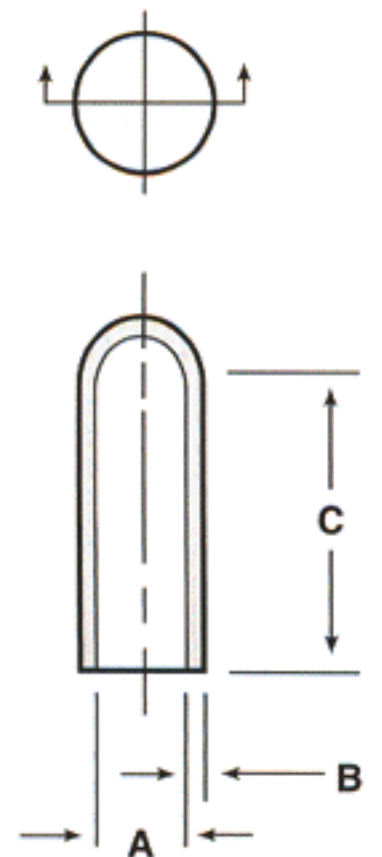
## SRC Series Silicone Rubber Caps



Silicone Rubber Caplugs are ideal for protecting and masking parts undergoing painting, plating, powder coating, anodizing, abrasive chemical processing, or exposure to high temperatures up to 600°F (316°C). Molded from a specially formulated grade of silicone rubber, these Caplugs contain no coloring agents which could bleed under high temperatures. SRC Series Silicone Rubber Caps are suited especially for covering studs, tube ends, and other projections.



**MATERIAL:** Silicone Rubber  
**COLOR\*:** Natural





## SFC Series

Dimensions					Packaging			Caplug No.
A		B		Standard Carton		Mini Pak Quantity		
in	mm	in	mm	Shipping Wt. (Approx.)				
				lbs	kgs	No. of Pieces		
.156	3.96	2.00	50.80	5	2.2	500	100	SFC-156-32
.187	4.74	1.75	44.45	4	1.8	500	100	SFC-187-28
.234	5.94	2.00	50.80	5	2.2	500	100	SFC-234-32
.294	7.46	1.31	33.27	4	1.8	500	100	SFC-294-21
.315	8.00	1.00	25.40	3	1.3	250	50	SFC-315-16
.380	9.65	1.00	25.40	2	0.9	100	20	SFC-380-16
.438	11.12	1.00	25.40	2	0.9	100	20	SFC-438-16
.608	15.44	1.50	38.10	2	0.9	100	20	SFC-608-24

## SRC Series

Dimensions								Packaging			Caplug No.	
To Fit Stud Size		A		B		C		Standard Carton		Mini Pak Quantity		
in	mm	in	mm	in	mm	in	mm	Shipping Wt. (Approx.)	No. of Pieces			
								lbs	kgs			
-	-	.040	1.02	.05	1.27	.75	19.05	2	0.9	1000	200	SRC-040-12
-	-	.080	2.03	.06	1.52	.75	19.05	2	0.9	1000	200	SRC-080-12
4	101.60	.093	2.36	.05	1.27	.75	19.05	2	0.9	1000	150	SRC-093-12
5	127.00	.109	2.77	.05	1.27	.75	19.05	2	0.9	1000	150	SRC-109-12
6	152.41	.125	3.18	.06	1.52	1.00	25.40	2	0.9	1000	150	SRC-125-16
-	-	.140	3.56	.06	1.52	1.00	25.40	3	1.3	1000	200	SRC-140-16
-	-	.156	3.96	.06	1.52	1.00	25.40	2	0.9	1000	100	SRC-156-16
-	-	.172	4.37	.06	1.52	1.00	25.40	3	1.3	1000	100	SRC-172-16
12	304.81	.187	4.75	.06	1.52	1.00	25.40	3	1.3	1000	100	SRC-187-16
-	-	.218	5.54	.06	1.52	1.00	25.40	4	1.8	1000	100	SRC-218-16
1/4	6.35	.234	5.94	.06	1.52	1.00	25.40	4	1.8	1000	100	SRC-234-16
1/4	6.35	.250	6.35	.06	1.52	1.00	25.40	4	1.8	1000	100	SRC-250-16
-	-	.281	7.14	.06	1.52	1.00	25.40	4	1.8	1000	100	SRC-281-16
5/16	7.94	.312	7.93	.06	1.52	1.00	25.40	5	2.2	1000	80	SRC-312-16
3/8	9.53	.375	9.53	.06	1.52	1.00	25.40	5	2.2	1000	80	SRC-375-16
-	-	.406	10.31	.06	1.52	1.00	25.40	2	0.9	200	50	SRC-406-16
-	-	.500	12.70	.06	1.52	1.50	38.10	2	0.9	200	50	SRC-500-24
-	-	.562	14.27	.06	1.52	1.50	38.10	3	1.3	200	40	SRC-562-24
-	-	.625	15.88	.06	1.52	1.50	38.10	3	1.3	200	50	SRC-625-24
-	-	.687	17.45	.06	1.52	1.50	38.10	4	1.8	200	50	SRC-687-24
-	-	.750	19.05	.06	1.52	1.50	38.10	4	1.8	200	50	SRC-750-24
-	-	.812	20.62	.06	1.52	1.50	38.10	6	2.7	200	40	SRC-812-24
-	-	.875	22.22	.06	1.52	1.50	38.10	6	2.7	200	40	SRC-875-24
-	-	.937	23.79	.06	1.52	1.50	38.10	7	3.1	200	40	SRC-937-24
-	-	1.000	25.40	.06	1.52	1.50	38.10	7	3.1	200	40	SRC-1000-24
-	-	1.062	26.97	.06	1.52	1.50	38.10	5	2.2	100	20	SRC-1062-24
-	-	1.125	28.57	.06	1.52	1.50	38.10	6	2.7	100	20	SRC-1125-24
-	-	1.187	30.14	.06	1.52	1.50	38.10	6	2.7	100	20	SRC-1187-24
-	-	1.250	31.75	.06	1.52	1.50	38.10	7	3.1	100	20	SRC-1250-24
-	-	1.375	34.92	.06	1.52	1.50	38.10	7	3.1	100	20	SRC-1375-24
-	-	1.500	38.10	.06	1.52	1.75	44.45	8	3.6	100	20	SRC-1500-28
-	-	1.625	41.27	.06	1.52	2.00	50.80	7	3.1	100	20	SRC-1625-32
-	-	1.750	44.45	.06	1.52	2.00	50.80	8	3.6	100	20	SRC-1750-32
-	-	1.875	47.62	.06	1.52	2.00	50.80	8	3.6	100	20	SRC-1875-32
-	-	2.000	50.80	.06	1.52	2.00	50.80	9	4.1	100	20	SRC-2000-32



# CAPS non-threaded

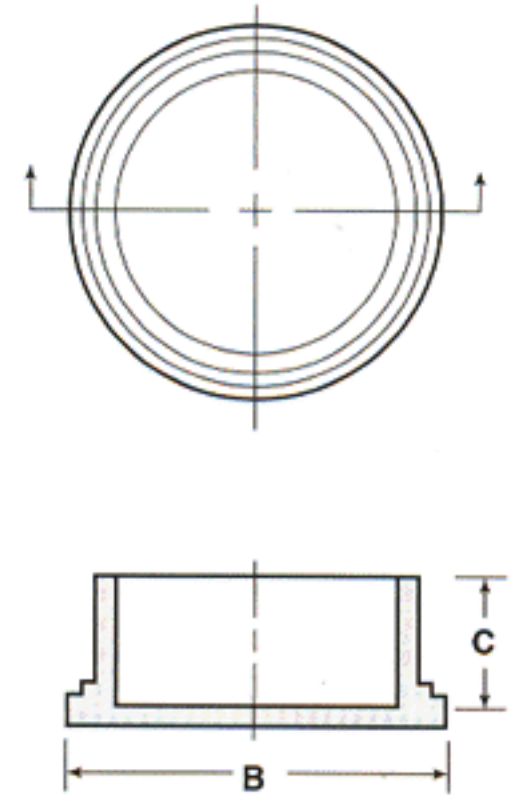
## SEC Series Electrostatic-Free Caps for Threaded Connectors



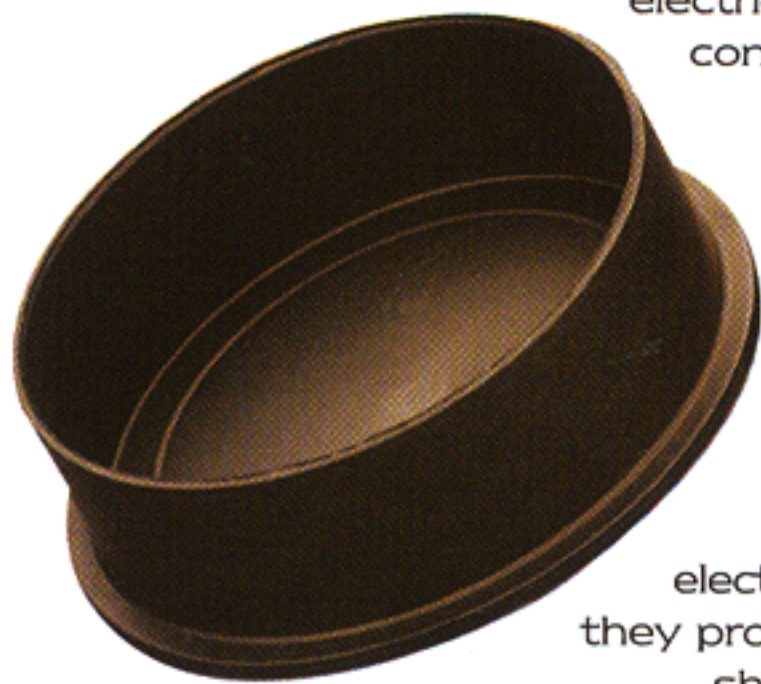
Static Dissipative SEC Series Caplugs provide positive ESD and physical protection for all common sizes of threaded electrical and electronic connectors. Also suitable for protecting non-threaded bayonet-type connectors.



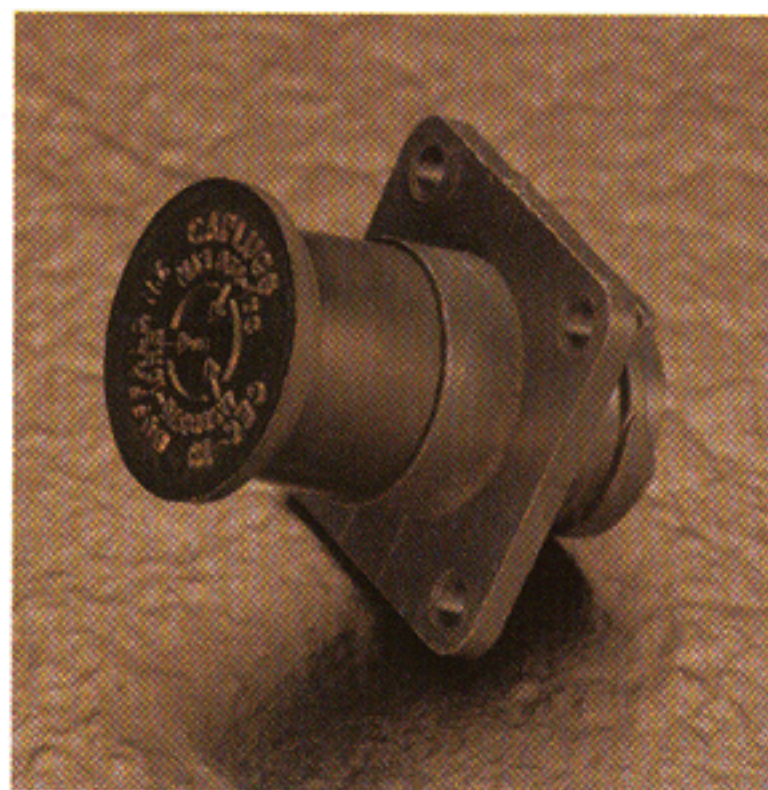
**MATERIAL:** Static Dissipative Polyethylene  
**COLOR:** Pink



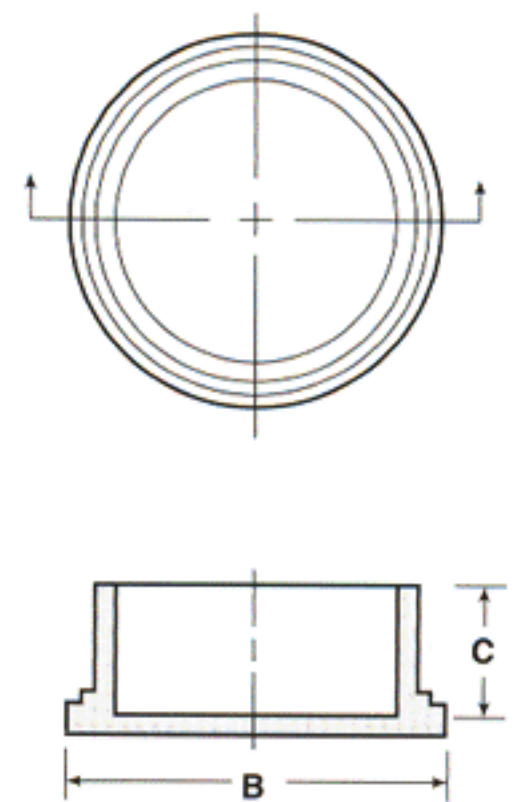
## CEC Series Conductive Caps



For all common sizes of threaded electrical and electronic connectors, Caplugs CEC Conductive Caps are also suitable for protecting non-threaded bayonet-type connectors. In addition to dissipating electrostatic charges, they provide an electrical shield over the end of the connector.



**MATERIAL:** Conductive Polyethylene  
**COLOR:** Black



# non-threaded CAPS



## SEC Series

MS-90376-RF, NAS-831B

Dimensions					Packaging			Mini Pak Quantity	Caplug No.
To Fit Thread Size	B		C		Standard Carton**				
	in	mm	in	mm	Shipping Wt. (Approx.)		No. of Pieces		
					lbs	kgs			
1/4	.48	12.19	.50	12.70	7	3.1	5000	1000	SEC-04
5/16	.55	13.97	.56	14.22	8	3.6	5000	1000	SEC-05
3/8	.62	15.75	.50	12.70	9	4.0	5000	1000	SEC-06
1/2	.74	18.79	.50	12.70	10	4.5	5000	1000	SEC-08
9/16	.78	19.81	.44	11.18	11	4.9	5000	1000	SEC-09
5/8	.84	21.34	.50	12.70	11	4.9	5000	1000	SEC-10
3/4	.97	24.63	.50	12.70	15	6.8	5000	1000	SEC-12
7/8	1.12	28.44	.50	12.70	18	8.1	5000	1000	SEC-14
1	1.22	30.98	.50	12.70	11	4.9	2500	500	SEC-16
1 1/8	1.33	33.78	.56	14.22	12	5.4	2500	500	SEC-18
1 3/16	1.40	35.56	.56	14.22	13	5.8	2500	500	SEC-19
1 1/4	1.46	37.09	.56	14.22	17	7.6	2500	500	SEC-20
1 3/8	1.59	40.39	.56	14.22	17	7.6	2500	500	SEC-22
1 7/16	1.65	41.91	.56	14.22	11	4.9	1000	200	SEC-23
1 1/2	1.70	43.18	.56	14.22	18	8.1	2500	500	SEC-24
1 9/16	1.73	43.94	.48	12.19	17	7.6	2500	500	SEC-25
1 5/8	1.91	48.51	.55	13.97	12	5.4	1000	200	SEC-26
1 3/4	1.95	49.53	.56	14.22	13	5.8	1000	200	SEC-28
2	2.20	55.88	.56	14.22	13	5.8	1000	200	SEC-32
2 1/4	2.43	61.72	.60	15.24	16	7.2	1000	200	SEC-36
2 1/2	2.68	68.07	.62	15.75	17	7.6	1000	200	SEC-40
2 3/4	2.96	75.19	.60	15.24	11	4.9	500	100	SEC-44
3	3.22	81.78	.60	15.24	14	6.3	500	100	SEC-48

## CEC Series

MS-90376-RB, NAS-831C

Dimensions					Packaging			Mini Pak Quantity	Caplug No.
To Fit Thread Size	B		C		Standard Carton**				
	in	mm	in	mm	Shipping Wt. (Approx.)		No. of Pieces		
					lbs	kgs			
1/4	.48	12.19	.49	12.45	7	3.1	5000	1000	CEC-04
5/16	.56	14.22	.56	14.22	9	4.0	5000	1000	CEC-05
3/8	.62	15.75	.51	12.95	10	4.5	5000	1000	CEC-06
1/2	.73	18.54	.50	12.70	13	5.8	5000	1000	CEC-08
5/8	.84	21.34	.50	12.70	15	6.8	5000	1000	CEC-10
3/4	.97	24.64	.50	12.70	19	8.6	5000	1000	CEC-12
7/8	1.15	29.21	.50	12.70	23	10.3	5000	1000	CEC-14
1	1.23	31.24	.50	12.70	14	6.3	2500	500	CEC-16
1 1/8	1.36	34.55	.56	14.22	16	7.2	2500	500	CEC-18
1 3/16	1.42	36.07	.56	14.22	18	8.1	2500	500	CEC-19
1 1/4	1.48	37.59	.57	14.48	24	10.8	2500	500	CEC-20
1 3/8	1.63	41.40	.57	14.48	23	10.3	2500	500	CEC-22
1 7/16	1.68	42.67	.56	14.22	9	4.0	1000	200	CEC-23
1 1/2	1.70	43.18	.56	14.22	24	10.8	2500	500	CEC-24
1 9/16	1.75	44.45	.50	12.70	25	11.2	2500	500	CEC-25
1 5/8	1.93	49.02	.56	14.22	13	5.8	1000	200	CEC-26
1 3/4	2.01	51.06	.56	14.22	16	7.2	1000	200	CEC-28
1 13/16	2.03	51.56	.56	14.22	14	6.3	1000	200	CEC-29
2	2.23	56.64	.55	13.97	17	7.6	1000	200	CEC-32
2 1/4	2.46	62.49	.62	15.75	19	8.6	1000	200	CEC-36
2 1/2	2.70	68.58	.62	15.75	17	7.6	1000	200	CEC-40
2 3/4	2.99	75.95	.62	15.75	11	4.9	500	100	CEC-44
3	3.27	83.06	.60	15.24	14	6.3	500	100	CEC-48
4	4.19	106.43	1.01	25.66	10	4.5	200	40	CEC-64

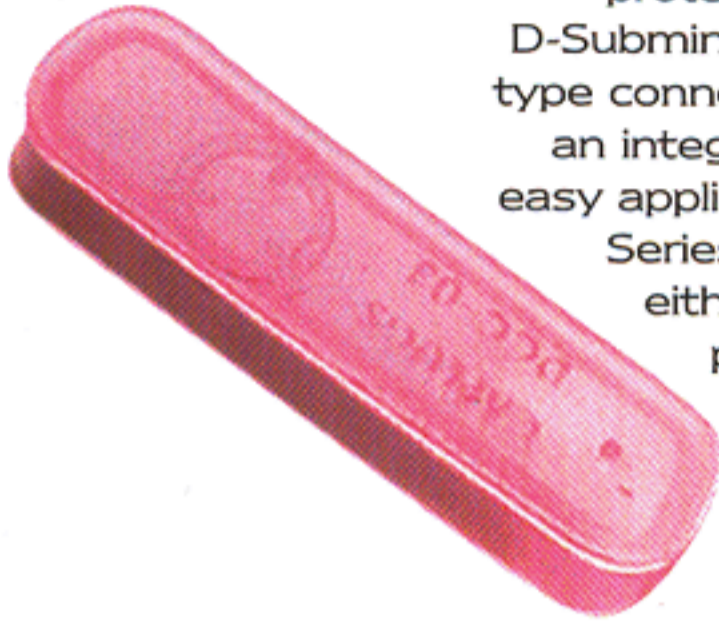
Dispersive Caplugs and CEC Conductive Caplugs are packaged in static dissipative poly bags.



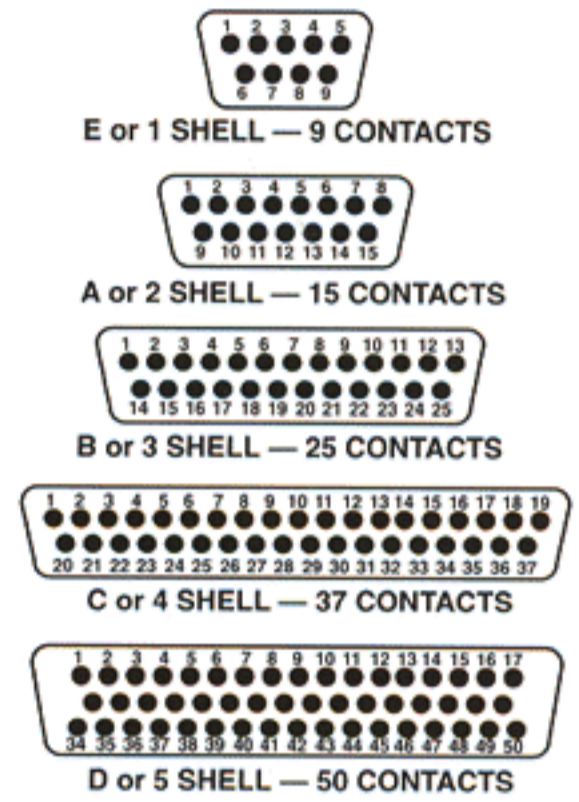
# CAPS non-threaded

## DCC Series Static Dissipative and Conductive Protectors for D-Subminiature Connectors

DCC Series Caplugs are designed to provide electrostatic discharge protection of rectangular D-Subminiature input/output-type connectors. Molded with an integral flange to enable easy application and removal, Series DCC is available in either black conductive polyethylene or pink static dissipative ethylene vinyl acetate.

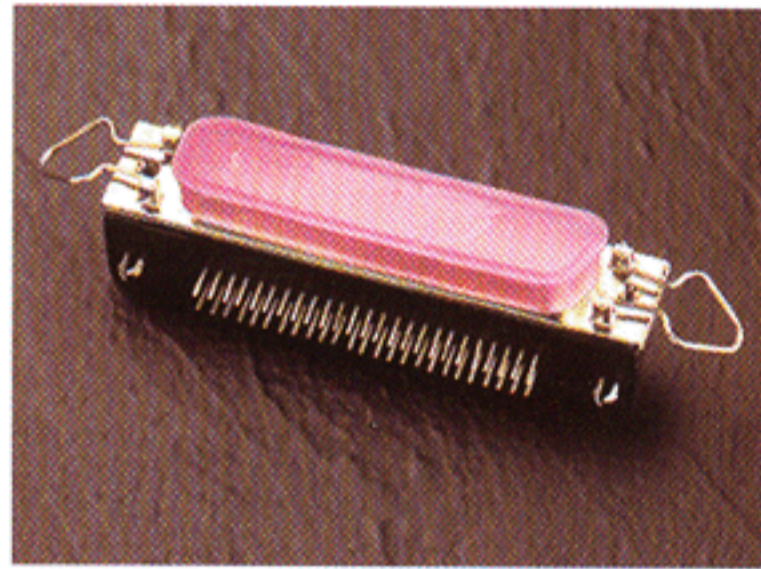


**MATERIAL:** Static Dissipative Ethylene Vinyl Acetate or Conductive Polyethylene  
**COLOR:** Pink or Black

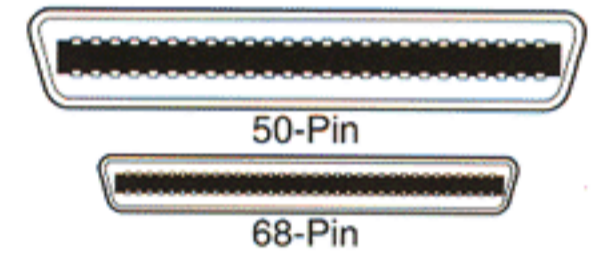


## EMC Series Static Dissipative and Conductive Protectors for Electro Miniature Connectors

EMC Series Caplugs fit 68-pin SCSI connectors and 50-pin Champ-type connectors. Series EMC is available in either black conductive polyethylene or pink static dissipative ethylene vinyl acetate.

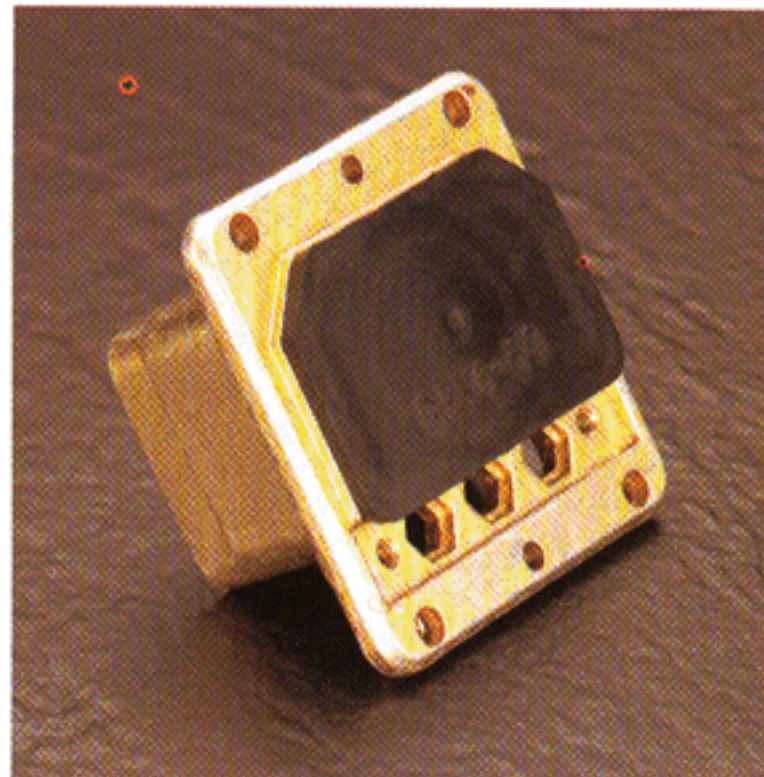


**MATERIAL:** Static Dissipative Ethylene Vinyl Acetate or Conductive Polyethylene  
**COLOR:** Pink or Black

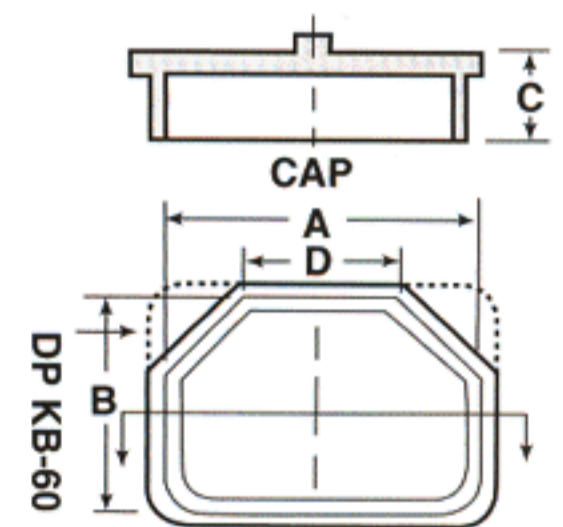


## DP Series Conductive Caps

DP Series Conductive Caplugs are designed to dissipate electrostatic charges, provide mechanical protection and an electrical shielding for ITT Cannon-style connectors commonly used in aerospace and military applications.



**MATERIAL:** Conductive Polyethylene  
**COLOR:** Black





## DCC Series

Dimensions		Packaging				Caplug No.
		Standard Carton**		No. of Pieces	Mini Pak Quantity	
Standard No. of Contacts*	Contact Type	Shipping Wt. (Approx.)				No. of Pieces
		lbs	kgs			
9	Socket	7	3.1	5000	1000	DCC-01
9	Pin	7	3.1	5000	1000	DCC-11
15	Socket	11	4.9	5000	1000	DCC-02
15	Pin	11	4.9	5000	1000	DCC-12
25	Socket	17	7.6	5000	1000	DCC-03
25	Pin	17	7.6	5000	1000	DCC-13
37	Socket	19	8.6	5000	1000	DCC-04
37	Pin	19	8.6	5000	1000	DCC-14
50	Socket	20	9.0	4000	800	DCC-05
50	Pin	20	9.0	4000	800	DCC-15

\*fit "high density" and "double density" connectors. \*\* All DCC Static Dissipative Caplugs are packaged in static dissipative poly bags.

## EMC Series

Dimensions		Packaging				Caplug No.
		Standard Carton**		No. of Pieces	Mini Pak Quantity	
Standard No. of Contacts*	Contact Type	Shipping Wt. (Approx.)				No. of Pieces
		lbs	kgs			
50	Receptacle	20	9.07	1000	200	EMC-50
68	Receptacle	20	9.07	5000	1000	EMC-68

\*fit "high density" and "double density" connectors. \*\* All EMC Static Dissipative Caplugs are packaged in static dissipative poly bags.

## DP Series

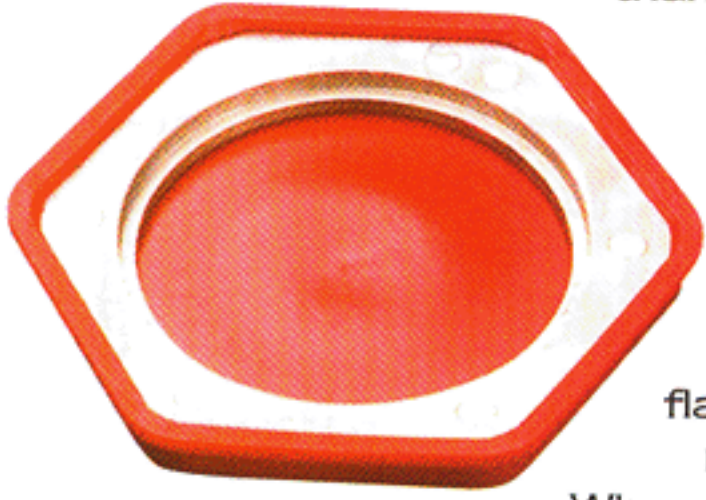
Dimensions								Packaging				Caplug No.
								Standard Carton		Mini Pak Quantity		
A		B		C		D		Shipping Wt. (Approx.)			No. of Pieces	Mini Pak Quantity
in	mm	in	mm	in	mm	in	mm	lbs	kgs			
1.611	40.92	.981	24.92	.67	17.02	1.14	28.96	6	2.72	500	100	DP XA-59
3.351	85.12	.990	25.15	.57	14.73	-	-	6	2.72	200	40	DP KB-60



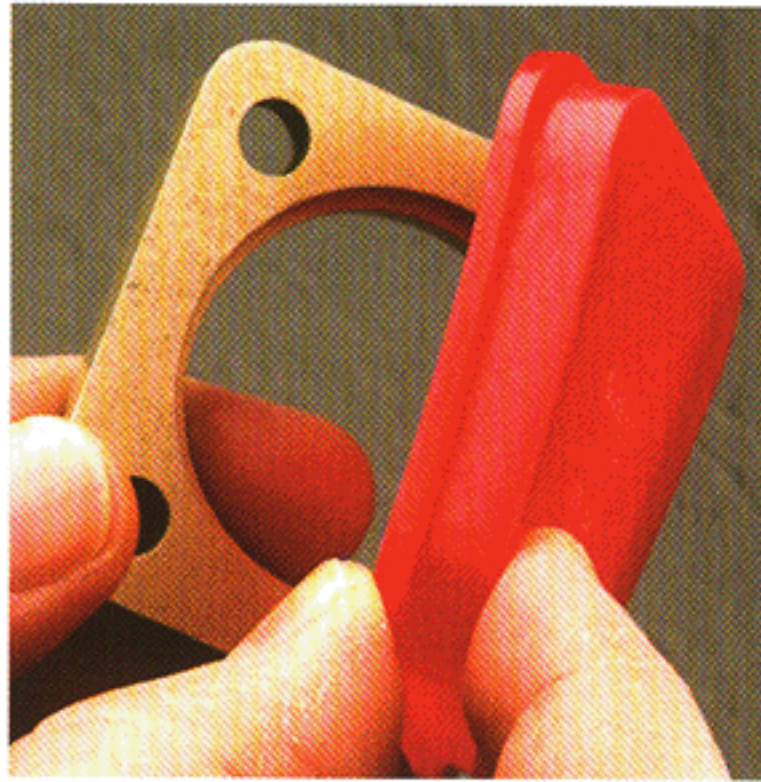


# CAPS non-threaded

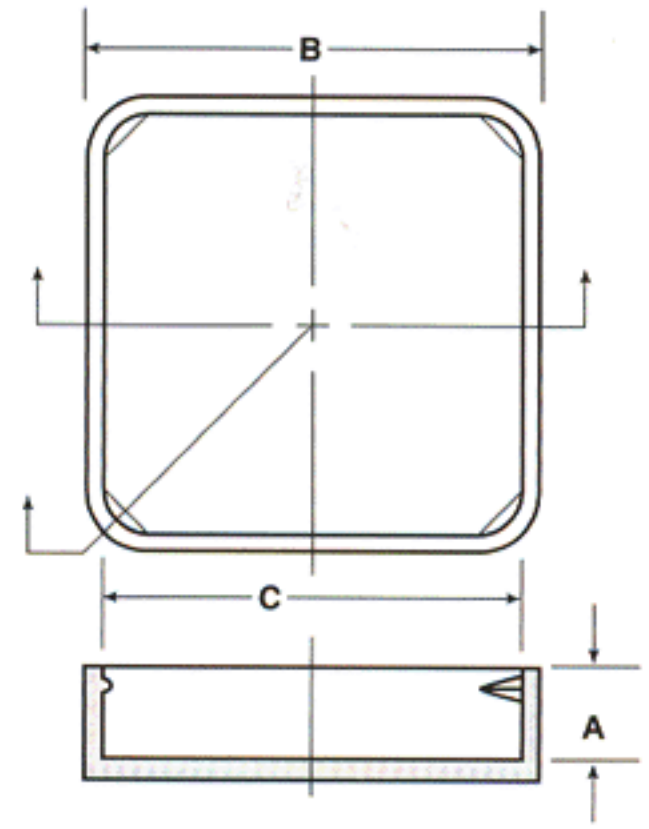
## FF Series Caps for Flanged and Flange-Mounted Fittings



Available in square, hexagonal, and triangular shapes, Series FF can be used with a variety of flanged and flange-mounted fittings. They effectively seal dirt out of the fitting and protect the flange surface against nicks and scratches. When fittings are provided with slip-on flanges, Series FF Caps keep the assemblies intact during handling and shipping.



**MATERIAL:** Low Density Polyethylene  
**COLOR\*:** Red



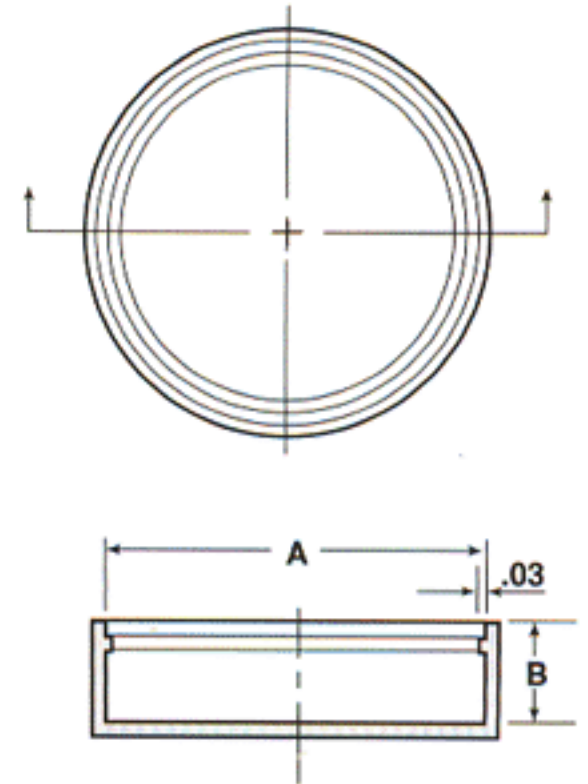
## HSF Series Caps for High Pressure Split-Flange Connections



Series HSF Caps are designed to protect high pressure split-flange hydraulic connections. These caps push on easily and fit securely with an internal bead providing a positive locking grip.



**MATERIAL:** Low Density Polyethylene  
**COLOR\*:** Natural



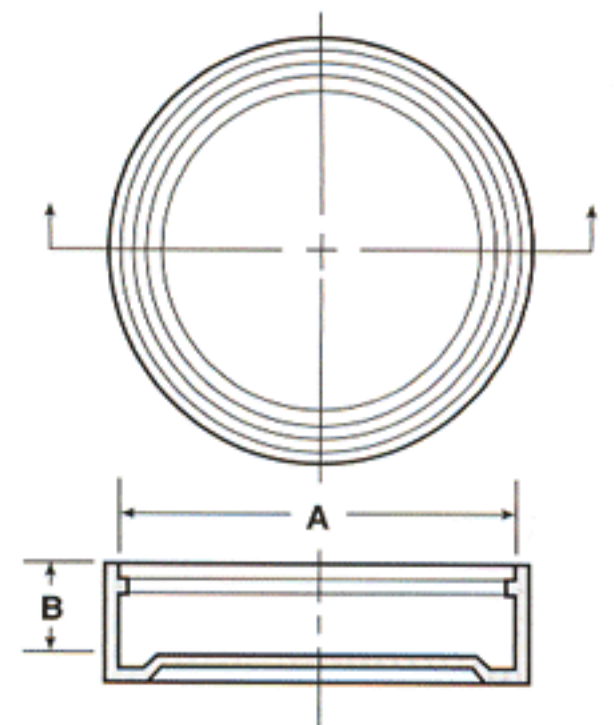
## SF Series Caps for Split-Flange Connections



Series SF Caps and Covers are designed to protect four-bolt split-flange connections. Series SF Caps push on easily and fit securely with an internal bead providing a positive locking grip. Because the SF Cap is made of natural, translucent polyethylene, the O-ring remains visible even after the closure is applied.



**MATERIAL:** Low Density Polyethylene  
**COLOR\*:** Natural



EXPANDED



## FF Series

Dimensions								Packaging				Caplug No.
Shape	To Fit Nominal Flange Size	A		B		C		Standard Carton		Mini Pak Quantity		
		in	mm	in	mm	in	mm	Shipping Wt. (Approx.)	No. of Pieces			
								lbs	kgs			
Square	AN-756-12	.37	9.39	1.68	42.67	1.62	41.14	8	3.6	1000	200	FF-26
Square	AN-756-16	.36	9.14	1.84	46.73	1.78	45.21	9	4.0	1000	200	FF-28
Square	-	.34	8.63	2.11	53.59	2.05	52.07	12	5.4	1000	200	FF-32
Square	AN-756-20	.37	9.39	2.28	57.91	2.22	56.38	7	3.1	500	100	FF-35
Square	AN-756-24	.41	10.41	2.49	63.24	2.40	60.96	8	3.6	500	100	FF-38
Square	MS-9244-32	.44	11.17	2.65	67.31	2.59	65.78	8	3.6	500	100	FF-41
Square	AN-756-32	.42	10.66	3.09	78.48	3.03	76.96	11	4.9	500	100	FF-48
Triangle	MS-9233-24	.44	11.17	-	-	-	-	7	3.1	500	100	FF-39
Hex	AN-756-40	.43	10.92	-	-	-	-	12	5.4	250	50	FF-64
Hex	AN-756-48	.43	10.92	-	-	-	-	14	6.3	250	50	FF-72

## HSF Series

Dimensions						Packaging				Caplug No.
To Fit Nominal Flange Size	A		B		Shipping Wt. (Approx)		No. of Pieces	Mini Pak Quantity		
	in	mm	in	mm	lbs	kgs				
1/2	1.28	32.5	.51	13.0	11	4.9	3000	600	HSF-8	
3/4	1.66	42.2	.55	14.0	14	6.3	2000	400	HSF-12	
1	1.90	48.3	.58	14.7	9	4.0	1000	200	HSF-16	
1 1/4	2.16	54.9	.61	15.5	11	4.9	1000	200	HSF-20	
1 1/2	2.53	64.3	.70	19.6	12	5.4	800	160	HSF-24	
2	3.16	80.3	.70	19.6	10	4.5	500	100	HSF-32	

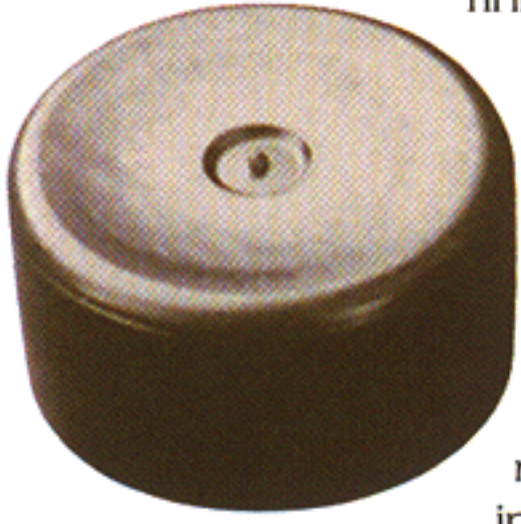
## SF Series

Dimensions						Packaging				Caplug No.
To Fit Nominal Flange Size	To Fit Ferrule Size	A		B		Shipping Wt. (Approx)		No. of Pieces	Mini Pak Quantity	
		in	mm	in	mm	lbs	kgs			
-	1/2, 3/4	1.02	25.91	.34	8.64	14	6.4	5000	1000	SF-7
1/2	-	1.19	30.23	.39	9.91	11	4.9	2500	500	SF-8
5/8	-	1.35	34.29	.39	9.91	14	6.3	2500	500	SF-10
3/4	-	1.50	38.10	.39	9.91	15	6.8	2500	500	SF-12
1	-	1.75	44.45	.44	11.18	19	8.6	2500	500	SF-16
1 1/4	-	2.00	50.80	.44	11.18	10	4.5	1000	200	SF-20
1 1/2	-	2.38	60.45	.44	11.18	13	5.8	1000	200	SF-24
-	2	2.53	64.26	.32	8.13	11	5.0	1000	200	SF-28
2	-	2.81	71.38	.50	12.70	16	7.2	1000	200	SF-32
-	2 1/2	3.06	77.72	.32	8.13	13	5.9	900	180	SF-36
2 1/2	-	3.31	84.08	.50	12.70	13	5.8	500	100	SF-40
-	3	3.59	91.19	.32	8.13	12	5.4	600	120	SF-44
3	-	4.00	101.60	.50	12.70	18	8.2	500	100	SF-48
-	4	4.68	118.87	.34	8.64	14	6.4	400	80	SF-64

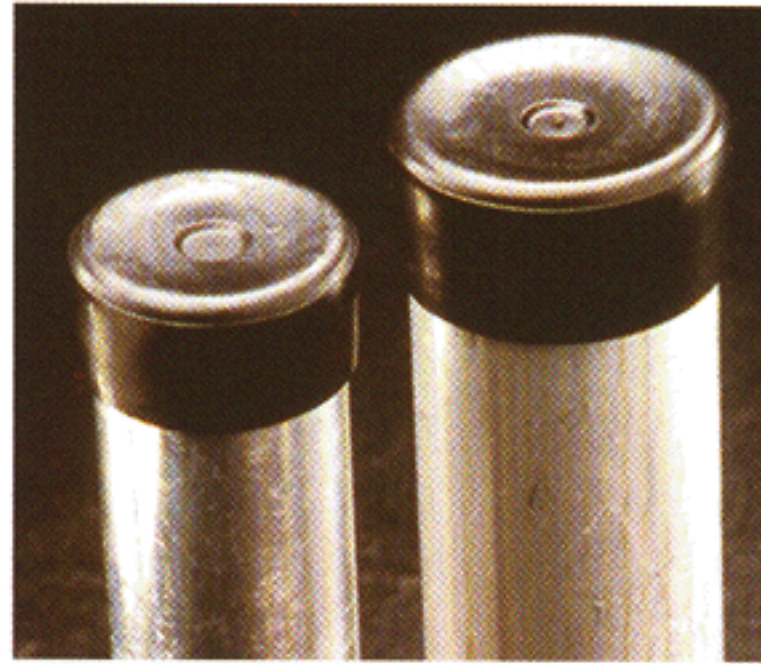


# CAPS non-threaded

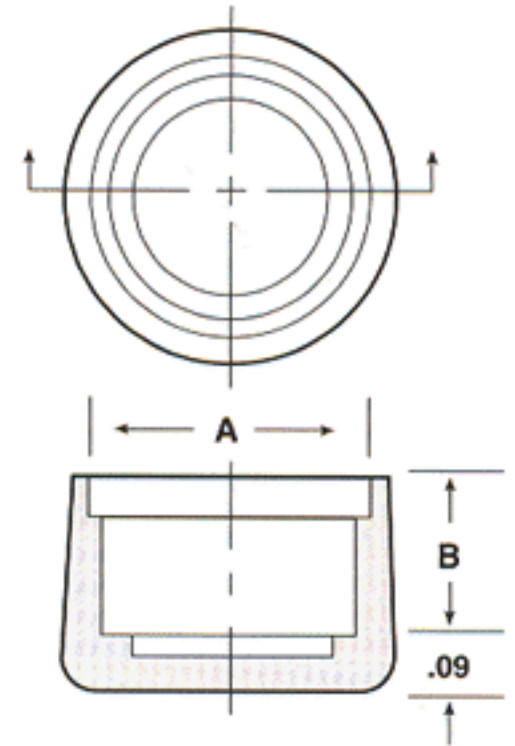
## FCR Series Finishing Caps for Round Tubing



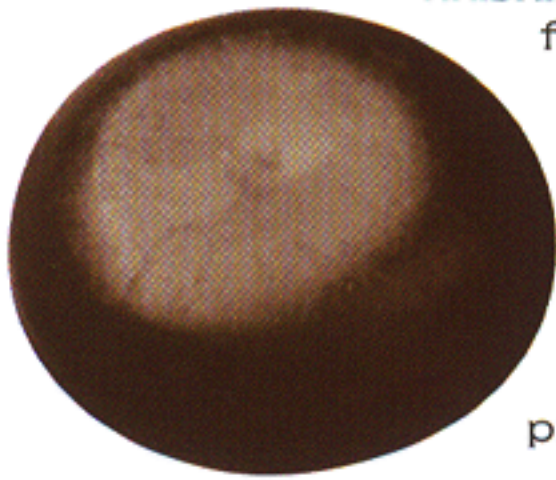
Series FCR Caplugs are used for finishing ends of round tubing on numerous products such as furniture, lawn and garden equipment, tools and appliances. Heavy wall construction makes them ideal also for threaded connections where extra protection is required. Designed for easy installation, they seat with a firm grip that prevents accidental removal.



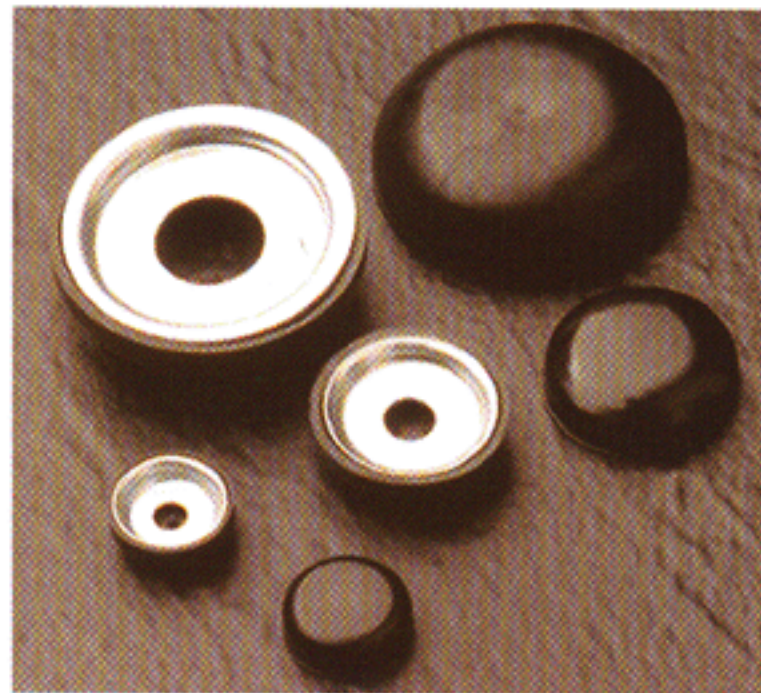
**MATERIAL:** Low Density Polyethylene  
**COLOR\*:** Black



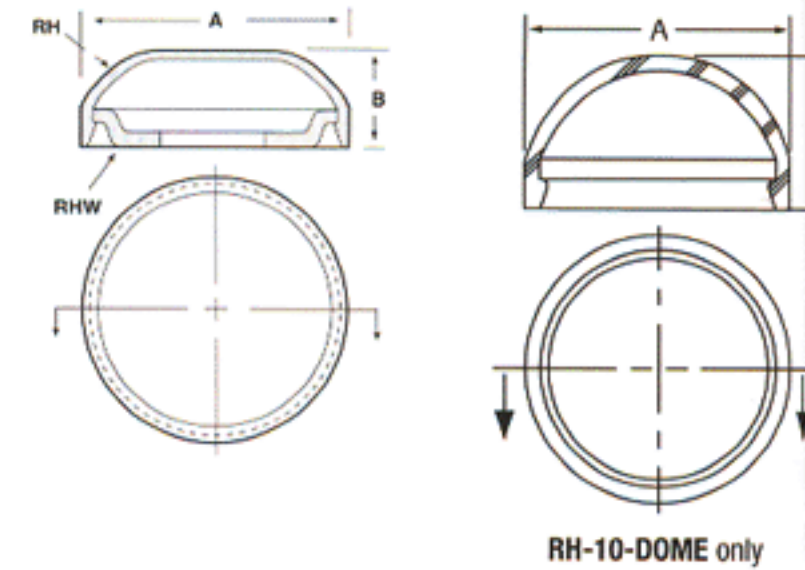
## RH Series Finishing Caps for Raised Head Screws



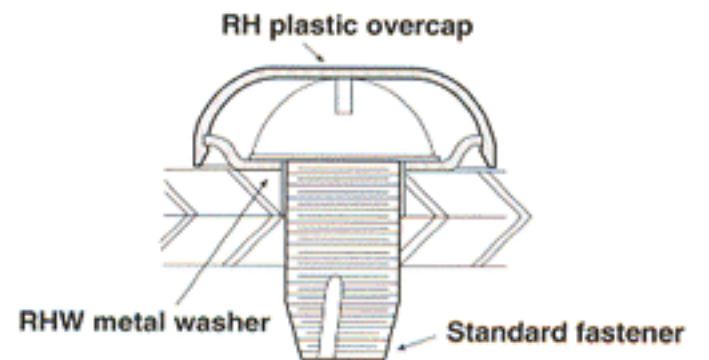
Series RH Caplugs are combination finishing and protective caps for raised head screws. Plastic overcap snaps over a flanged steel washer, replacing conventional washer. Adding attractive finish to protruding screw heads, it also provides dual protection by preventing injury to personnel scraping against steel-sharp fastener edges and by keeping screw head slots free of foreign matter and paint.



**MATERIAL:** Low Density Polyethylene (washer – steel, zinc plate)  
**COLOR:** Black or White (White available in standard carton only.)



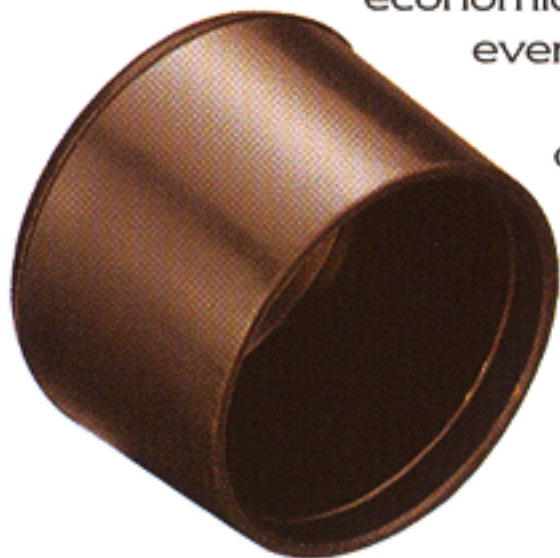
RH-10-DOME only



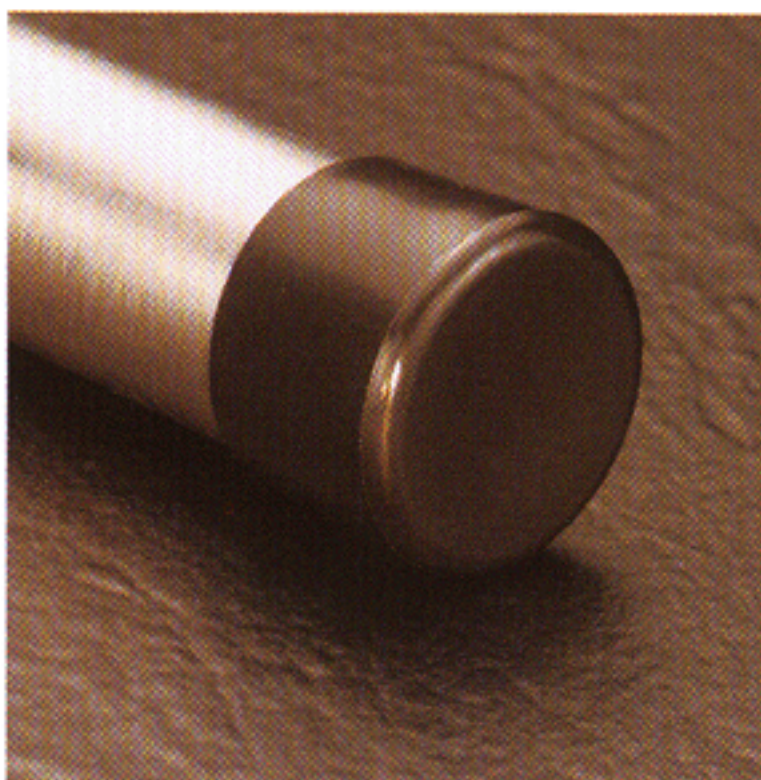
SCREW SIZE	#4	#6	#8	#8	#10	#12	1/4"	5/16"	3/8"	7/16"	1/2"
RH CAP NO.	-06		-10, -10 Dome				-20				
Round	-061	-062	-063	-102	-103	-104	-203	-204	-205	-206	-207
Pan	-061	-062	-063	-102	-103	-104	-203	-204	-205	-	-
Fillister	-061	-062	-	-102	-103	-	-203	-204	-	-	-
Truss	-061	-062	-	-102	-103	-	-203	-204	-205	-	-
Binding	-061	-062	-	-102	-103	-104	-203	-204	-205	-	-
Hex	-061	-062	-063	-102	-103	-104	-105 -203	-204	-205	-206	-207

*NOTE: When ordering, select the RH Cap and the RHW Washer for your size screw. Order as two separate items.*

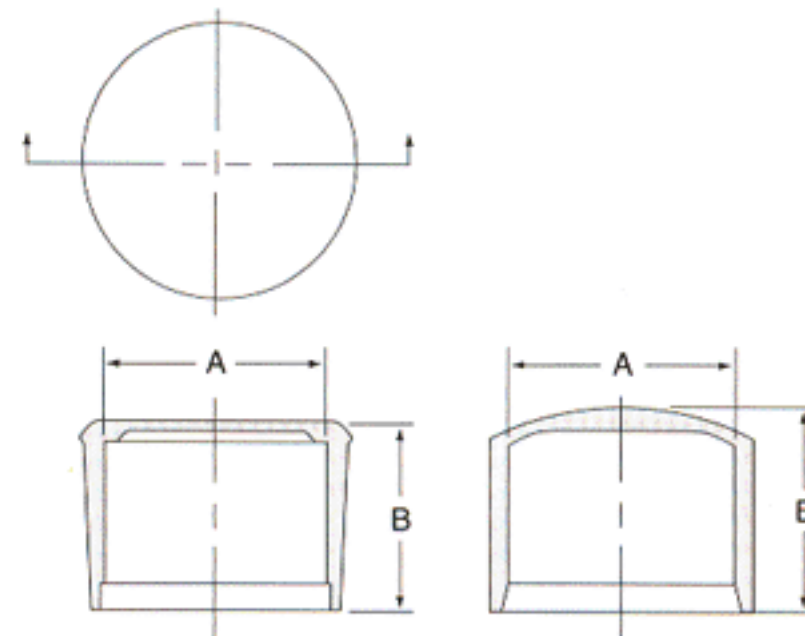
## COF Series Caps for Round Tubing and Rods



Series COF Round Caps make economical, attractive glides for everything from household and patio furniture to office chairs and tables, and from utility carts to exercise equipment. As finishing caps for both rods and tubing, they cover any scratches, burrs or distortions that may result from cutting operations. And they also provide protection against injury from sharp rod and tubing edges.



**MATERIAL:** Low Density Polyethylene  
**COLOR\*:** Black



COF-7/8-DOME only

EXPANDED

NEW SIZES



## FCR Series

Dimensions					Packaging			Caplug No.
					Standard Carton		Mini Pak Quantity	
in	A mm	in	B mm	Shipping Wt.(Approx)		No. of Pieces		
				lbs	kgs			
.75	19.05	.50	12.70	17	7.6	5000	1000	FCR-12
.88	22.35	.50	12.70	11	4.9	2500	500	FCR-14
1.00	25.40	.50	12.70	14	6.3	2500	500	FCR-16
1.13	28.70	.62	15.75	19	8.6	2500	500	FCR-18
1.25	31.75	.62	15.75	20	9.0	2500	500	FCR-20

## RH Series

Dimensions					Packaging			Caplug No.	
Screw Size†	A		B		Standard Carton		Mini Pak Quantity		
	in	mm	in	mm	Shipping Wt.(Approx)				No. of Pieces
					lbs	kgs			
4, 6, 8 <i>are for use with RH-06</i>	.48	12.19	.15	3.81	2	0.9	5000	1000	RH-06
4	-	-	-	-	4	1.8	5000	1000	RHW-061
6	-	-	-	-	4	1.8	5000	1000	RHW-062
8	-	-	-	-	4	1.8	5000	1000	RHW-063
8, 10, 12, 1/4	.71	18.03	.21	5.33	6	2.7	5000	1000	RH-10
8, 10, 12, 1/4 <i>are for use with RH-10 and RH-10 Dome</i>	.71	18.03	.41	10.41	8	3.6	5000	1000	RH-10-Dome
8	-	-	-	-	12	5.4	5000	1000	RHW-102
10	-	-	-	-	11	4.9	5000	1000	RHW-103
12	-	-	-	-	11	4.9	5000	1000	RHW-104
1/4	-	-	-	-	11	4.9	5000	1000	RHW-105
1/4, 5/16, 3/8, 7/16, 1/2 <i>are for use with RH-20</i>	1.19	30.23	.37	9.40	8	3.6	2000	400	RH-20
10	-	-	-	-	14	6.3	2000	400	RHW-202
1/4	-	-	-	-	14	6.3	2000	400	RHW-203
5/16	-	-	-	-	14	6.3	2000	400	RHW-204
3/8	-	-	-	-	14	6.3	2000	400	RHW-205
7/16	-	-	-	-	14	6.3	2000	400	RHW-206
1/2	-	-	-	-	12	5.4	2000	400	RHW-207

† American Standard Slotted Round Head, American Standard Pan Head and American Standard Socket Button Head.

## COF Series

Dimensions					Packaging			Caplug No.
					Standard Carton		Mini Pak Quantity	
in	A mm	in	B mm	Shipping Wt.(Approx)		No. of Pieces		
				lbs	kgs			
0.250	6.35	0.46	12	10	4.7	10000	1000	COF-1/4
0.375	9.53	0.46	12	15	6.9	10000	1000	COF-3/8
0.500	12.70	0.59	15	28	12.9	7000	1000	COF-1/2
0.625	15.88	0.59	15	18	8.2	5000	1000	COF-5/8
0.750	19.05	0.71	18	20	9.2	4000	800	COF-3/4
0.875	22.23	0.71	18	16	7.2	2500	500	COF-7/8
0.875	22.23	0.84	21	15	6.9	2500	500	COF-7/8-Dome
1.000	25.40	0.85	22	14	6.4	1500	300	COF-1
1.125	28.58	0.85	22	13	5.9	1200	300	COF-1-1/8
1.250	31.75	0.98	25	14	6.4	1000	200	COF-1-1/4
1.500	38.10	0.98	25	9	4.0	500	100	COF-1-1/2
1.750	44.45	1.10	28	12	5.3	500	100	COF-1-3/4