



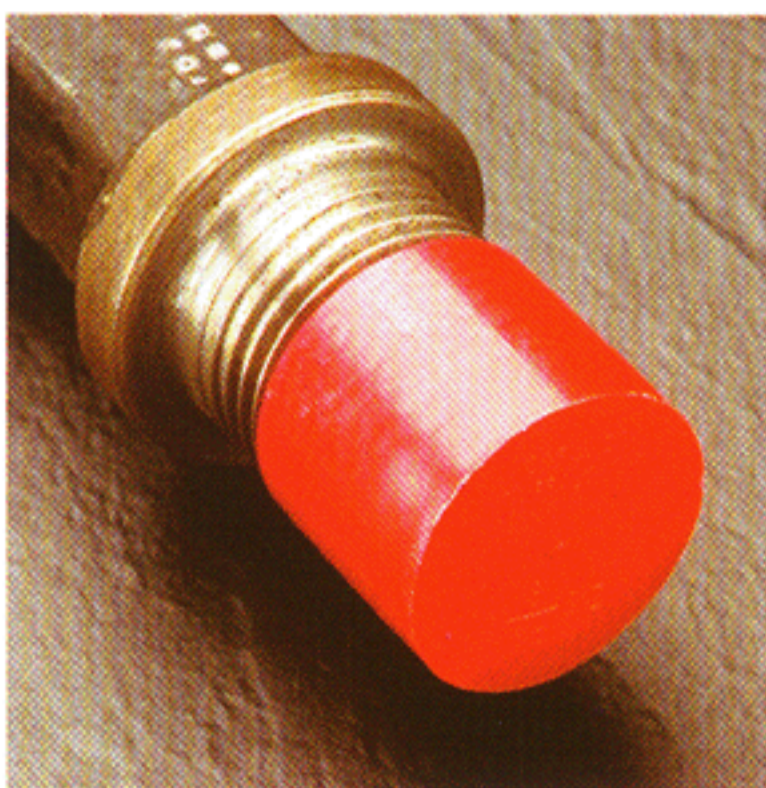
CAPS non-threaded

SC Series Sleeve Caps for Tube Ends

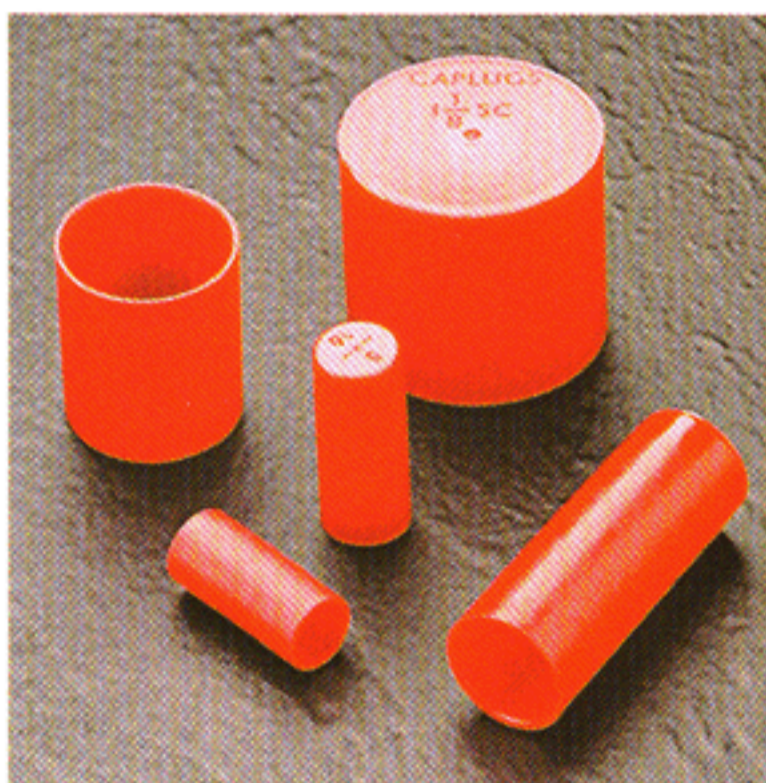
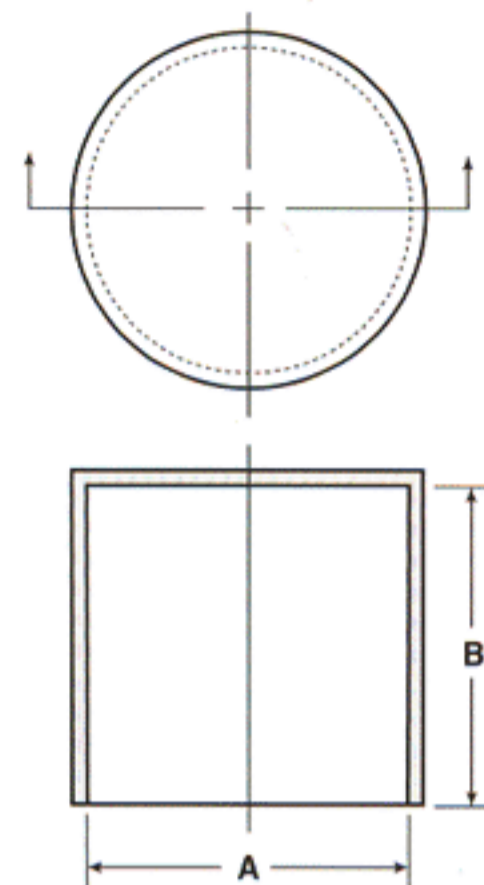
EXPANDED



Series SC Sleeve Caps are designed to fit outside diameters of tubing sizes listed with a snug friction grip. Available in 59 different O.D.s and lengths, the SC Series is ideal for capping and protecting both threaded and non-threaded tubing or rod ends. They also make excellent masks for painting, plating or grit-blasting operations.



MATERIAL: Low Density Polyethylene
COLOR*: Red



non-threaded CAPS



SC Series

MIL-C-5501/9, MIL-C-52078, NAS-844

Dimensions				Packaging			Mini Pak Quantity	Caplug No.
A		B		Standard Carton				
in	mm	in	mm	Shipping Wt. (Approx.)				
				lbs	kgs	No. of Pieces		
.078	1.98	.50	12.70	2	0.9	5000	1000	SC-5/64**
.094	2.38	.59	14.99	2	0.9	5000	1000	SC-3/32
.125	3.18	.59	14.99	3	1.3	5000	1000	SC-1/8
.156	3.97	.56	14.22	3	1.3	5000	1000	SC-5/32
.188	4.76	.35	8.89	3	1.3	5000	1000	SC-3/16-5
.188	4.76	.59	14.99	4	1.8	5000	1000	SC-3/16-10
.188	4.76	1.00	25.40	5	2.2	5000	1000	SC-3/16-16
.219	5.56	.75	19.05	5	2.2	5000	1000	SC-7/32
.250	6.35	.22	5.59	2	0.9	5000	1000	SC-1/4-4
.250	6.35	.44	11.18	3	1.3	5000	1000	SC-1/4-7
.250	6.35	.88	22.35	6	2.7	5000	1000	SC-1/4-14
.250	6.35	1.00	25.40	6	2.7	5000	1000	SC-1/4-16
.281	7.14	.75	19.05	5	2.2	5000	1000	SC-9/32
.313	7.94	.88	22.35	7	3.1	5000	1000	SC-5/16
.375	9.53	.88	22.35	8	3.6	5000	1000	SC-3/8
.438	11.11	.50	12.70	6	2.7	5000	1000	SC-7/16-8
.438	11.11	.88	22.35	10	4.5	5000	1000	SC-7/16-14
.500	12.70	.50	12.70	7	3.1	5000	1000	SC-1/2-8
.500	12.70	.88	22.35	11	4.9	5000	1000	SC-1/2-14
.500	12.70	1.50	38.10	8	3.6	2500	500	SC-1/2-24
.563	14.29	.56	14.22	9	4.0	5000	1000	SC-9/16-9
.563	14.29	.88	22.35	14	6.3	5000	1000	SC-9/16-14
.625	15.88	.88	22.35	14	6.3	5000	1000	SC-5/8
.688	17.46	.88	22.35	15	6.8	5000	1000	SC-11/16
.750	19.05	.88	22.35	17	7.6	5000	1000	SC-3/4
.781	19.84	1.00	25.40	19	8.6	5000	1000	SC-25/32
.813	20.64	.88	22.35	18	8.1	5000	1000	SC-13/16
.875	22.23	.88	22.35	20	9.0	5000	1000	SC-7/8
.938	23.81	1.00	25.40	11	4.9	2500	500	SC-15/16
1.000	25.40	1.00	25.40	15	6.8	2500	500	SC-1
1.063	26.99	1.00	25.40	18	8.1	2500	500	SC-1-1/16
1.125	28.58	1.00	25.40	15	6.8	2500	500	SC-1-1/8
1.188	30.16	1.00	25.40	17	7.6	2500	500	SC-1-3/16
1.250	31.75	1.00	25.40	15	6.8	2000	400	SC-1-1/4
1.313	33.34	1.00	25.40	9	4.0	1000	200	SC-1-5/16
1.375	34.92	1.00	25.40	9	4.0	1000	200	SC-1-3/8
1.500	38.10	1.00	25.40	10	4.5	1000	200	SC-1-1/2
1.625	41.28	1.00	25.40	10	4.5	1000	200	SC-1-5/8
1.750	44.45	1.00	25.40	13	5.8	1000	200	SC-1-3/4
1.875	47.63	1.00	25.40	13	5.8	1000	200	SC-1-7/8
1.906	48.41	1.00	25.40	15	6.8	1000	200	SC-1-29/32
2.000	50.80	.88	22.35	12	5.4	1000	200	SC-2
2.125	53.98	1.00	25.40	8	3.6	500	100	SC-2-1/8
2.250	57.15	.88	22.35	14	6.3	500	100	SC-2-1/4
2.375	60.33	.88	22.35	9	4.0	500	100	SC-2-3/8
2.500	63.50	.88	22.35	11	4.9	500	100	SC-2-1/2
2.563	65.10	1.00	25.40	12	5.4	500	100	SC-2-9/16
2.625	66.68	1.00	25.40	13	5.8	500	100	SC-2-5/8
2.750	69.85	1.00	25.40	13	5.8	500	100	SC-2-3/4
3.000	76.20	1.00	25.40	13	6.3	450	90	SC-3
3.125	79.38	1.38	35.05	9	4.0	250	50	SC-3-1/8
3.313	84.14	1.00	25.40	10	4.5	400	100	SC-3-5/16
3.500	88.90	1.38	35.05	10	4.5	250	50	SC-3-1/2
3.625	92.08	1.38	35.05	11	4.9	250	50	SC-3-5/8
3.750	95.25	1.38	35.05	12	5.4	200	40	SC-3-3/4
4.000	101.60	1.38	35.05	13	5.8	250	50	SC-4
4.125	104.78	1.50	38.10	7	3.1	120	24	SC-4-1/8
5.125	130.18	1.63	41.40	9	4.0	100	20	SC-5-1/8
5.250	133.36	1.80	45.72	12	5.4	50	N/A	SC-5-1/4

E material (Polyolefin Elastomer)