



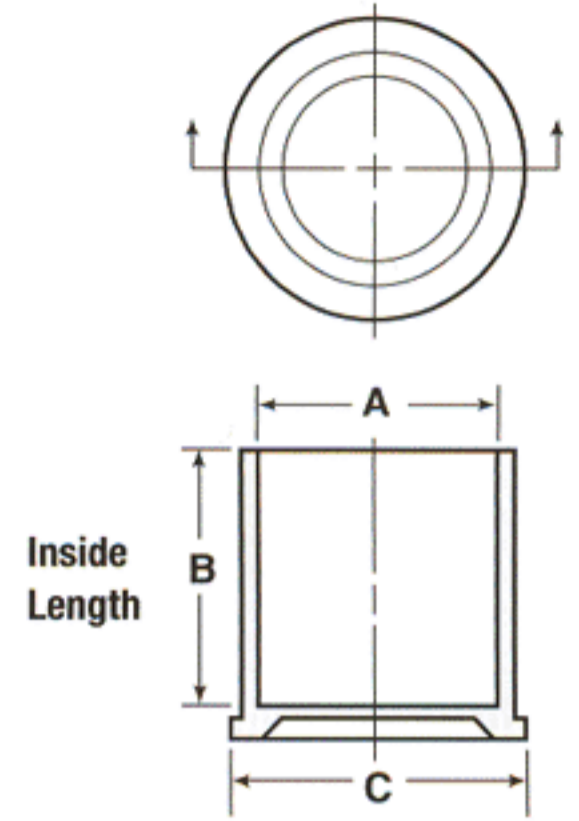
CAPS non-threaded

RC Series Caps for Threaded Connectors

Originated for the automotive and air conditioning industries, Series RC Caps are suitable for a multitude of applications. They can be installed to fit threaded or smooth cylindrical surfaces.

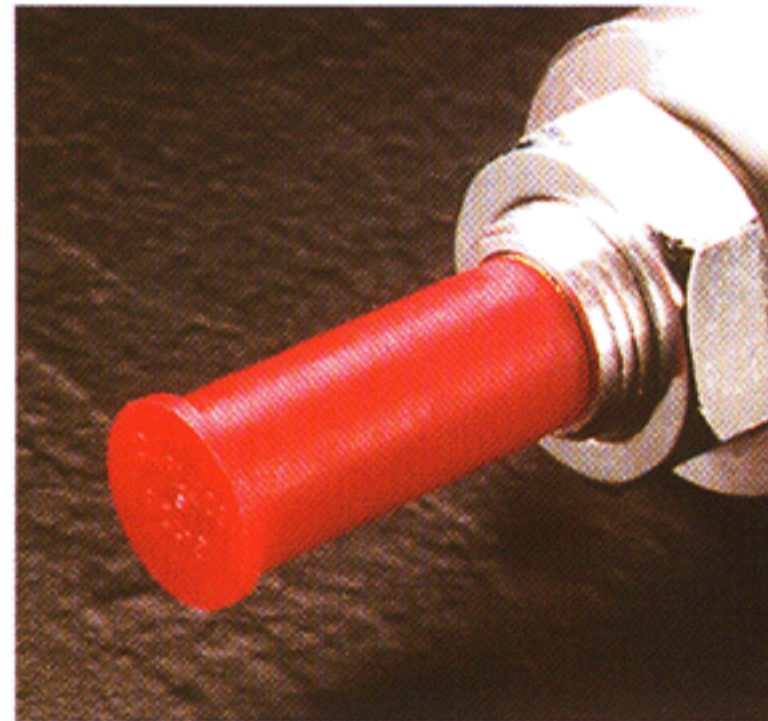
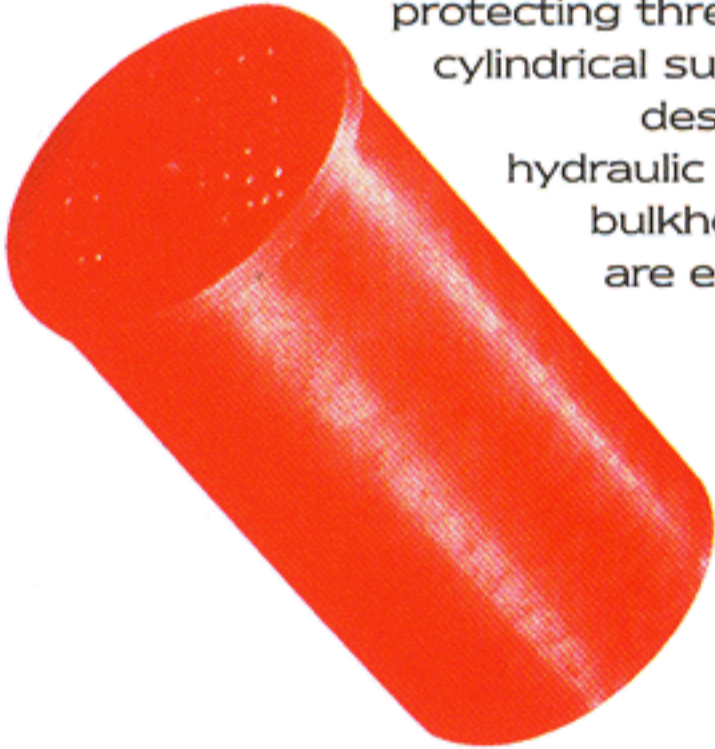


MATERIAL: Low Density Polyethylene
COLOR*: Red

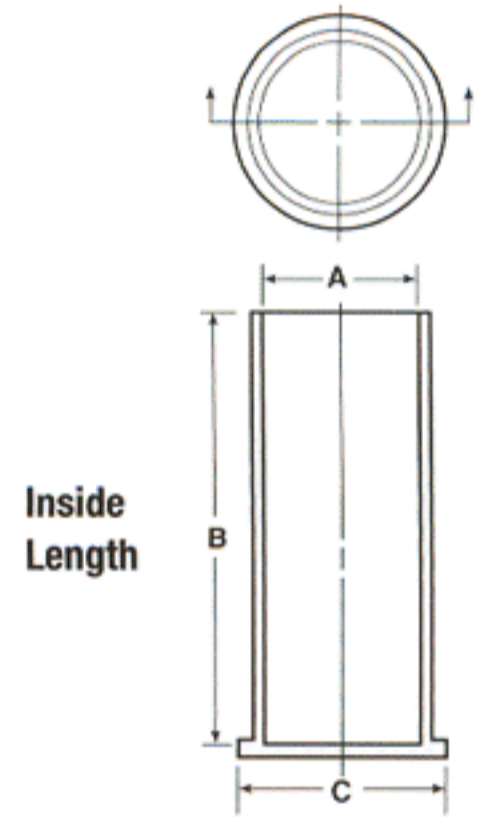


RCL Series Caps for Long Threaded Connectors

Series RCL Caps are ideal for protecting threaded or smooth cylindrical surfaces. Originally designed for use on hydraulic double threaded bulkhead fittings, they are especially suitable where greater longitudinal protection is required.



MATERIAL: Low Density Polyethylene
COLOR*: Red

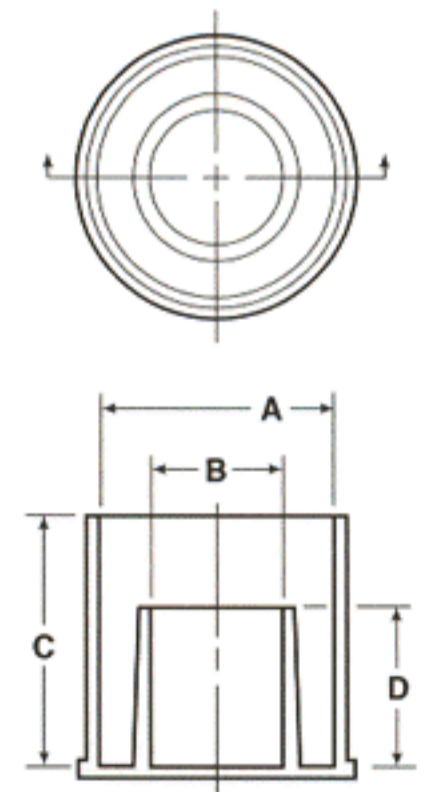


FC Series Caps for Flareless Tube and Nut Assemblies

Featuring a "cap within a cap" design, Series FC closures can be easily applied to flareless hydraulic tube and nut assemblies. As the FC Cap is pushed on the nut, the "outer cap" conforms to the hex shape of the nut while the "inner cap" covers the tube and sleeve inside the nut to hold the assembly firmly in place.



MATERIAL: Low Density Polyethylene
COLOR*: Red



EXPANDED

non-threaded CAPS



RC Series

Dimensions							Packaging				Caplug No.
To Fit Thread Size	A		B		C		Standard Carton		Mini Pak Quantity		
	in	mm	in	mm	in	mm	Shipping Wt. (Approx.)			No. of Pieces	
							lbs	kgs			
3/8	0.37	9.50	0.47	11.94	0.60	15.24	8	3.6	5000	1000	RC-6
7/16	0.42	10.74	0.59	14.99	0.57	14.48	8	3.6	5000	1000	RC-7
1/2	0.50	12.67	0.55	13.97	0.73	18.54	11	5.0	5000	1000	RC-8
9/16	0.56	14.25	0.48	12.19	0.79	20.07	12	5.4	5000	1000	RC-9
5/8	0.61	15.49	0.84	21.34	0.76	19.30	15	6.8	5000	1000	RC-10
11/16	0.67	16.97	0.84	21.34	0.83	21.08	17	7.6	5000	1000	RC-11
11/16	0.67	17.12	0.47	11.94	0.92	23.37	16	7.3	5000	1000	RC-11-7
-	0.68	17.22	0.88	22.35	0.84	21.34	14	6.4	4500	900	RC-11-A
3/4	0.74	18.67	0.88	22.35	0.90	22.86	18	8.1	5000	1000	RC-12
3/4	0.74	18.75	0.65	16.51	0.98	24.13	17	7.7	5000	1000	RC-12-10
13/16	0.81	20.60	0.56	14.22	1.04	26.42	18	8.1	5000	1000	RC-13
7/8	0.86	21.84	0.84	21.34	1.02	25.91	21	9.4	5000	1000	RC-14
7/8	0.86	21.84	0.75	19.05	1.11	28.19	19	8.6	4000	800	RC-14-12
1	1.00	25.35	0.65	16.51	1.23	31.24	15	6.6	3000	600	RC-16
1 1/16	1.05	26.59	0.89	22.61	1.21	30.74	12	5.4	2500	500	RC-17
1 3/16	1.19	30.12	0.77	19.56	1.42	36.07	15	6.8	2000	400	RC-19
1 5/16	1.31	33.30	0.90	22.86	1.54	39.12	11	5.0	1000	200	RC-21
1 7/16	1.44	36.47	0.70	17.78	1.67	42.42	10	4.5	1000	200	RC-23
1 5/8	1.63	41.22	0.95	24.13	1.86	47.24	14	6.4	1000	200	RC-26
1 11/16	1.69	42.82	0.70	17.78	1.92	48.77	12	5.4	1000	200	RC-27
1 7/8	1.88	47.83	1.08	27.43	2.12	53.85	15	6.8	800	160	RC-30
2 1/2	2.51	63.70	1.30	33.02	2.75	69.85	12	5.4	400	80	RC-40
12mm	0.47	11.99	0.47	11.94	0.70	17.78	10	4.5	5000	1000	RC-M12
18mm	0.70	17.75	1.00	25.40	0.93	23.62	15	6.8	3000	600	RC-M18

RCL Series

Dimensions							Packaging				Caplug No.
To Fit Thread Size	A		B		C		Standard Carton		Mini Pak Quantity		
	in	mm	in	mm	in	mm	Shipping Wt. (Approx.)			No. of Pieces	
							lbs	kgs			
5/16	0.308	7.82	1.24	31.50	.46	11.68	10	4.5	5000	1000	RCL-2
3/8	0.370	9.40	1.24	31.50	.52	13.21	12	5.4	5000	1000	RCL-3
7/16	0.429	10.90	1.33	33.78	.58	14.73	14	6.4	5000	1000	RCL-4
1/2	0.490	12.45	1.33	33.78	.64	16.26	16	7.3	5000	1000	RCL-5
9/16	0.552	14.02	1.41	35.82	.70	17.78	19	8.6	5000	1000	RCL-6
3/4	0.739	18.77	1.56	39.63	.88	22.35	15	6.8	2500	500	RCL-8
3/4	0.739	18.77	2.66	67.56	.88	22.35	20	9.1	2000	400	RCL-8L
M-20(.787)	0.791	20.09	1.56	39.63	.91	23.11	19	8.6	2500	500	RCL-9
7/8	0.861	21.87	1.70	43.18	1.01	25.66	20	9.1	2500	500	RCL-10
7/8	0.861	21.87	2.66	67.56	1.01	25.66	17	7.7	1500	300	RCL-10L
.995	0.995	25.27	1.80	45.72	1.15	29.21	14	6.4	1500	300	RCL-11
1 1/16	1.049	26.64	1.89	48.01	1.19	30.23	12	5.4	1000	200	RCL-12
1 1/16	1.049	26.64	3.00	76.20	1.19	30.23	15	6.8	900	180	RCL-12L
1 1/8	1.135	28.83	2.12	53.85	1.25	31.75	19	8.6	1500	300	RCL-14
1 1/8	1.135	28.83	3.11	78.99	1.33	33.78	19	8.6	1000	200	RCL-14-50
1 5/16	1.299	32.99	1.89	48.01	1.44	36.58	13	5.8	1000	200	RCL-16
-	1.459	37.06	2.24	56.90	1.61	40.89	25	11.3	500	100	RCL-18
1 5/8	1.611	40.92	1.92	48.77	1.76	44.71	11	5.0	500	100	RCL-20
1 7/8	1.861	47.27	1.94	49.28	2.01	51.06	13	5.9	500	100	RCL-24

FC Series

Dimensions										Packaging				Caplug No.
To Fit Tube Size	A		B		C		D		Standard Carton		Mini Pak Quantity			
	in	mm	in	mm	in	mm	in	mm	Shipping Wt. (Approx.)			No. of Pieces		
										lbs	kgs			
1/8	.39	9.91	.17	4.32	.58	14.73	.40	10.16	7	3.1	5000	1000	FC-2	
3/16	.46	11.68	.24	6.10	.63	16.00	.41	10.41	8	3.6	5000	1000	FC-3	
1/4	.59	14.99	.30	7.62	.77	19.56	.52	13.21	12	5.4	5000	1000	FC-4	
5/16	.65	16.51	.37	9.40	.81	20.57	.53	13.46	14	6.3	5000	1000	FC-5	
3/8	.72	18.29	.41	10.41	.81	20.57	.54	13.72	19	8.6	5000	1000	FC-6	
1/2	.91	23.11	.57	14.48	.86	21.84	.54	13.72	14	6.3	2500	500	FC-8	
5/8	1.04	26.42	.67	17.02	.99	25.15	.64	16.26	18	8.1	2500	500	FC-10	
3/4	1.30	33.02	.83	21.08	1.00	25.40	.64	16.26	10	4.5	1000	200	FC-12	
1	1.56	39.63	1.07	27.18	1.10	27.94	.63	16.00	13	5.8	1000	200	FC-16	
1 1/4	2.08	52.83	1.32	33.53	1.10	27.94	.62	15.75	20	9.0	1000	200	FC-20	
1 1/2	2.36	59.95	1.56	39.63	1.08	27.43	.62	15.75	12	5.4	500	100	FC-24	
1 3/4	2.76	70.11	1.83	46.48	1.14	28.96	.69	17.53	18	8.1	500	100	FC-28	
2	3.00	76.20	2.06	52.33	1.17	29.72	.63	16.00	11	4.9	250	50	FC-32	