



# CAPS non-threaded

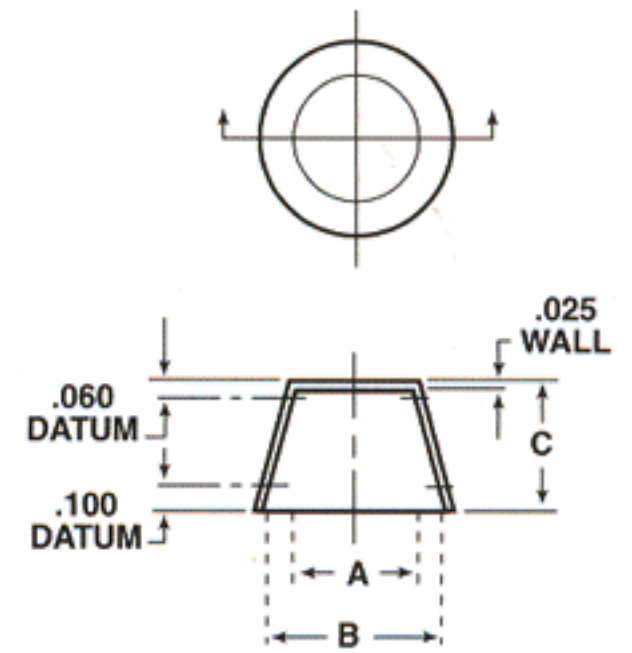
## PTC Series Tapered Paper Caps for Use in Capping



Manufactured from natural paper which is 100% recyclable, Series PTC Paper Caplugs are the answer for applications requiring "environmentally-friendly" components. These closures will withstand temperatures up to 400°F (204°C), making them ideal for high-temperature applications which may degrade typical plastic caps.



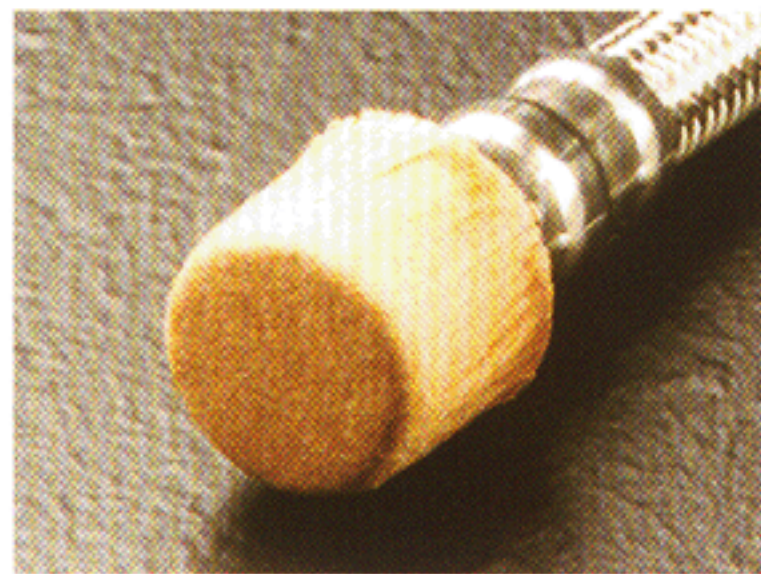
MATERIAL: 90 lb. Paperboard  
COLOR: Natural



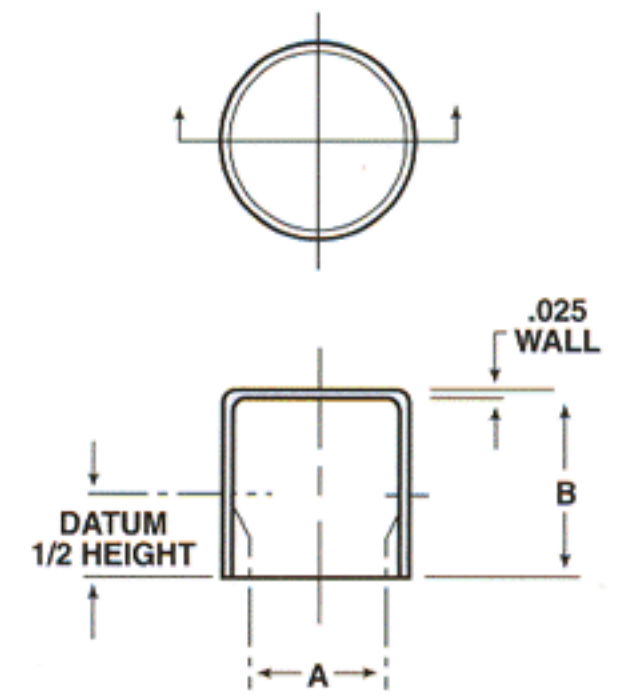
## PSC Series Straight Paper Caps for Use in Capping Flared Tube Fittings



PSC Series Paper Caplugs are manufactured from "environmentally-friendly" natural paper formulated from a blend of 90% virgin pulp and 10% post-consumer recycled paper. They are 100% recyclable. These closures will withstand temperatures up to 400°F (204°C), making them ideal for high-temperature applications which may degrade typical plastic caps.



MATERIAL: 90 lb. Paperboard  
COLOR: Natural



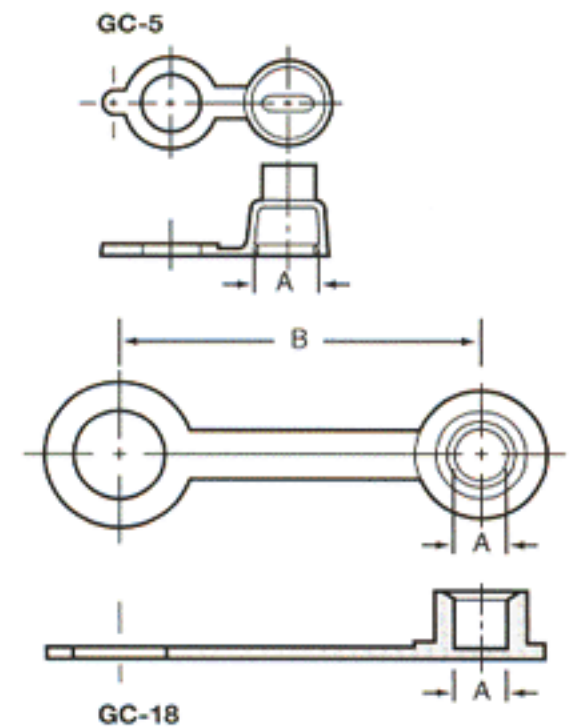
## GC Series Grease Caps



Series GC Grease Caps snap securely over fittings to seal out dirt and moisture. Integral retaining ring keeps cap in place during servicing. Color coding may be used to indicate type and/or frequency of lubrication. Caps also make good masks for spray painting. Available in two styles.



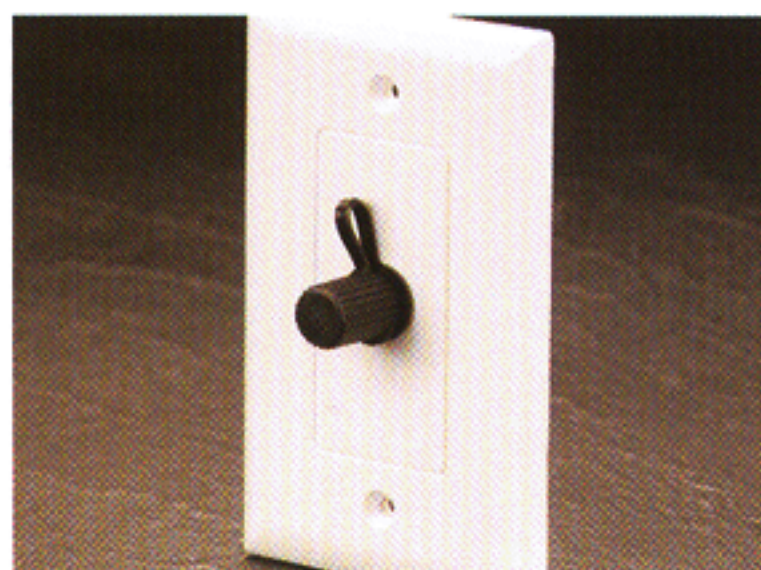
MATERIAL: Low Density Polyethylene  
COLOR\*: Red, Blue, Yellow, Green, Black, White



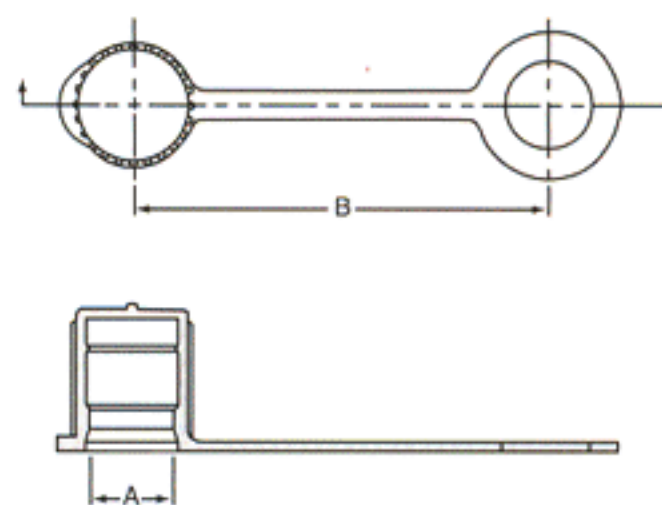
## CBC Series Coaxial Cable Connectors



Series CBC Coaxial Cable Connector Caps are used to protect cable connectors during packaging and shipping. Designed to fit a nominal 3/8" diameter, these tethered caps snap securely to keep out dirt and moisture.



MATERIAL: Low Density Polyethylene  
COLOR\*: Black





## PTC Series

Dimensions							Packaging				Caplug No.
To Fit Thread Size	A		B		C		Standard Carton		Mini Pak Quantity		
	in	mm	in	mm	in	mm	Shipping Wt. (Approx.)				
							lbs	kgs	No. of Pieces		
1/8	.366	9.30	.461	11.71	.43	10.92	15	6.8	25000	1000	PTC-S-26-3
1/4	.470	11.94	.511	12.98	.57	14.48	14	6.4	12000	1000	PTC-S-41-3
3/8	.648	16.46	.650	16.51	.53	13.46	19	8.6	16000	1000	PTC-S-24-3
1/2	.795	20.19	.901	22.89	.79	20.07	18	8.1	7000	1000	PTC-S-27-3
1	1.264	32.11	1.317	33.45	.75	19.05	15	6.8	3300	660	PTC-S-10-3
1 1/16	.938	23.83	1.058	26.87	.92	23.37	13	5.9	4000	800	PTC-S-35-3
1 1/4	1.603	40.72	1.669	42.39	.85	21.59	18	8.1	2700	540	PTC-S-51-3X
1 1/2	1.826	46.38	1.877	47.68	.98	24.89	13	5.9	1800	360	PTC-S-98-3
2	2.306	58.57	2.318	58.88	.83	21.08	14	6.4	1400	280	PTC-S-52-3
2 1/2	2.792	70.92	2.824	71.73	.97	24.64	10	4.5	800	160	PTC-S-67-3X
3	3.299	83.80	3.618	91.90	1.11	28.20	9	4.1	500	100	PTC-S-25-3

↳ Recommended for external threaded fittings.

## PSC Series

Dimensions					Packaging				Caplug No.
To Fit Thread Size	A		B		Standard Carton		Mini Pak Quantity		
	in	mm	in	mm	Shipping Wt. (Approx.)				
					lbs	kgs	No. of Pieces		
1/8	.289	7.34	.48	12.19	12	5.4	22000	1000	PSC-S-11-3
3/16	.360	9.14	.46	11.68	16	7.2	25000	1000	PSC-S-26-3
1/4	.416	10.57	.54	13.72	16	7.2	18000	1000	PSC-S-29-3
5/16	.491	12.47	.58	14.73	15	6.8	12500	1000	PSC-S-41-3
3/8	.598	15.19	.63	16.00	12	5.4	8000	1000	PSC-S-34-3
1/2	.717	18.21	.82	20.83	18	8.1	8500	1000	PSC-S-30-3
5/8	.876	22.25	.88	22.35	17	7.7	5500	1000	PSC-S-47-3
3/4	1.001	25.43	.92	23.37	15	6.8	4000	800	PSC-S-35-3
1	1.262	32.06	1.12	28.45	17	7.7	3400	680	PSC-S-5-3X
1 1/4	1.569	39.85	1.28	32.51	15	6.8	1800	360	PSC-S-64-3
1 1/2	1.852	47.04	1.02	25.91	13	5.9	1800	360	PSC-S-98-3X

## GC Series

Dimensions					Packaging				Caplug No.
To Fit Thread Size	A		B		Standard Carton		Mini Pak Quantity		
	in	mm	in	mm	Shipping Wt. (Approx.)				
					lbs	kgs	No. of Pieces		
.234	.360	5.94	.47	11.94	2	0.9	2500	500	GC-5
.227	.360	5.77	1.52	38.61	3	1.3	2500	500	GC-18

## CBC Series

Dimensions					Packaging				Caplug No.
To Fit Thread Size	A		B		Standard Carton		Mini Pak Quantity		
	in	mm	in	mm	Shipping Wt. (Approx.)				
					lbs	kgs	No. of Pieces		
3/8	.360	9.14	1.75	44.45	10	4.5	5000	1000	CBC-6