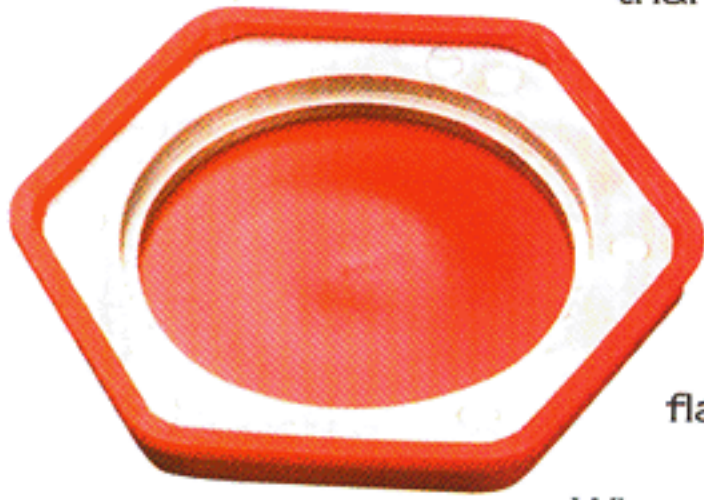


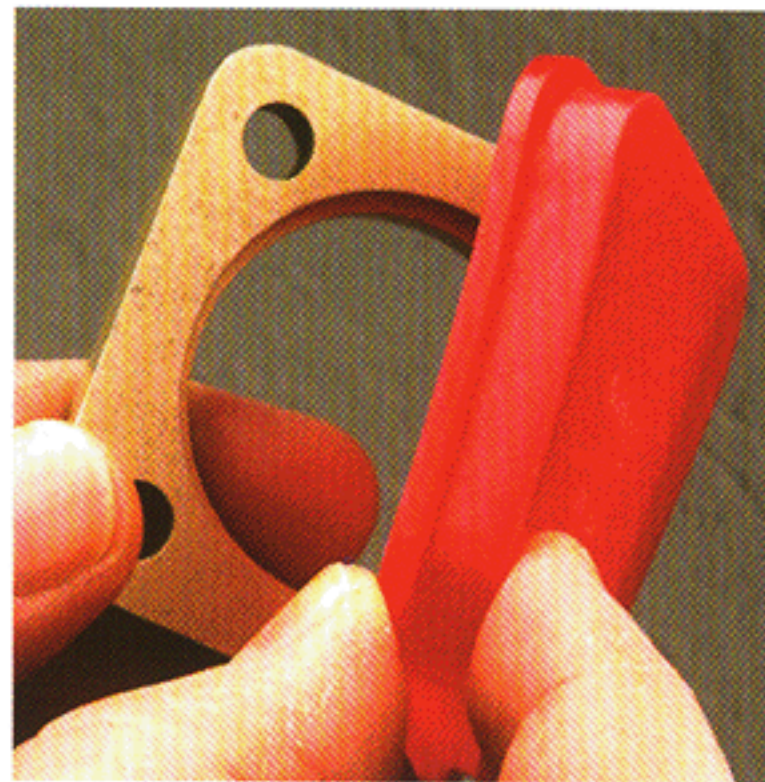


CAPS non-threaded

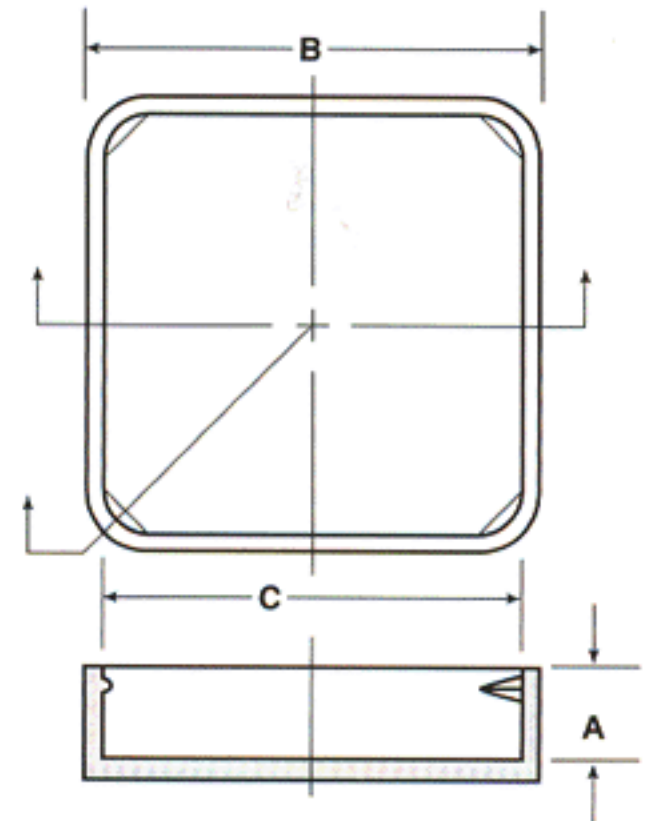
FF Series Caps for Flanged and Flange-Mounted Fittings



Available in square, hexagonal, and triangular shapes, Series FF can be used with a variety of flanged and flange-mounted fittings. They effectively seal dirt out of the fitting and protect the flange surface against nicks and scratches. When fittings are provided with slip-on flanges, Series FF Caps keep the assemblies intact during handling and shipping.



MATERIAL: Low Density Polyethylene
COLOR*: Red



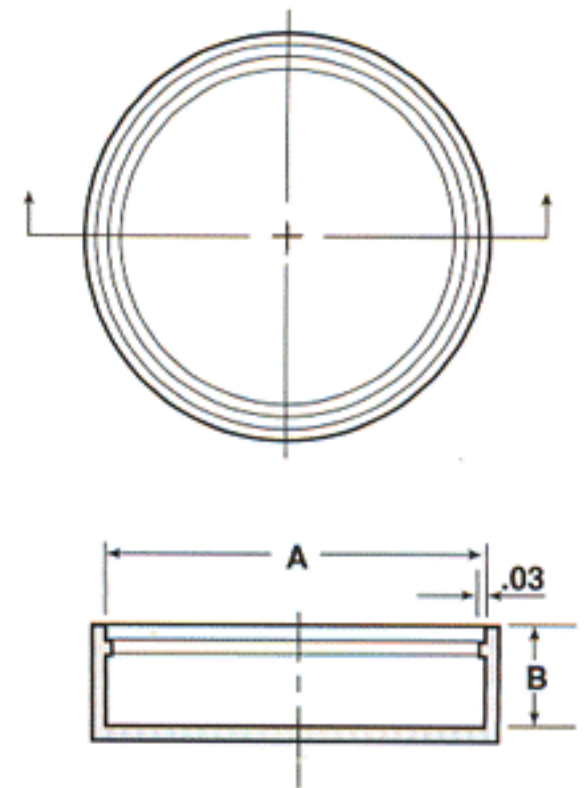
HSF Series Caps for High Pressure Split-Flange Connections



Series HSF Caps are designed to protect high pressure split-flange hydraulic connections. These caps push on easily and fit securely with an internal bead providing a positive locking grip.



MATERIAL: Low Density Polyethylene
COLOR*: Natural



SF Series Caps for Split-Flange Connections

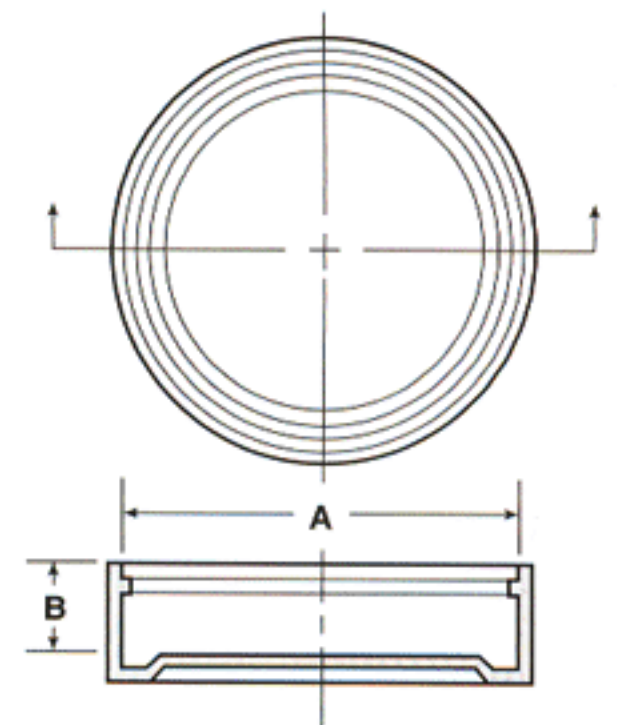
EXPANDED



Series SF Caps and Covers are designed to protect four-bolt split-flange connections. Series SF Caps push on easily and fit securely with an internal bead providing a positive locking grip. Because the SF Cap is made of natural, translucent polyethylene, the O-ring remains visible even after the closure is applied.



MATERIAL: Low Density Polyethylene
COLOR*: Natural





FF Series

Dimensions								Packaging				Caplug No.
Shape	To Fit Nominal Flange Size	A		B		C		Standard Carton		Mini Pak Quantity		
		in	mm	in	mm	in	mm	Shipping Wt. (Approx.) lbs	kgs		No. of Pieces	
Square	AN-756-12	.37	9.39	1.68	42.67	1.62	41.14	8	3.6	1000	200	FF-26
Square	AN-756-16	.36	9.14	1.84	46.73	1.78	45.21	9	4.0	1000	200	FF-28
Square	-	.34	8.63	2.11	53.59	2.05	52.07	12	5.4	1000	200	FF-32
Square	AN-756-20	.37	9.39	2.28	57.91	2.22	56.38	7	3.1	500	100	FF-35
Square	AN-756-24	.41	10.41	2.49	63.24	2.40	60.96	8	3.6	500	100	FF-38
Square	MS-9244-32	.44	11.17	2.65	67.31	2.59	65.78	8	3.6	500	100	FF-41
Square	AN-756-32	.42	10.66	3.09	78.48	3.03	76.96	11	4.9	500	100	FF-48
Triangle	MS-9233-24	.44	11.17	-	-	-	-	7	3.1	500	100	FF-39
Hex	AN-756-40	.43	10.92	-	-	-	-	12	5.4	250	50	FF-64
Hex	AN-756-48	.43	10.92	-	-	-	-	14	6.3	250	50	FF-72

HSF Series

Dimensions						Packaging				Caplug No.
To Fit Nominal Flange Size	A		B		Shipping Wt. (Approx)		No. of Pieces	Mini Pak Quantity		
	in	mm	in	mm	lbs	kgs				
1/2	1.28	32.5	.51	13.0	11	4.9	3000	600	HSF-8	
3/4	1.66	42.2	.55	14.0	14	6.3	2000	400	HSF-12	
1	1.90	48.3	.58	14.7	9	4.0	1000	200	HSF-16	
1 1/4	2.16	54.9	.61	15.5	11	4.9	1000	200	HSF-20	
1 1/2	2.53	64.3	.70	19.6	12	5.4	800	160	HSF-24	
2	3.16	80.3	.70	19.6	10	4.5	500	100	HSF-32	

SF Series

Dimensions						Packaging				Caplug No.
To Fit Nominal Flange Size	To Fit Ferrule Size	A		B		Shipping Wt. (Approx)		No. of Pieces	Mini Pak Quantity	
		in	mm	in	mm	lbs	kgs			
-	1/2, 3/4	1.02	25.91	.34	8.64	14	6.4	5000	1000	SF-7
1/2	-	1.19	30.23	.39	9.91	11	4.9	2500	500	SF-8
5/8	-	1.35	34.29	.39	9.91	14	6.3	2500	500	SF-10
3/4	-	1.50	38.10	.39	9.91	15	6.8	2500	500	SF-12
1	-	1.75	44.45	.44	11.18	19	8.6	2500	500	SF-16
1 1/4	-	2.00	50.80	.44	11.18	10	4.5	1000	200	SF-20
1 1/2	-	2.38	60.45	.44	11.18	13	5.8	1000	200	SF-24
-	2	2.53	64.26	.32	8.13	11	5.0	1000	200	SF-28
2	-	2.81	71.38	.50	12.70	16	7.2	1000	200	SF-32
-	2 1/2	3.06	77.72	.32	8.13	13	5.9	900	180	SF-36
2 1/2	-	3.31	84.08	.50	12.70	13	5.8	500	100	SF-40
-	3	3.59	91.19	.32	8.13	12	5.4	600	120	SF-44
3	-	4.00	101.60	.50	12.70	18	8.2	500	100	SF-48
-	4	4.68	118.87	.34	8.64	14	6.4	400	80	SF-64