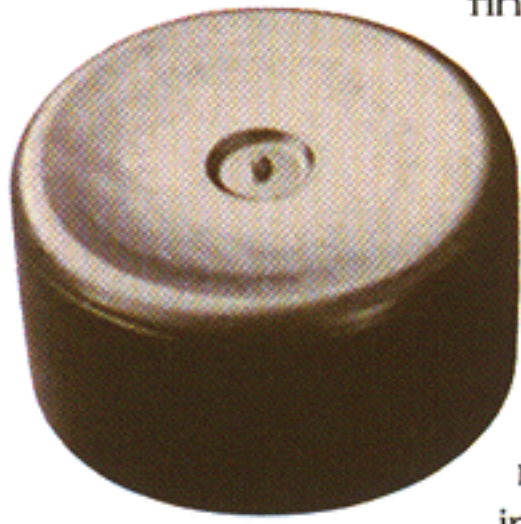


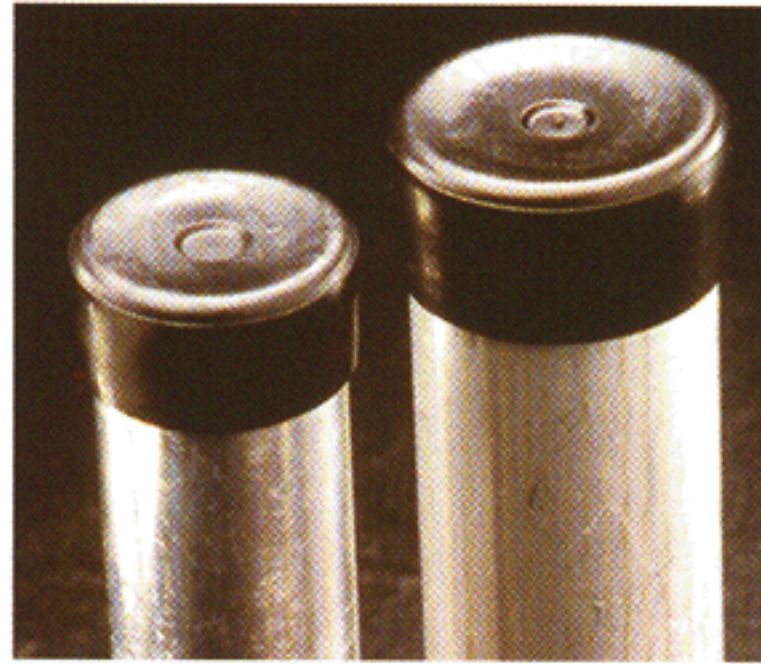


CAPS non-threaded

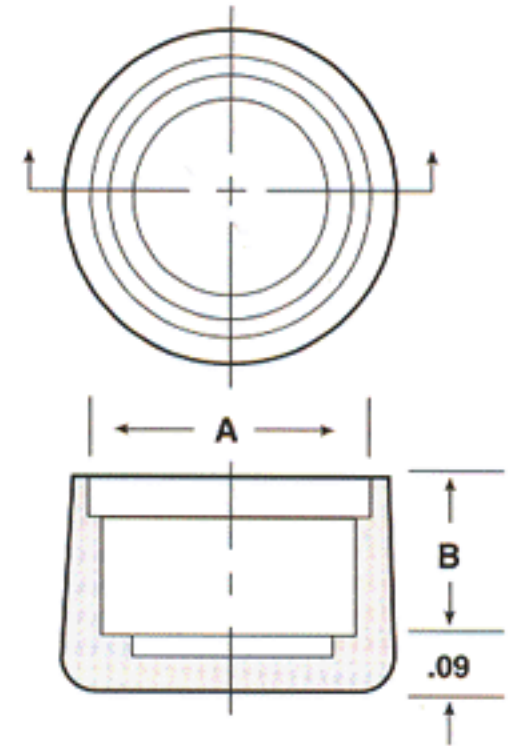
FCR Series Finishing Caps for Round Tubing



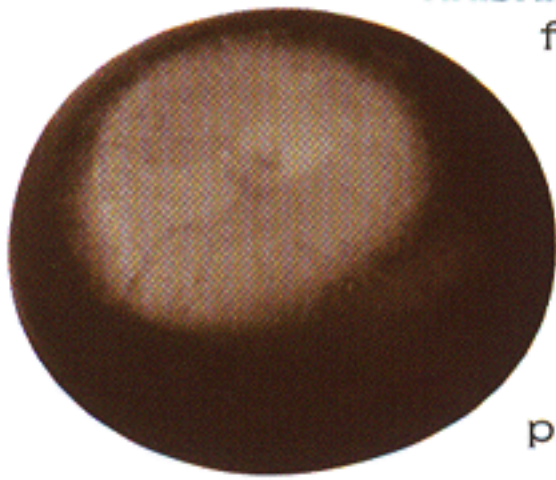
Series FCR Caplugs are used for finishing ends of round tubing on numerous products such as furniture, lawn and garden equipment, tools and appliances. Heavy wall construction makes them ideal also for threaded connections where extra protection is required. Designed for easy installation, they seat with a firm grip that prevents accidental removal.



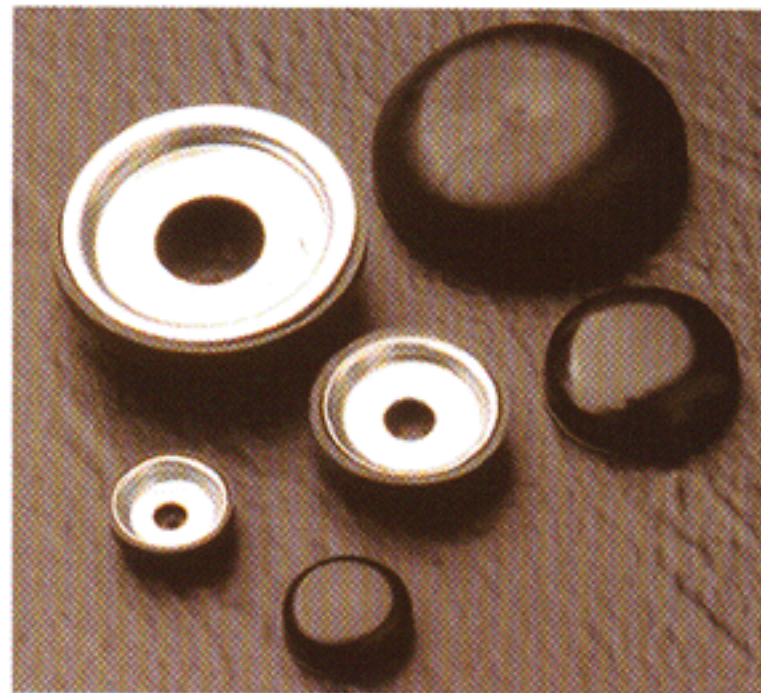
MATERIAL: Low Density Polyethylene
COLOR*: Black



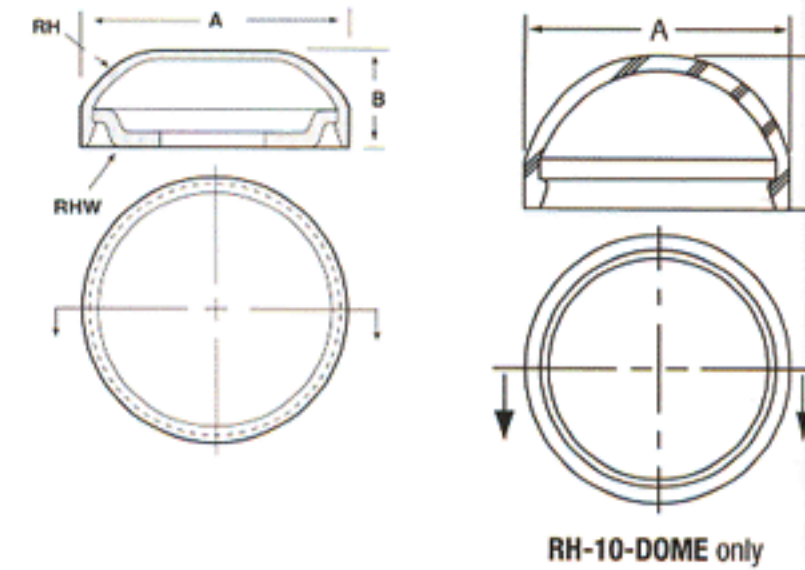
RH Series Finishing Caps for Raised Head Screws



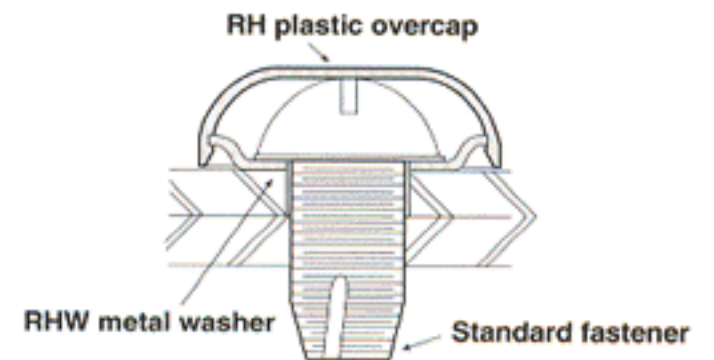
Series RH Caplugs are combination finishing and protective caps for raised head screws. Plastic overcap snaps over a flanged steel washer, replacing conventional washer. Adding attractive finish to protruding screw heads, it also provides dual protection by preventing injury to personnel scraping against steel-sharp fastener edges and by keeping screw head slots free of foreign matter and paint.



MATERIAL: Low Density Polyethylene (washer – steel, zinc plate)
COLOR: Black or White (White available in standard carton only.)



RH-10-DOME only



SCREW SIZE	#4	#6	#8	#8	#10	#12	1/4"	5/16"	3/8"	7/16"	1/2"
RH CAP NO.	-06		-10, -10 Dome				-20				
Round	-061	-062	-063	-102	-103	-104	-203	-204	-205	-206	-207
Pan	-061	-062	-063	-102	-103	-104	-203	-204	-205	-	-
Fillister	-061	-062	-	-102	-103	-	-203	-204	-	-	-
Truss	-061	-062	-	-102	-103	-	-203	-204	-205	-	-
Binding	-061	-062	-	-102	-103	-104	-203	-204	-205	-	-
Hex	-061	-062	-063	-102	-103	-104	-105 -203	-204	-205	-206	-207

NOTE: When ordering, select the RH Cap and the RHW Washer for your size screw. Order as two separate items.

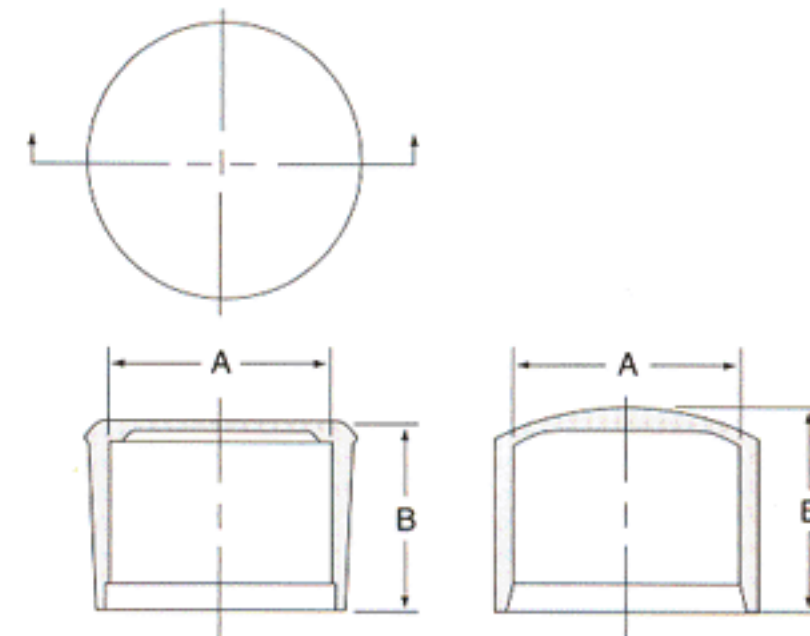
COF Series Caps for Round Tubing and Rods



Series COF Round Caps make economical, attractive glides for everything from household and patio furniture to office chairs and tables, and from utility carts to exercise equipment. As finishing caps for both rods and tubing, they cover any scratches, burrs or distortions that may result from cutting operations. And they also provide protection against injury from sharp rod and tubing edges.



MATERIAL: Low Density Polyethylene
COLOR*: Black



COF-7/8-DOME only

EXPANDED

NEW SIZES



FCR Series

Dimensions					Packaging			Caplug No.
					Standard Carton		Mini Pak Quantity	
in	A mm	in	B mm	Shipping Wt.(Approx)		No. of Pieces		
				lbs	kgs			
.75	19.05	.50	12.70	17	7.6	5000	1000	FCR-12
.88	22.35	.50	12.70	11	4.9	2500	500	FCR-14
1.00	25.40	.50	12.70	14	6.3	2500	500	FCR-16
1.13	28.70	.62	15.75	19	8.6	2500	500	FCR-18
1.25	31.75	.62	15.75	20	9.0	2500	500	FCR-20

RH Series

Dimensions					Packaging			Caplug No.	
Screw Size†	A		B		Standard Carton		Mini Pak Quantity		
	in	mm	in	mm	Shipping Wt.(Approx)				No. of Pieces
					lbs	kgs			
4, 6, 8 <small>are for use with RH-06</small>	.48	12.19	.15	3.81	2	0.9	5000	1000	RH-06
4	-	-	-	-	4	1.8	5000	1000	RHW-061
6	-	-	-	-	4	1.8	5000	1000	RHW-062
8	-	-	-	-	4	1.8	5000	1000	RHW-063
8, 10, 12, 1/4	.71	18.03	.21	5.33	6	2.7	5000	1000	RH-10
8, 10, 12, 1/4 <small>are for use with RH-10 and RH-10 Dome</small>	.71	18.03	.41	10.41	8	3.6	5000	1000	RH-10-Dome
8	-	-	-	-	12	5.4	5000	1000	RHW-102
10	-	-	-	-	11	4.9	5000	1000	RHW-103
12	-	-	-	-	11	4.9	5000	1000	RHW-104
1/4	-	-	-	-	11	4.9	5000	1000	RHW-105
1/4, 5/16, 3/8, 7/16, 1/2 <small>are for use with RH-20</small>	1.19	30.23	.37	9.40	8	3.6	2000	400	RH-20
10	-	-	-	-	14	6.3	2000	400	RHW-202
1/4	-	-	-	-	14	6.3	2000	400	RHW-203
5/16	-	-	-	-	14	6.3	2000	400	RHW-204
3/8	-	-	-	-	14	6.3	2000	400	RHW-205
7/16	-	-	-	-	14	6.3	2000	400	RHW-206
1/2	-	-	-	-	12	5.4	2000	400	RHW-207

† American Standard Slotted Round Head, American Standard Pan Head and American Standard Socket Button Head.

COF Series

Dimensions					Packaging			Caplug No.
					Standard Carton		Mini Pak Quantity	
in	A mm	in	B mm	Shipping Wt.(Approx)		No. of Pieces		
				lbs	kgs			
0.250	6.35	0.46	12	10	4.7	10000	1000	COF-1/4
0.375	9.53	0.46	12	15	6.9	10000	1000	COF-3/8
0.500	12.70	0.59	15	28	12.9	7000	1000	COF-1/2
0.625	15.88	0.59	15	18	8.2	5000	1000	COF-5/8
0.750	19.05	0.71	18	20	9.2	4000	800	COF-3/4
0.875	22.23	0.71	18	16	7.2	2500	500	COF-7/8
0.875	22.23	0.84	21	15	6.9	2500	500	COF-7/8-Dome
1.000	25.40	0.85	22	14	6.4	1500	300	COF-1
1.125	28.58	0.85	22	13	5.9	1200	300	COF-1-1/8
1.250	31.75	0.98	25	14	6.4	1000	200	COF-1-1/4
1.500	38.10	0.98	25	9	4.0	500	100	COF-1-1/2
1.750	44.45	1.10	28	12	5.3	500	100	COF-1-3/4