



# CAPS Polaris Vinyl

## VRR Series Vinyl Rectangular Caps & Grips (round end)

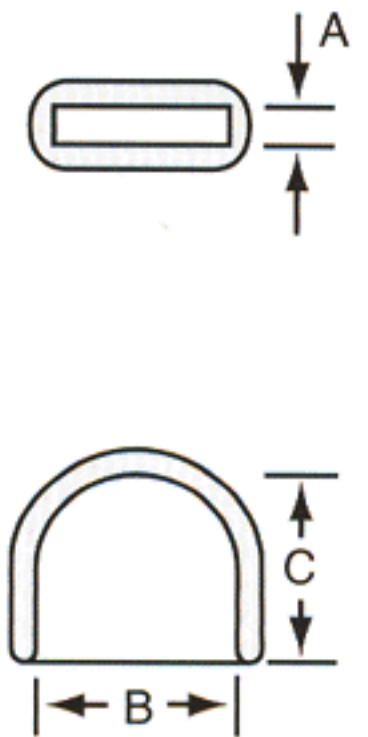
EXPANDED



Designed to fit most rectangular tubes and bars, Series VRR Vinyl Rectangular Caps and Grips feature a flat, rounded end. These caps have many applications, including handle grips, paint shields, end caps and ESD covers. They slip on quickly and easily, and maintain a snug fit. Printing is available for Series VRR, which comes in 9 standard colors.



**MATERIAL:** Vinyl  
**COLORS\*:** White, Black, Brown, Orange, Red, Green, Grey, Blue, Yellow – Call factory for colors in stock  
**AVAILABILITY:** Consult Factory



**Note:**

- VRR-062x312 through VRR-062x1250 have various maximum lengths of up to 4".
- VRR-080x875 through VRR-500x1000 have various maximum lengths of up to 8". Call factory for details.

New sizes are always being added. Consult factory for all current sizes.

## VOR Series Vinyl O-Rings

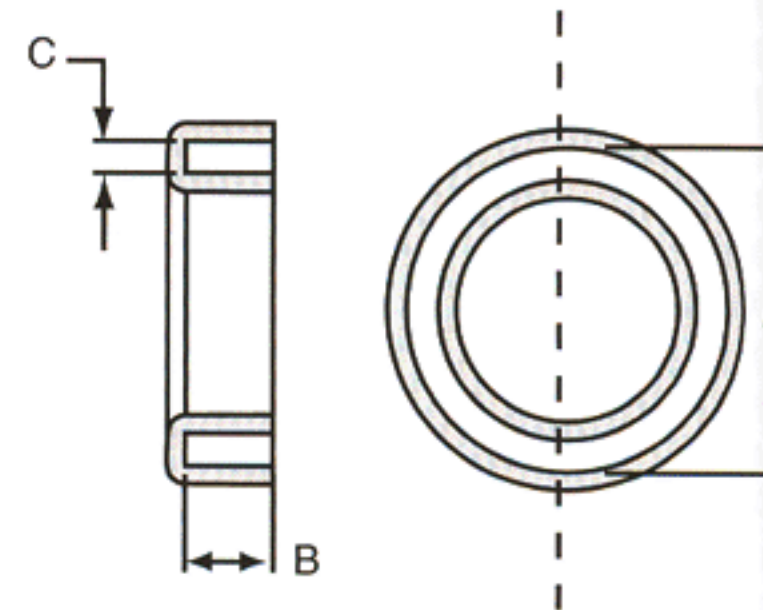
NEW



Series VOR Vinyl O-rings are designed to protect tube ends. Typically used in the automotive, scuba equipment and painting industries, these O-rings provide maximum protection against sharp edges. Available in several common sizes, Series VOR slip on easily and maintain a snug fit.



**MATERIAL:** Vinyl  
**COLORS\*:** White, Black, Brown, Orange, Red, Green, Grey, Blue, Yellow – Call factory for colors in stock  
**AVAILABILITY:** Consult Factory





## VRR Series

Dimensions						Packaging				Caplug No.
A		B		C		Standard Carton		Mini Pak Quantity		
in	mm	in	mm	in	mm	Shipping Wt. (Approx.)			No. of Pieces	
						lbs	kgs			
0.062	1.57	0.312	7.92	1.000	25.4	11	5.0	5000	1000	VRR-062x312-16
0.062	1.57	0.375	9.52	1.000	25.4	12	5.4	5000	1000	VRR-062x375-16
0.062	1.57	0.437	11.09	1.000	25.4	14	6.4	5000	1000	VRR-062x437-16
0.062	1.57	0.468	11.88	1.000	25.4	16	7.3	5000	1000	VRR-062x468-16
0.062	1.57	0.625	15.87	1.000	25.4	16	7.3	4000	800	VRR-062x625-16
0.062	1.57	0.750	19.05	1.000	25.4	16	7.3	3000	600	VRR-062x750-16
0.062	1.57	0.875	22.22	1.000	25.4	16	7.3	2500	500	VRR-062x875-16
0.062	1.57	1.188	30.17	1.000	25.4	14	6.4	1500	300	VRR-062x1188-16
0.062	1.57	1.250	31.75	1.000	25.4	14	6.4	1500	300	VRR-062x1250-16
0.080	2.03	0.875	22.22	1.000	25.4	13	5.9	2000	400	VRR-080x875-16
0.090	2.29	0.875	22.22	1.000	25.4	15	6.8	2000	400	VRR-090x875-16
0.125	3.17	0.375	9.52	1.000	25.4	16	7.3	5000	1000	VRR-125x375-16
0.125	3.17	0.437	11.09	1.000	25.4	14	6.4	4000	800	VRR-125x437-16
0.125	3.17	0.500	12.70	1.000	25.4	15	6.8	4000	800	VRR-125x500-16
0.125	3.17	0.625	15.87	1.000	25.4	15	6.8	3000	600	VRR-125x625-16
0.125	3.17	0.750	19.05	1.000	25.4	13	5.9	2000	400	VRR-125x750-16
0.125	3.17	0.875	22.22	1.000	25.4	14	6.4	2000	400	VRR-125x875-16
0.125	3.17	1.000	25.40	1.000	25.4	16	7.3	2000	400	VRR-125x1000-16
0.125	3.17	1.250	31.75	1.000	25.4	16	7.3	1500	300	VRR-125x1250-16
0.125	3.17	2.250	57.15	1.000	25.4	15	6.8	900	180	VRR-125x2250-16
0.160	4.06	1.250	31.75	1.000	25.4	16	7.3	1500	300	VRR-160x1250-16
0.187	4.74	0.375	9.52	1.000	25.4	15	6.8	4000	800	VRR-187x375-16
0.187	4.74	0.500	12.70	1.000	25.4	13	5.9	3000	600	VRR-187x500-16
0.187	4.74	1.000	25.40	1.000	25.4	13	5.9	1500	300	VRR-187x1000-16
0.187	4.74	1.500	38.10	1.000	25.4	13	5.9	1000	200	VRR-187x1500-16
0.250	6.35	0.375	9.52	1.000	25.4	16	7.3	4000	800	VRR-250x375-16
0.250	6.35	0.500	12.70	1.000	25.4	15	6.8	3000	600	VRR-250x500-16
0.250	6.35	0.625	15.87	1.000	25.4	18	8.2	2500	500	VRR-250x625-16
0.250	6.35	0.750	19.12	1.000	25.4	19	8.6	2000	400	VRR-250x750-16
0.250	6.35	1.000	25.40	1.000	25.4	15	6.8	1500	300	VRR-250x1000-16
0.250	6.35	1.250	31.75	1.000	25.4	12	5.4	1000	200	VRR-250x1250-16
0.312	7.92	0.625	15.87	1.000	25.4	14	6.4	2000	400	VRR-312x625-16
0.312	7.92	1.781	45.23	1.000	25.4	16	7.3	1000	200	VRR-312x1781-16
0.375	9.52	0.500	12.70	1.000	25.4	16	7.3	2500	500	VRR-375x500-16
0.375	9.52	0.875	22.22	1.000	25.4	15	6.8	1500	300	VRR-375x875-16
0.500	12.70	1.000	25.40	1.000	25.4	12	5.4	1000	200	VRR-500x1000-16

Lengths (C Dimension) are available in 1/16" (1.6mm) increments. Length tolerance is ±1/16" (1.6mm).

## VOR Series

Dimensions						Packaging				Caplug No.
A		B		C		Standard Carton		Mini Pak Quantity		
in	mm	in	mm	in	mm	Shipping Wt. (Approx.)			No. of Pieces	
						lbs	kgs			
1.000	25.40	0.350	8.89	0.125	3.18	40	18.1	5000	1000	VOR-1000
1.250	31.75	0.350	8.89	0.125	3.18	31	14.1	3000	600	VOR-1250
1.500	38.10	0.350	8.89	0.125	3.18	33	15.0	2500	500	VOR-1500
1.750	44.45	0.350	8.89	0.065	1.65	31	14.1	2000	400	VOR-1750
2.000	50.80	0.400	10.16	0.080	2.03	27	12.2	1500	300	VOR-2000
2.250	57.15	0.350	8.89	0.125	3.18	26	11.8	1250	250	VOR-2250