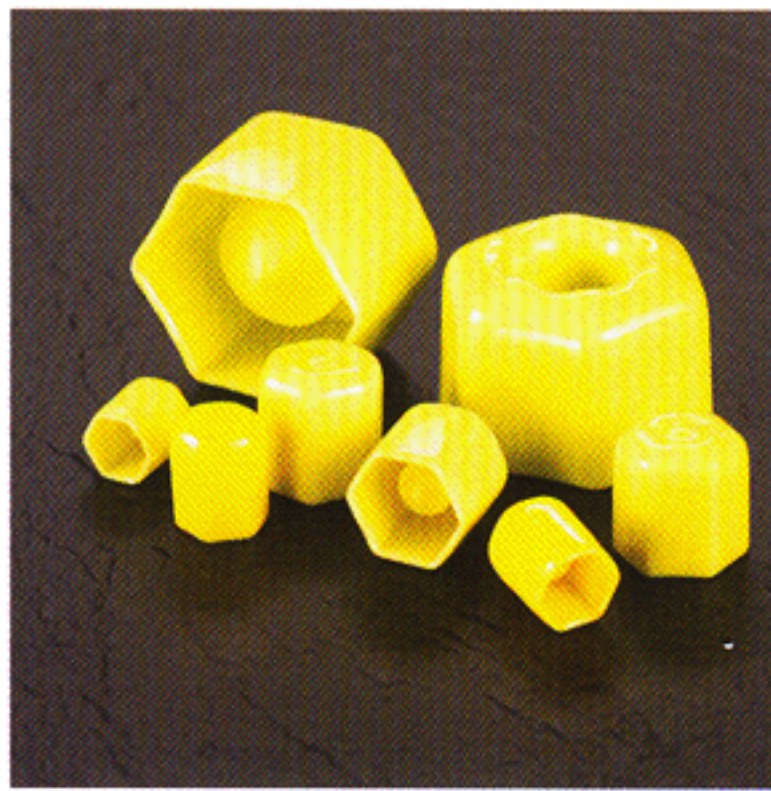
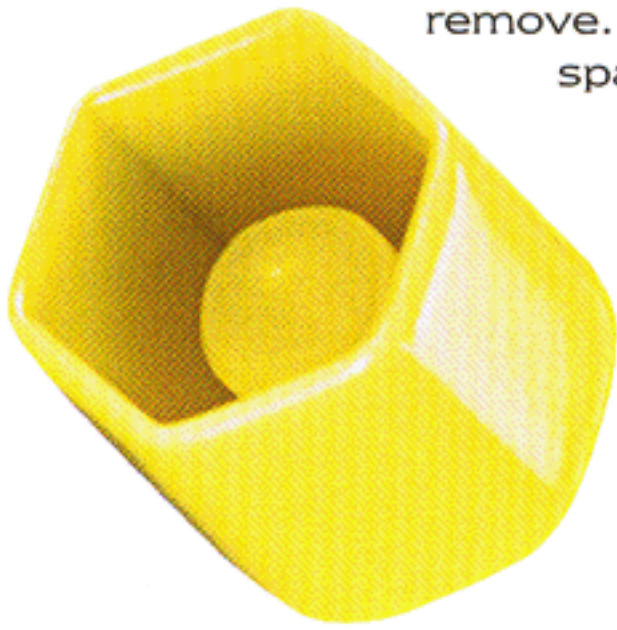




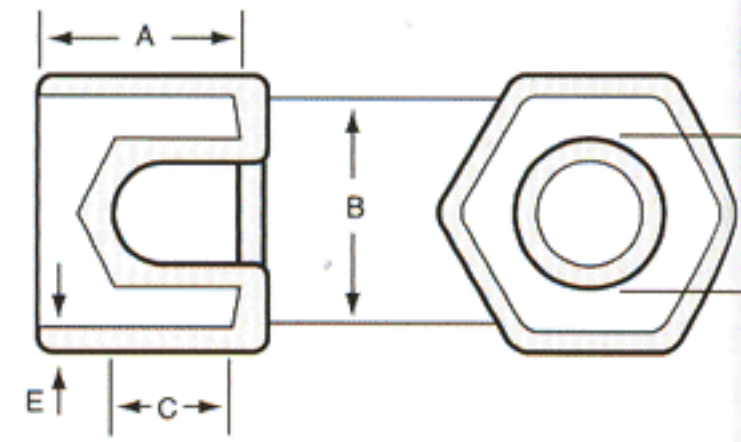
# CAPS Polaris Vinyl

## AN Series Vinyl Hex Caps

Designed for AN style fittings, Series AN Caps are easy to install and remove. Engineered with aerospace quality, these caps are available in all common hydraulic nut sizes. No tools are required to install Series AN Caps.

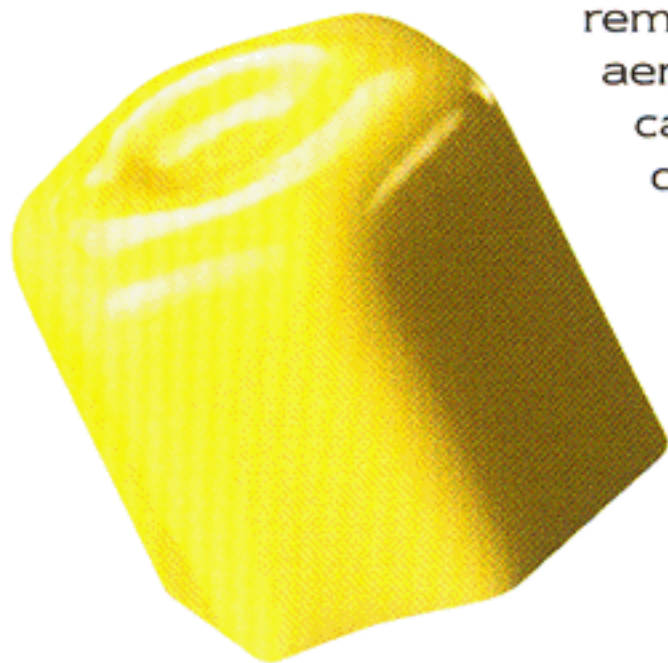


**MATERIAL:** Vinyl  
**COLORS\*:** White, Black, Brown, Orange, Red, Green, Grey, Blue, Yellow – Call factory for colors in stock

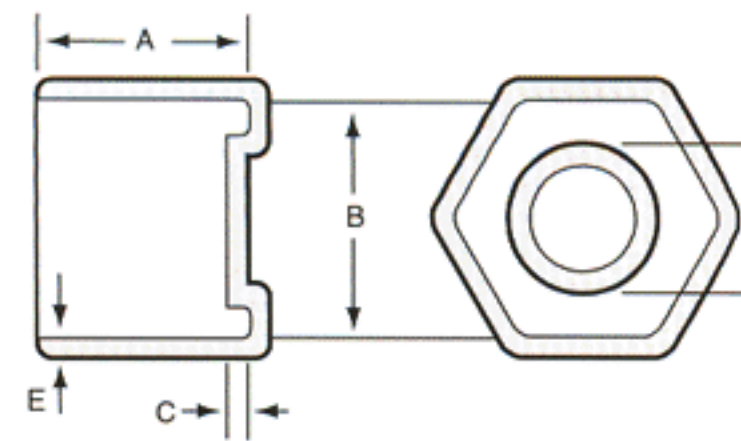


## MS Series Vinyl Hex Caps

Series MS Caps, used for MS style fittings, are easy to install and remove. Engineered with aerospace quality, these caps are available in all common hydraulic nut sizes. No tools are required to install Series MS Caps.



**MATERIAL:** Vinyl  
**COLORS\*:** White, Black, Brown, Orange, Red, Green, Grey, Blue, Yellow – Call factory for colors in stock





## AN Series

Dimensions										Packaging				Caplug No.
A		B		C		D		E		Standard Carton		Mini Pak Quantity		
in	mm	in	mm	in	mm	in	mm	in	mm	Shipping Wt. (Approx.) lbs	kgs		No. of Pieces	
0.550	13.97	0.375	9.53	0.250	6.35	0.203	5.16	0.055	1.40	16	7.3	5000	1000	AN-2
0.625	15.88	0.440	11.18	0.370	9.40	0.203	5.16	0.060	1.52	22	10.0	5000	1000	AN-3
0.645	16.38	0.560	14.22	0.435	11.05	0.250	6.35	0.060	1.52	33	15.0	5000	1000	AN-4
0.690	17.53	0.625	15.88	0.475	12.07	0.315	8.00	0.060	1.52	39	17.7	5000	1000	AN-5
0.725	18.42	0.685	17.40	0.500	12.70	0.375	9.53	0.065	1.65	22	10.0	2500	500	AN-6
0.875	22.23	0.875	22.23	0.563	14.30	0.515	13.08	0.065	1.65	31	14.1	2500	500	AN-8
1.000	25.40	1.000	25.40	0.700	17.78	0.780	19.81	0.065	1.65	55	24.9	2500	500	AN-10
1.000	25.40	1.250	31.75	0.700	17.78	0.780	19.81	0.065	1.65	29	13.2	1000	200	AN-12
1.100	27.94	1.375	34.93	0.700	17.78	0.880	22.35	0.065	1.65	32	14.5	1000	200	AN-14
1.100	27.94	1.500	38.10	0.750	19.05	1.000	25.40	0.065	1.65	33	15.0	1000	200	AN-16
1.250	31.75	1.815	46.10	0.950	24.13	1.219	30.96	0.065	1.65	28	12.7	500	100	AN-20
1.500	38.10	2.250	57.15	-	-	-	-	0.075	1.91	24	10.9	400	80	AN-24
1.500	38.10	2.625	66.68	-	-	-	-	0.075	1.91	16	7.3	200	40	AN-28

## MS Series

Dimensions										Packaging				Caplug No.
A		B		C		D		E		Standard Carton		Mini Pak Quantity		
in	mm	in	mm	in	mm	in	mm	in	mm	Shipping Wt. (Approx.) lbs	kgs		No. of Pieces	
0.550	13.97	0.375	9.53	0.100	2.54	0.190	4.83	0.055	1.40	14	6.4	5000	1000	MS-2
0.625	15.88	0.440	11.18	0.100	2.54	0.245	6.22	0.060	1.52	19	8.6	5000	1000	MS-3
0.725	18.42	0.560	14.22	0.100	2.54	0.250	6.35	0.060	1.52	28	12.7	5000	1000	MS-4
0.800	20.32	0.685	17.40	0.100	2.54	0.375	9.53	0.060	1.52	48	21.8	5000	1000	MS-6
0.825	20.96	0.870	22.10	0.110	2.79	0.500	12.70	0.065	1.60	15	6.8	1000	200	MS-8
1.000	25.40	0.995	25.27	0.190	4.83	0.635	16.13	0.065	1.65	17	7.7	1000	200	MS-10
1.000	25.40	1.125	28.58	-	-	-	-	0.065	1.65	18	8.1	1000	200	MS-11
1.020	25.91	1.250	31.75	0.190	4.83	0.795	20.19	0.065	1.65	12	5.4	500	100	MS-12
1.050	26.67	1.375	34.93	0.125	3.18	0.860	21.84	0.065	1.65	30	13.6	1000	200	MS-14
1.180	29.97	1.500	38.10	0.125	3.18	1.000	25.40	0.065	1.65	35	15.9	1000	200	MS-16
1.250	31.75	1.815	46.10	0.125	3.18	1.225	31.12	0.065	1.65	30	13.6	500	100	MS-20
1.500	38.10	2.250	57.15	-	-	-	-	0.075	1.91	29	13.2	400	80	MS-24
1.500	38.10	2.625	66.68	-	-	-	-	0.075	1.91	20	9.1	200	40	MS-28