



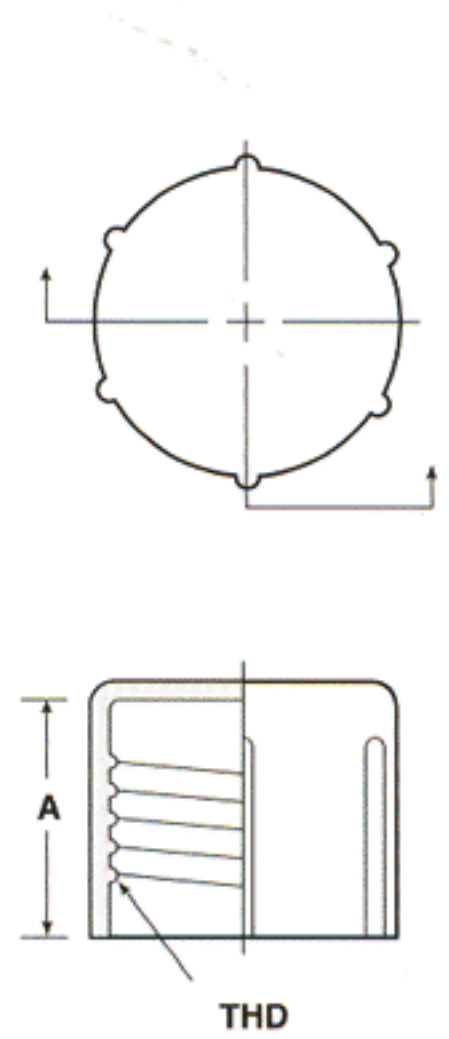
# CAPS threaded

## CD Series Threaded Plastic Caps for Flared JIC Fittings

Knurled for ease of application, Series CD Caps seal flared JIC fittings exceptionally well against dirt and moisture, as well as for masking during dipping, painting and plating.



MATERIAL: Low Density Polyethylene  
COLOR\*: Red

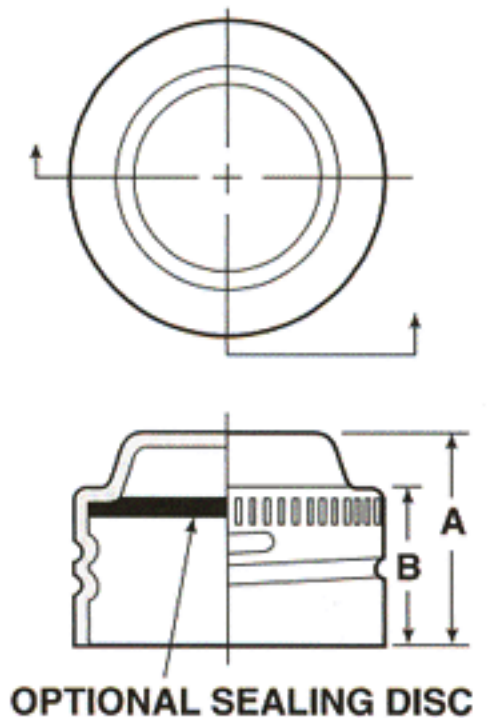


## ASC Series Threaded Aluminum Caps for Threaded, Flared Fittings

A standard aerospace and fluid power protective cap, the Series ASC has a nose-section design that forms a low-pressure seal on threaded, flared fittings. A more positive seal is possible with the addition of a sealing disc (Series ASC-DN). Stock sealing discs are Neoprene; Butyl or Buna N rubber are also available.



MATERIAL: 3003-0 Aluminum Alloy





# threaded CAPS



## CD Series

MIL-C-52078, MIL-C-5501/3, MIL-C-5501/11, (NAS-814), NAS-832

Dimensions					Packaging			Mini Pak Quantity	Caplug No.
To Fit Tube Size	To Fit Thread Size	A		No. of Ribs	Standard Carton				
		in	mm		Shipping Wt. (Approx.)				
					lbs	kgs	No. of Pieces		
-	1/4-36	.22	5.55	4	4	1.8	5000	1000	CD-2
3/16	3/8-24	.47	11.94	4	7	3.1	5000	1000	CD-3
1/4	7/16-20	.47	11.94	4	7	3.1	5000	1000	CD-4
1/4	7/16-24	.30	7.62	4	5	2.2	5000	1000	CD-41
5/16	1/2-20	.47	11.94	6	9	4.0	5000	1000	CD-5
3/8	9/16-18	.53	13.46	6	10	4.5	5000	1000	CD-6
3/8	5/8-18	.53	13.46	6	12	5.4	5000	1000	CD-6A
3/8	5/8-18	.41	10.41	6	10	4.5	5000	1000	CD-66
-	5/8-24	.41	10.41	6	8	3.6	5000	1000	CD-67
1/2	3/4-16	.57	14.48	6	15	6.8	5000	1000	CD-8
-	3/4-20	.50	12.70	6	13	5.8	5000	1000	CD-82
5/8	7/8-14	.68	17.27	6	20	9.0	5000	1000	CD-10
5/8	7/8-18	.44	11.18	6	15	6.8	5000	1000	CD-101
-	1-14	.78	19.81	8	13	5.8	2500	500	CD-11
3/4	1 1/16-12	.75	19.05	8	17	7.6	2500	500	CD-12
3/4	1 1/16-14	.75	19.05	8	15	6.8	2500	500	CD-12A
-	1 1/8-18	.50	12.70	8	11	4.9	2500	500	CD-130
7/8	1 3/16-12	.94	23.88	6	19	8.6	2500	500	CD-14
-	1 1/4-18	.50	12.70	8	13	5.8	2500	500	CD-150
1	1 5/16-12	.84	21.34	8	11	4.9	1000	200	CD-16
1	1 3/8-18	.50	12.70	8	15	6.8	2500	500	CD-170
-	1 1/2-12	.75	19.05	8	13	5.8	1000	200	CD-18
1 1/4	1 5/8-12	.91	23.11	8	12	5.4	1000	200	CD-20
-	1 3/4-12	.94	23.88	8	11	4.9	1000	200	CD-22
1 1/2	1 7/8-12	1.00	25.40	8	14	6.3	1000	200	CD-24
-	3-12	1.16	29.47	12	12	5.4	250	50	CD-400

## ASC Series

MIL-C-5501/3, NAS-817, NAS-835

Dimensions						Packaging			Mini Pak Quantity	Caplug No.
To Fit Tube Size	To Fit Thread Size	A		B		Standard Carton				
		in	mm	in	mm	Shipping Wt. (Approx.)				
						lbs	kgs	No. of Pieces		
1/8	5/16-24	.42	10.67	.33	9.65	5	2.2	5000	1000	ASC-2
3/16	3/8-24	.36	9.14	.30	7.62	6	2.7	5000	1000	ASC-3
1/4	7/16-20	.54	13.72	.46	11.68	9	4.0	5000	1000	ASC-4
5/16	1/2-20	.52	13.21	.43	10.92	9	4.0	5000	1000	ASC-5
3/8	9/16-18	.54	13.72	.46	11.68	14	6.3	6000	1000	ASC-6
7/16	5/8-18	.61	15.49	.52	13.21	15	6.8	5000	1000	ASC-7
1/2	3/4-16	.64	16.26	.55	13.97	23	10.3	6000	1000	ASC-8
5/8	7/8-14	.74	18.80	.65	16.51	13	5.8	3700	500	ASC-10
3/4	1 1/16-12	.85	21.59	.76	19.30	18	8.1	2200	500	ASC-12
1	1 5/16-12	.86	21.84	.76	19.30	13	5.8	1400	200	ASC-16
1 1/4	1 5/8-12	.87	22.22	.71	18.25	12	5.4	950	190	ASC-20





# CAPS threaded

## PC Series Plastic Threaded Caps for Pipe Ends

EXPANDED

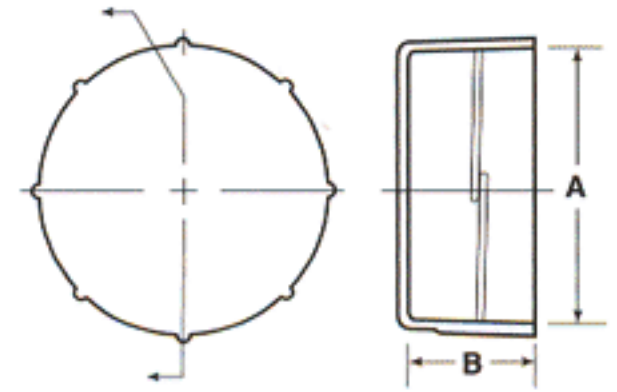


Heavy wall polyethylene Series PC Caps ensure protection for threaded pipe ends. Extra length provides sealing on pipe surface beyond last thread. These caps not only protect the NPT threads from damage during handling and storage, but they also prevent moisture, debris and rodents from entering the pipe.

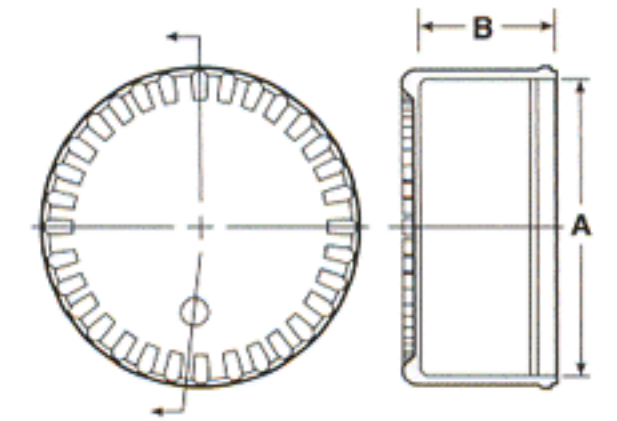


**MATERIAL:** Low Density Polyethylene  
**COLOR\*:** as shown in spec table

PC-3/8 thru PC-2



PC-6, -8 have ribbing  
 PC-3, -3 1/2, -4, -5, -10, -12, are smooth  
 Built-in thin membrane for optional venting







## PC Series

Dimensions					Packaging					Caplug No.
To Fit Thread Size	A		B		Color	Standard Carton		Mini Pak Quantity		
	in	mm	in	mm		Shipping Wt. (Approx.) lbs	kgs		No. of Pieces	
3/8 NPT	.68	17.27	.50	12.70	Black	9	4.0	5000	1000	PC-3/8 (602)
1/2 NPT	.84	21.34	.87	22.10	Black	21	9.4	2500	500	PC-1/2 (603)
3/4 NPT	1.05	26.67	.91	23.11	Black	13	5.8	2500	500	PC-3/4 (604)
1 NPT	1.32	33.53	1.05	26.67	Black	13	5.8	1000	200	PC-1 (605)
1 1/4 NPT	1.66	42.17	1.05	26.67	Black	18	8.1	1000	200	PC-1 1/4 (606)
1 1/2 NPT	1.90	48.26	1.07	27.18	Black	11	4.9	500	100	PC-1 1/2 (607)
2 NPT	2.38	60.45	1.09	27.69	Black	15	6.8	500	100	PC-2 (608)
3 NPT	3.50	88.90	2.00	50.80	Black	25	11.2	300	60	PC-3
3 1/2 NPT	4.02	102.00	2.34	59.44	Black	25	11.3	150	N/A	PC-3 1/2
4 NPT	4.50	114.30	2.10	53.34	Black	24	10.8	150	N/A	PC-4
5 NPT	5.56	141.23	2.21	56.14	Black	23	10.3	100	N/A	PC-5
6 NPT	6.62	168.15	2.32	58.93	Black	18	8.1	60	N/A	PC-6
8 NPT	8.62	218.96	2.50	63.50	Black	18	8.1	35	N/A	PC-8
10 NPT	10.75	273.06	2.80	71.12	Blue	18	8.1	40	N/A	PC-10
12 NPT	12.88	327.16	2.53	64.26	Blue	22	9.9	25	N/A	PC-12