

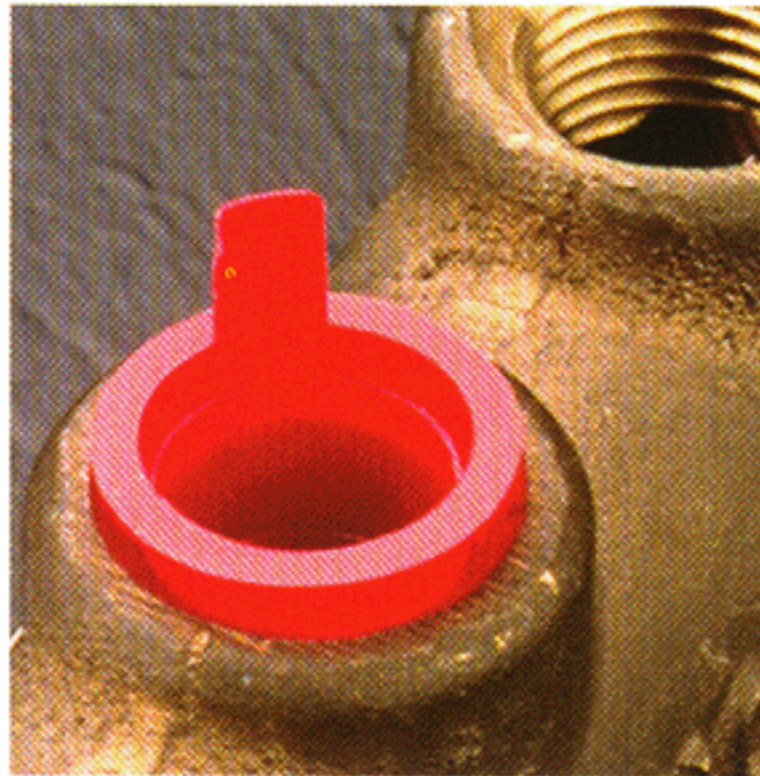


PLUGS non-threaded

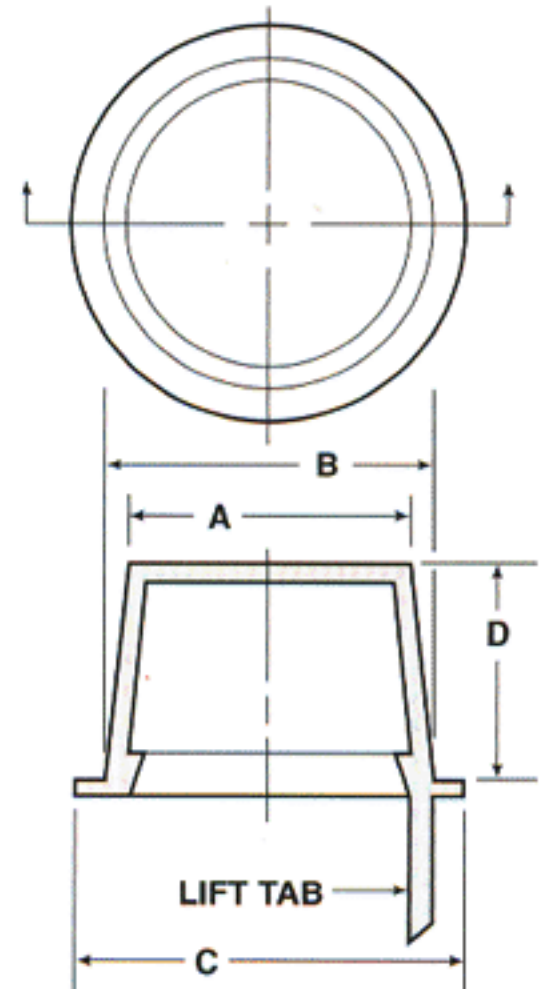
L Series Lift-Tab Tapered Plugs



Having the same dimensions as standard Tapered Capplugs of like size, Series L Plugs offer the added convenience of an integral lift-tab which facilitates their removal. Since it extends above the plug body, the tab is easy to grasp. This is particularly advantageous with plugs in the smaller sizes and those installed in tight quarters or difficult to reach locations. A bead molded on the tab affords a positive grip. Pulling the tab exerts an off-center force which breaks the seal between plug and wall of opening, permitting instant withdrawal.



MATERIAL: Low Density Polyethylene
COLOR*: Red



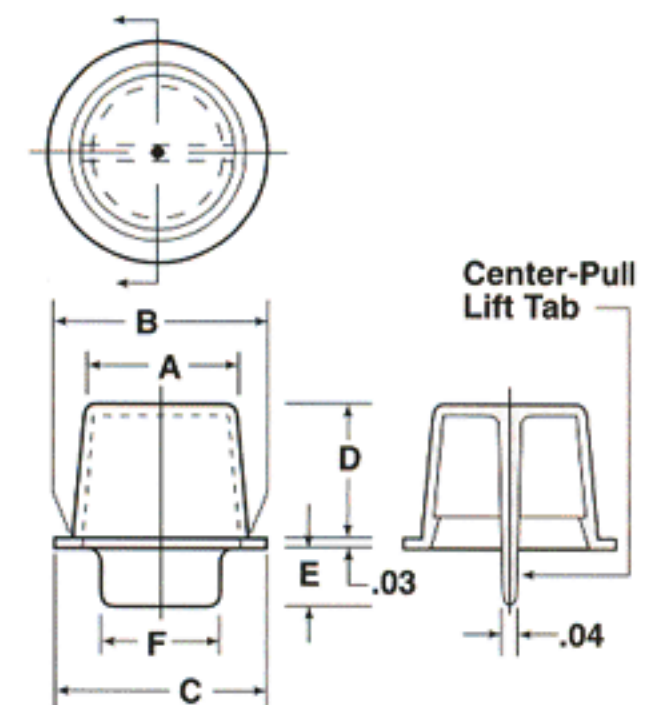
CPT Series Center-Pull Tab Tapered Plugs



Series CPT Plugs have the same configuration and dimensions of standard Tapered Capplugs but with an integral center-pull tab which facilitates insertion and removal of the plug. The tab extends well above the plug body, making it easy to grasp. Since the tab is molded fully into the end and side walls of the plug, it will not break off during plug removal. The concentric design of the CPT allows a straight-pull removal without disturbing O-ring fittings.



MATERIAL: Low Density Polyethylene
COLOR*: Red



EXPANDED

non-threaded PLUGS



L Series

Dimensions								Packaging				Caplug No.
A		B		C		D		Standard Carton		Mini Pak Quantity		
in	mm	in	mm	in	mm	in	mm	Shipping Wt.(Approx.) lbs	kgs		No. of Pieces	
.236	5.99	.302	7.67	.44	11.18	.38	9.65	3	1.3	5000	1000	L-1
.267	6.78	.335	8.51	.47	11.94	.38	9.65	3	1.3	5000	1000	L-1X
.299	7.59	.365	9.27	.50	12.70	.38	9.65	4	1.8	5000	1000	L-2
.330	8.38	.396	10.06	.53	13.46	.38	9.65	5	2.2	5000	1000	L-2X
.361	9.17	.427	10.85	.56	14.22	.38	9.65	4	1.8	5000	1000	L-3
.390	9.91	.456	11.58	.59	14.99	.38	9.65	4	1.8	5000	1000	L-3X
.419	10.64	.485	12.32	.62	15.75	.38	9.65	6	2.7	5000	1000	L-4
.447	11.35	.513	13.03	.66	16.76	.38	9.65	6	2.7	5000	1000	L-4X
.471	11.96	.547	13.89	.69	17.53	.44	11.18	6	2.7	5000	1000	L-5
.500	12.70	.576	14.63	.72	18.29	.44	11.18	8	3.6	5000	1000	L-5X
.532	13.51	.608	15.44	.75	19.05	.44	11.18	7	3.1	5000	1000	L-6
.550	13.97	.631	16.03	.75	19.05	.47	11.94	9	4.0	5000	1000	L-6X
.580	14.73	.667	16.94	.81	20.57	.50	12.70	8	3.6	5000	1000	L-7
.610	15.49	.695	17.65	.84	21.34	.50	12.70	10	4.5	5000	1000	L-7X
.640	16.26	.727	18.47	.88	22.35	.50	12.70	10	4.5	5000	1000	L-8
.675	17.15	.755	19.18	.88	22.35	.50	12.70	11	4.9	5000	1000	L-8X
.690	17.53	.788	20.02	.94	23.88	.56	14.22	13	5.8	5000	1000	L-9
.725	18.42	.823	20.91	.97	24.64	.56	14.22	13	5.8	5000	1000	L-9X
.750	19.05	.848	21.54	1.00	25.40	.56	14.22	13	5.8	5000	1000	L-10
.802	20.37	.911	23.14	1.06	26.93	.62	15.75	16	7.2	5000	1000	L-11
.815	20.70	.930	23.62	1.09	27.69	.62	15.75	16	7.2	5000	1000	L-11X
.866	21.99	.975	24.77	1.12	28.45	.62	15.75	15	6.8	5000	1000	L-12
.915	23.24	1.040	26.42	1.16	29.47	.68	17.27	15	6.8	5000	1000	L-12X
.960	24.38	1.047	26.59	1.19	30.23	.50	12.70	18	8.2	5000	1000	L-13A
.964	24.49	1.090	27.69	1.25	31.75	.75	19.05	13	5.8	2500	500	L-13
.995	25.27	1.145	29.08	1.31	33.28	.75	19.05	13	5.8	2500	500	L-13X
1.094	27.79	1.215	30.86	1.41	35.82	.75	19.05	14	6.3	2500	500	L-14
1.175	29.85	1.284	32.61	1.44	36.58	.62	15.75	13	5.8	2500	500	L-14X
1.235	31.37	1.360	34.55	1.50	38.10	.81	20.57	17	7.6	2500	500	L-15X
1.312	33.33	1.465	37.21	1.62	41.15	.88	22.35	8	3.6	1000	200	L-16
1.447	36.76	1.600	40.64	1.75	44.45	.88	22.35	9	4.0	1000	200	L-17
1.560	39.63	1.682	42.72	1.88	47.75	.75	19.05	10	4.5	1000	200	L-18
1.630	41.40	1.750	44.45	1.94	49.28	.75	19.05	10	4.5	1000	200	L-18X
1.750	44.45	1.880	47.75	2.00	50.80	.75	19.05	9	4.0	1000	200	L-19
1.780	45.21	1.950	49.53	2.12	53.85	1.00	25.40	10	4.5	1000	200	L-20
1.844	46.84	2.000	50.80	2.12	53.85	1.00	25.40	11	4.9	1000	200	L-210
1.900	48.26	2.076	52.73	2.25	57.15	1.00	25.40	13	5.8	1000	200	L-21

CPT Series

Dimensions												Packaging				Caplug No.
A		B		C		D		E		F		Standard Carton		Mini Pak Quantity		
in	mm	in	mm	in	mm	in	mm	in	mm	in	mm	Shipping Wt.(Approx.) lbs	kgs		No. of Pieces	
.236	5.99	.302	7.67	.44	11.18	.38	9.65	.38	9.65	.13	3.30	5	2.3	5000	1000	CPT-1
.299	7.59	.365	9.27	.50	12.70	.38	9.65	.38	9.65	.19	4.83	6	2.7	5000	1000	CPT-2
.330	8.38	.396	10.06	.53	13.46	.38	9.65	.38	9.65	.23	5.84	6	2.7	5000	1000	CPT-2X
.330	8.38	.396	10.06	.73	18.54	.38	9.65	.38	9.65	.23	5.84	7	3.2	5000	1000	CPT-2XW
.361	9.17	.427	10.85	.56	14.22	.38	9.65	.38	9.65	.25	6.35	7	3.2	5000	1000	CPT-3
.419	10.64	.485	12.32	.62	15.75	.38	9.65	.38	9.65	.31	7.87	8	3.6	5000	1000	CPT-4
.465	11.81	.524	13.31	.76	19.30	.38	9.65	.38	9.65	.33	8.38	9	4.1	5000	1000	CPT-4X
.471	11.96	.547	13.89	.69	17.53	.44	11.18	.38	9.65	.37	9.40	9	4.1	5000	1000	CPT-5
.532	13.51	.608	15.44	.75	19.05	.44	11.18	.31	7.87	.43	10.92	10	4.5	5000	1000	CPT-6
.550	13.97	.631	16.03	.75	19.05	.47	11.94	.25	6.35	.45	11.43	11	5.0	5000	1000	CPT-6X
.690	17.53	.788	20.02	.94	23.88	.56	14.22	.25	6.35	.50	12.70	15	6.8	5000	1000	CPT-9
.915	23.24	1.040	26.41	1.16	29.46	.68	17.46	.25	6.35	.50	12.70	24	10.9	5000	1000	CPT-12X
1.150	29.21	1.274	32.36	1.55	39.37	.50	12.70	.50	12.70	.82	20.83	15	6.8	2000	400	CPT-14X
2.230	56.64	2.270	57.66	2.50	63.50	.50	12.70	.21	5.33	.80	20.32	12	5.4	1000	200	CPT-24S