



PLUGS non-threaded

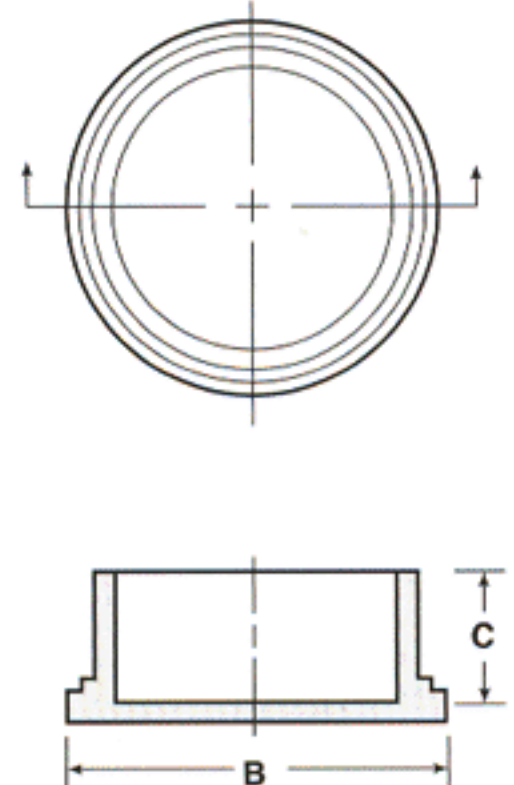
SEP Series Electrostatic-Free Plugs for Threaded Connectors



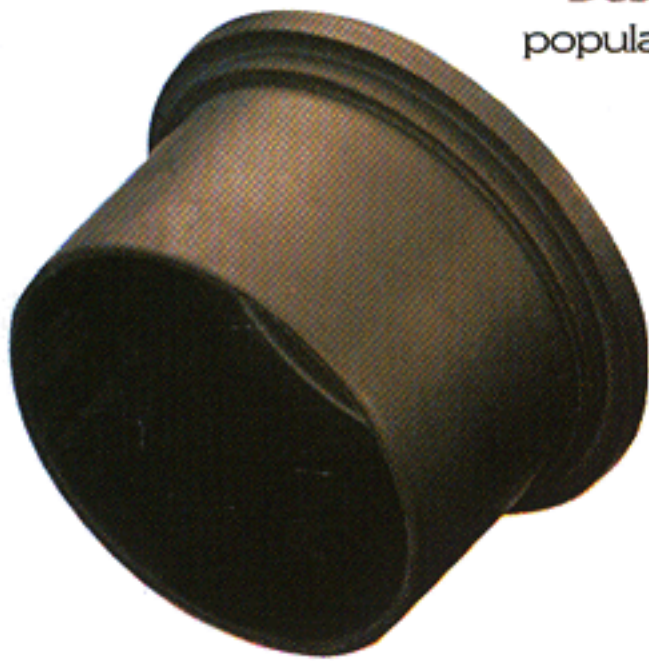
SEP Plugs are designed to fit inside both threaded and non-threaded bayonet-type connectors. All static dissipative Caplugs provide a surface resistivity in the range of at least 1×10^5 ohms/sq. but less than 1×10^{12} ohms/sq. They also meet the static decay test requirements of MIL-B-81705C, Type II.



MATERIAL: Static Dissipative Polyethylene
COLOR: Pink



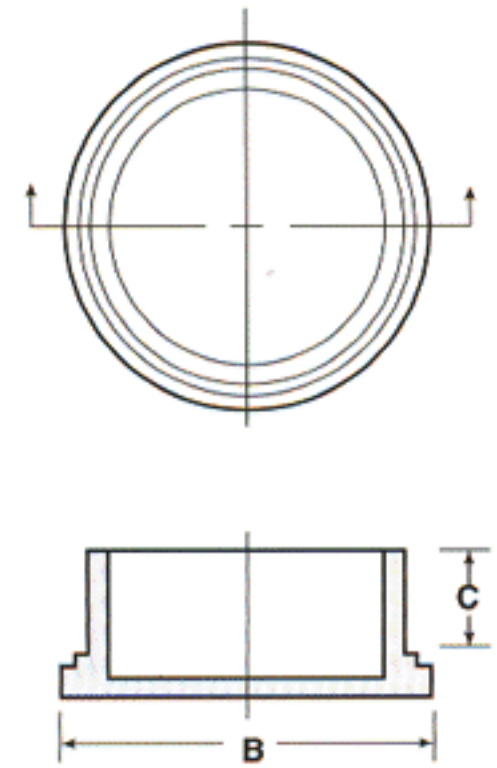
CEP Series Conductive Plugs



Designed to plug the more popular sizes of both threaded and non-threaded, bayonet-type electrical and electronic connectors, CEP Conductive Plugs provide an electrical shielding as well as mechanical protection.



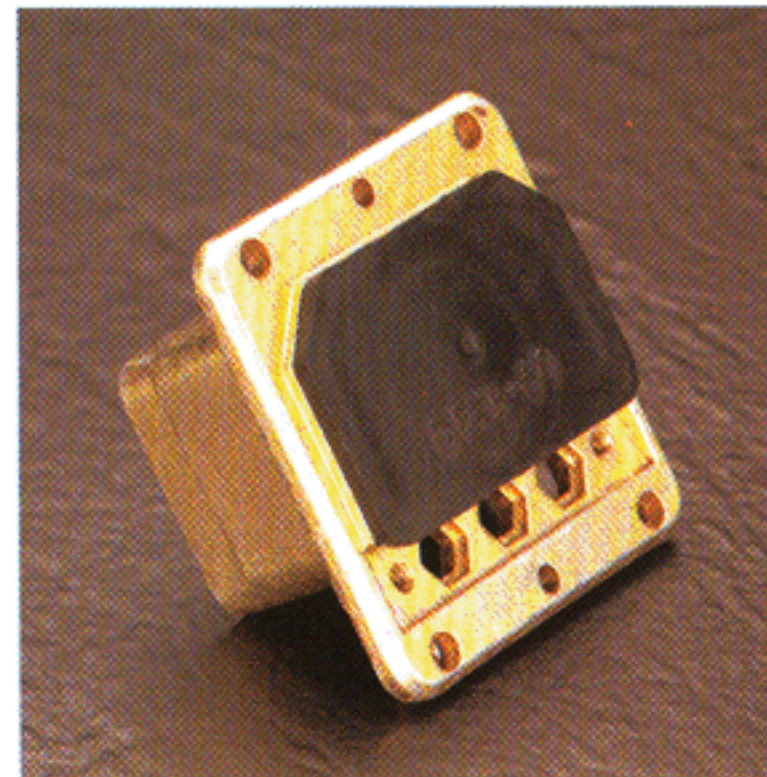
MATERIAL: Conductive Polyethylene
COLOR: Black



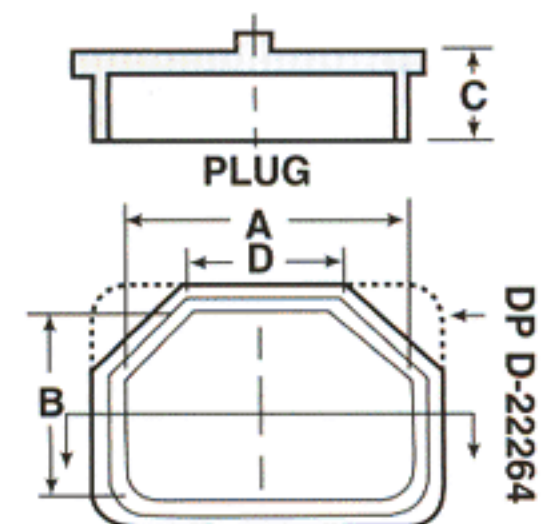
DP Series Conductive Plugs



DP Series Conductive Plugs are designed to dissipate electrostatic charges, and provide mechanical protection and an electrical shielding for ITT Cannon-style connectors commonly used in aerospace and military applications.



MATERIAL: Conductive Polyethylene
COLOR: Black



non-threaded PLUGS



MS-90376-YF, NAS-837B

SEP Series

To Fit Thread Size	Dimensions				Packaging			Caplug No.	
	B		C		Standard Carton		Mini Pak Quantity		
	in	mm	in	mm	Shipping Wt. (Approx.) lbs	kgs			No. of Pieces
1/2-28	.67	17.01	.62	15.74	10	4.5	5000	1000	SEP-8
5/8-24	.75	19.05	.62	15.74	12	5.4	5000	1000	SEP-10
3/4-20	.86	21.84	.62	15.74	17	7.6	5000	1000	SEP-12
7/8-20	1.03	25.16	.62	15.74	20	9.0	5000	1000	SEP-14
1-20	1.12	28.44	.62	15.74	12	5.4	2500	500	SEP-16
1 1/8-18	1.25	31.75	.62	15.74	13	5.8	2500	500	SEP-18
1 1/4-18	1.40	35.56	.62	15.74	14	6.3	2500	500	SEP-20
1 3/8-18	1.50	38.10	.62	15.74	17	7.6	2500	500	SEP-22
1 1/2-18	1.64	41.65	.62	15.74	8	3.6	1000	200	SEP-24
1 9/16-18	1.81	45.98	.62	15.74	10	4.5	1000	200	SEP-25
1 3/4-18	1.87	47.49	.62	15.74	11	4.9	1000	200	SEP-28
2-18	2.13	54.10	.62	15.74	12	5.4	1000	200	SEP-32
2 1/4-16	2.34	59.44	.62	15.74	15	6.8	1000	200	SEP-36
2 1/2-16	2.60	66.04	.62	15.74	18	8.1	1000	200	SEP-40

MS-90376-YB, NAS-837C

CEP Series

To Fit Thread Size	Dimensions				Packaging			Caplug No.	
	B		C		Standard Carton		Mini Pak Quantity		
	in	mm	in	mm	Shipping Wt. (Approx.) lbs	kgs			No. of Pieces
1/2-28	0.67	17.02	.55	13.97	5.4	12	5000	1000	CEP-08
5/8-24	0.76	19.05	.55	13.97	6.8	15	5000	1000	CEP-10
3/4-20	0.88	22.35	.56	14.22	9.9	22	5000	1000	CEP-12
7/8-20	1.02	25.91	.56	14.22	11.7	26	5000	1000	CEP-14
1-20	1.16	29.47	.55	13.97	5.8	13	2500	500	CEP-16
1 1/8-18	1.25	32.25	.55	13.97	6.8	15	2500	500	CEP-18
1 1/4-18	1.45	36.83	.55	13.97	8.6	19	2500	500	CEP-20
1 3/8-18	1.52	38.61	.54	13.72	9.4	21	2500	500	CEP-22
1 1/2-18	1.67	42.42	.55	13.97	4.5	10	1000	200	CEP-24
1 3/4-18	1.90	48.51	.55	13.97	6.3	14	1000	200	CEP-28
1 13/16-16	1.94	49.28	.56	14.22	5.8	13	1000	200	CEP-29
2-18	2.16	58.87	.55	13.97	7.2	16	1000	200	CEP-32
2 1/4-16	2.39	60.71	.57	14.47	8.1	18	1000	200	CEP-36
2 1/2-16	2.67	67.82	.56	14.22	8.1	18	1000	200	CEP-40
2 3/4-16	2.88	73.15	.56	14.22	5.8	13	500	100	CEP-44
3-16	3.12	79.50	.54	13.72	6.3	14	500	100	CEP-48

Dissipative Caplugs and CEC Conductive Caplugs are packaged in static dissipative poly bags.

DP Series

in	Dimensions								Packaging			Caplug No.
	A		B		C		D		Standard Carton		Mini Pak Quantity	
	in	mm	in	mm	in	mm	in	mm	Shipping Wt. (Approx.) lbs	kgs		
1.656	42.06	1.005	25.52	.34	8.64	1.16	29.46	4	1.81	500	100	DP XB-60
2.422	61.52	1.425	36.19	.76	19.30	-	-	3	1.36	200	40	DP D-22264
1.430	36.32	.780	19.81	.40	10.16	1.09	27.68	13	5.89	500	100	DP A-60