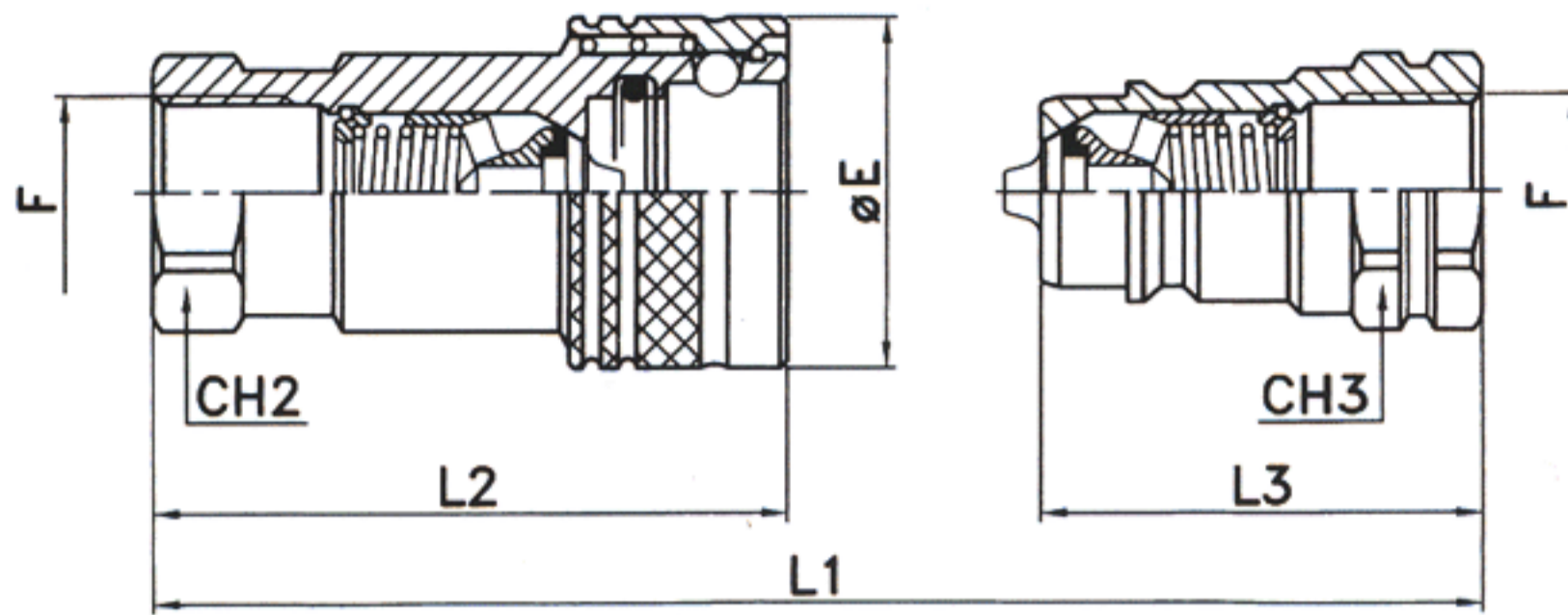


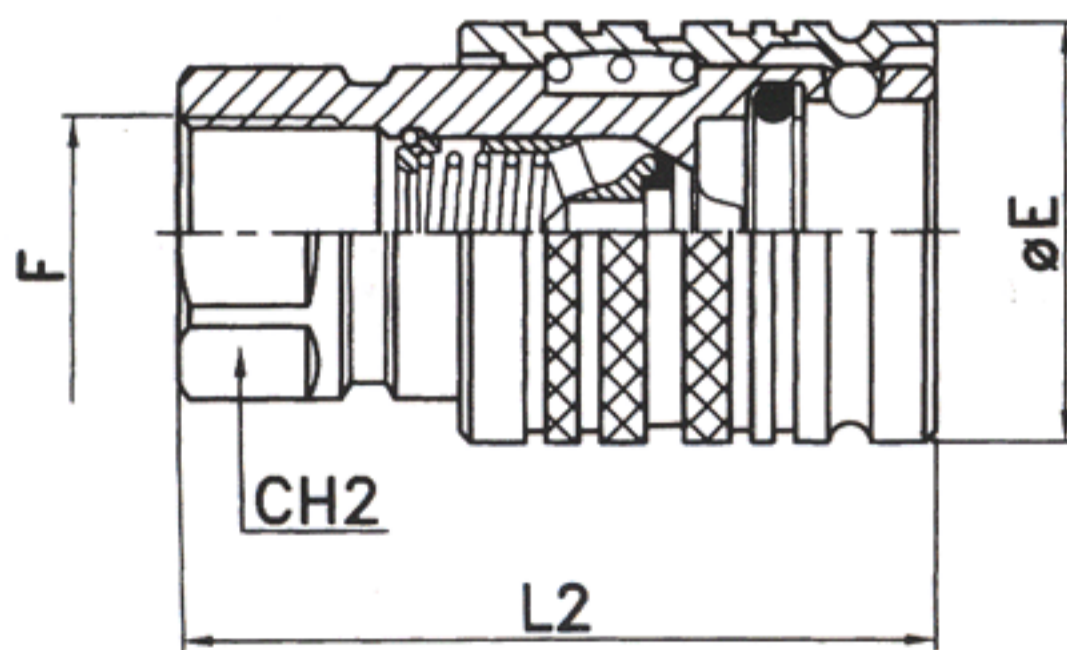
# NV SERIES AGRICULTURAL INTERCHANGE COUPLINGS – POPPET TYPE



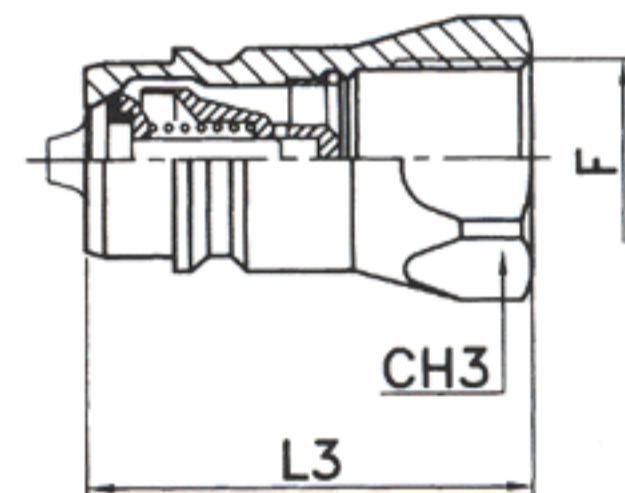
DIRECT INTERCHANGE TO:	
NAME	SERIES
PARKER	4000-P
AEROQUIP	42/56/76
FASTER	NV
SAFEWAY	S 20-P/S 40-P

COUPLER PART NUMBER	PLUG PART NUMBER	NOMINAL SIZE	MATERIAL	WORKING PRESSURE	THREAD F	CH2	CH3	ØE	L1	L2	L3
NV-14-F	NV-14-M	1/4"	STEEL	5075 PSI	1/4" NPT F	.75	.75	1.06	2.99	2.19	1.49
NV-14-BSP-F	NV-14-BSP-M				1/4" BSPP	.75	.75	1.06	2.99	2.19	1.49
NV-38-F	NV-38-M	3/8"	STEEL	3625 PSI	3/8" NPT F	.94	.94	1.34	3.35	2.48	1.69
NV-38-BSP-F	NV-38-BSP-M				3/8" BSPP	.94	.94	1.34	3.35	2.48	1.69
NV-12-F	NV-12-M	1/2"	STEEL	3625 PSI	1/2" NPT F	1.06	1.06	1.49	3.78	2.76	1.89
NV-12-BSP-F	NV-12-BSP-M				1/2" BSPP	1.06	1.06	1.49	3.78	2.76	1.89
NV-12-UNF-F	2NV-12-UNF-M				3/4"-16 UNF	1.06	1.06	1.49	3.78	2.76	1.89
PV-12-F	2NV-12-M				1/2" NPT F	1.06	1.06	1.49	3.78	2.76	1.89
PV-12-BSP-F	2NV-12-BSP-M				1/2" BSPP	1.06	1.06	1.49	3.78	2.76	1.89
PV-12/34-F	2NV-12/34-M				3/4" NPT F	1.06	1.06	1.49	4.72	3.05	2.54
PV-12/34-BSP-F	2NV-12/34-BSP-M				3/4" BSPP	1.06	1.06	1.49	4.72	3.05	2.54
PV-12-UNF-F	2NV-12-UNF-M				3/4"-16 UNF	1.06	1.06	1.49	3.78	2.76	1.89
PV-12-UNF-02	2NV-12-UNF-M-02				3/4"-16 UNFM	1.06	1.06	1.49	3.78	2.76	1.89
*NV-34-F	*NV-34-M				3/4"	STEEL	3625 PSI	3/4" NPT F	1.34	1.34	1.85
*NV-34-BSP-F	*NV-34-BSP-M	3/4" BSPP	1.34	1.34				1.85	4.49	3.39	2.24
NV-1-F	NV-1-M	1"	STEEL	3625 PSI	1" NPT F	1.61	1.61	2.05	5.16	3.90	2.58
NV-1-BSP-F	NV-1-BSP-M				1" BSPP	1.61	1.61	2.05	5.16	3.90	2.58
NV-114-F	NV-114-M	1 1/4"	STEEL	3625 PSI	1 1/4" NPT F	1.97	1.97	2.76	5.91	4.61	2.95
NV-114-BSP-F	NV-114-BSP-M				1 1/4" BSPP	1.97	1.97	2.76	5.91	4.61	2.95
NV-112-F	NV-112-M	1 1/2"	STEEL	3045 PSI	1 1/2" NPT F	2.36	2.36	3.30	6.57	5.04	3.29
NV-112-BSP-F	NV-112-BSP-M				1 1/2" BSPP	2.36	2.36	3.30	6.57	5.04	3.29
NV-2-F	NV-2-M	2"	STEEL	1450 PSI	2" NPT F	2.95	2.95	4.65	7.87	5.98	3.94
NV-2-BSP-F	NV-2-BSP-M				2" BSPP	2.95	2.95	4.65	7.87	5.98	3.94

NOTE: P PREFIX = DOUBLE ACTING SLEEVE – PUSH PULL DESIGN  
 \* DOES NOT INTERCHANGE WITH PIONEER 3/4" POPPET TYPE COUPLER.  
 USE NSP ON PREVIOUS PAGE FOR INTERCHANGE.



PV  
Double Acting Sleeve



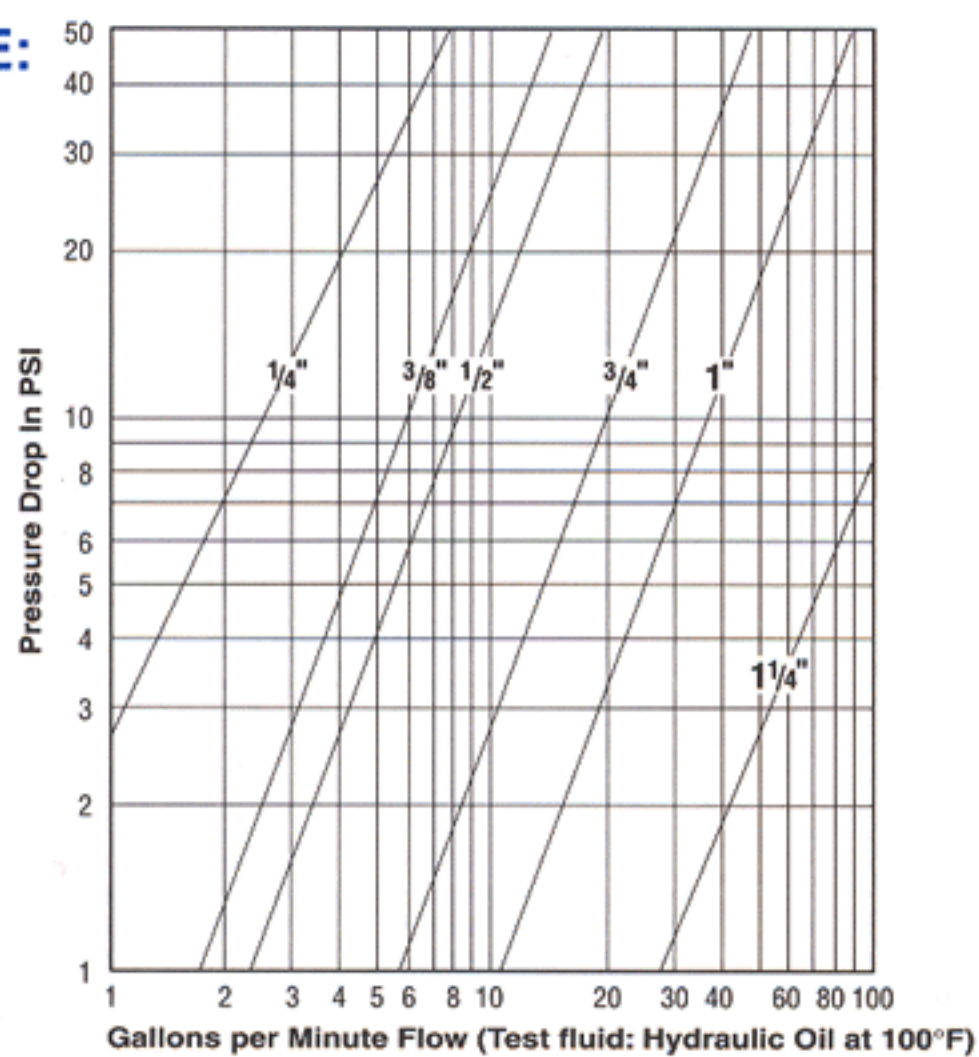
2NV  
Connectable Under Pressure Plug



# TECHNICAL DATA

NOMINAL SIZE	RATED FLOW	MINIMUM BURST-COUPLER	MINIMUM BURST-PLUG	MINIMUM BURST CONNECTED	FLUID SPILLAGE
1/4"	6.08 GPM	27,550 PSI	21,170 PSI	22,040 PSI	1.0 cc
3/8"	9.5 GPM	26,970 PSI	20,300 PSI	23,200 PSI	2.4 cc
1/2"	11.3 GPM	18,850 PSI	15,370 PSI	16,820 PSI	2.7 cc
3/4"	24.5 GPM	17,400 PSI	15,370 PSI	15,370 PSI	8.6 cc
1"	27.5 GPM	16,820 PSI	15,225 PSI	14,790 PSI	13.0 cc
1 1/4"	51.6 GPM	14,500 PSI	17,255 PSI	14,500 PSI	30.0 cc
1 1/2"	88.5 GPM	13,920 PSI	12,180 PSI	12,760 PSI	52.0 cc
2"	215.0 GPM	7,250 PSI	6,090 PSI	6,960 PSI	90.0 cc

## PERFORMANCE:



CONTACT PCI FOR SIZES ABOVE 1 1/4"

## ACCESSORIES – DUST PROTECTORS

NOMINAL SIZE	DUST PROTECTOR FOR PLUG	DUST PROTECTOR FOR COUPLER	COLOR	MATERIAL
1/4"	TF-14-R	TM-14-R	RED	PVC
3/8"	TF-38-R	TM-38-R	RED	PVC
1/2"	TF-12-R	TM-12-R	RED	PVC
1/2"	TF-12-Y	TM-12-Y	YELLOW	PVC
1/2"	TF-12-B	TM-12-B	BLUE	PVC
1/2"	TF-12-G	TM-12-G	GREEN	PVC
1/2"	TF-12-BK	TM-12-BK	BLACK	PVC

