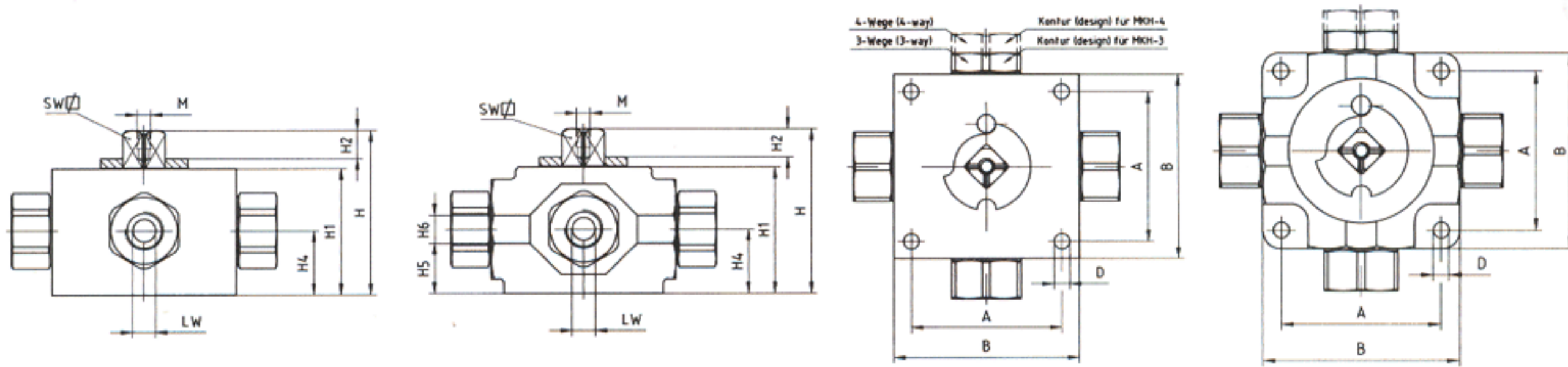


3KH / 4KH SERIES MULTI-WAY BALL VALVES – SIZES 1/4" – 3/4"



PART NUMBER	NOMINAL SIZE	THREAD	MATERIAL	PORTING	WORKING PRESSURE	A	B	INCH DIMENSIONS			
								D	H	H1	H2
3KH-14-NPT-1123-**-	1/4"	1/4" NPT F	STEEL	3-WAY	7250 PSI						
3KH-14-NPT-4425-**-	1/4"	1/4" NPT F	STAINLESS	3-WAY	7250 PSI	2.16	2.75	.25	2.68	2.04	.47
3KH-14-SAE-1123-**-	1/4"	7/8"-14 UNF	STEEL	3-WAY	7250 PSI	2.16	2.75	.25	2.68	2.04	.47
3KH-14-SAE-4425-**-	1/4"	7/8"-14 UNF	STAINLESS	3-WAY	7250 PSI	2.16	2.75	.25	2.68	2.04	.47
4KH-14-NPT-1123-**-	1/4"	1/4" NPT F	STEEL	4-WAY	7250 PSI	2.16	2.75	.25	2.68	2.04	.47
4KH-14-NPT-4425-**-	1/4"	1/4" NPT F	STAINLESS	4-WAY	7250 PSI	2.16	2.75	.25	2.68	2.04	.47
4KH-14-SAE-1123-**-	1/4"	7/8"-14 UNF	STEEL	4-WAY	7250 PSI	2.16	2.75	.25	2.68	2.04	.47
4KH-14-SAE-4425-**-	1/4"	7/8"-14 UNF	STAINLESS	4-WAY	7250 PSI	2.16	2.75	.25	2.68	2.04	.47
3KH-38-NPT-1123-**-	3/8"	3/8" NPT F	STEEL	3-WAY	7250 PSI	2.55	3.15	.25	2.79	2.17	.47
3KH-38-NPT-4425-**-	3/8"	3/8" NPT F	STAINLESS	3-WAY	7250 PSI	2.55	3.15	.25	2.79	2.17	.47
3KH-38-SAE-1123-**-	3/8"	9/16"-18 UNF	STEEL	3-WAY	7250 PSI	2.55	3.15	.25	2.79	2.17	.47
3KH-38-SAE-4425-**-	3/8"	9/16"-18 UNF	STAINLESS	3-WAY	7250 PSI	2.55	3.15	.25	2.79	2.17	.47
4KH-38-NPT-1123-**-	3/8"	3/8" NPT F	STEEL	4-WAY	7250 PSI	2.55	3.15	.25	2.79	2.17	.47
4KH-38-NPT-4425-**-	3/8"	3/8" NPT F	STAINLESS	4-WAY	7250 PSI	2.55	3.15	.25	2.79	2.17	.47
4KH-38-SAE-1123-**-	3/8"	9/16"-18 UNF	STEEL	4-WAY	7250 PSI	2.55	3.15	.25	2.79	2.17	.47
4KH-38-SAE-4425-**-	3/8"	9/16"-18 UNF	STAINLESS	4-WAY	7250 PSI	2.55	3.15	.25	2.79	2.17	.47
3KH-12-NPT-1123-**-	1/2"	1/2" NPT F	STEEL	3-WAY	5800 PSI	3.15	3.90	.34	3.03	2.36	.47
3KH-12-NPT-4425-**-	1/2"	1/2" NPT F	STAINLESS	3-WAY	5800 PSI	3.15	3.90	.34	3.03	2.36	.47
3KH-12-SAE-1123-**-	1/2"	3/4"-16 UNF	STEEL	3-WAY	5800 PSI	3.15	3.90	.34	3.03	2.36	.47
3KH-12-SAE-4425-**-	1/2"	3/4"-16 UNF	STAINLESS	3-WAY	5800 PSI	3.15	3.90	.34	3.03	2.36	.47
4KH-12-NPT-1123-**-	1/2"	1/2" NPT F	STEEL	4-WAY	5800 PSI	3.15	3.90	.34	3.03	2.36	.47
4KH-12-NPT-4425-**-	1/2"	1/2" NPT F	STAINLESS	4-WAY	5800 PSI	3.15	3.90	.34	3.03	2.36	.47
4KH-12-SAE-1123-**-	1/2"	3/4"-16 UNF	STEEL	4-WAY	5800 PSI	3.15	3.90	.34	3.03	2.36	.47
4KH-12-SAE-4425-**-	1/2"	3/4"-16 UNF	STAINLESS	4-WAY	5800 PSI	3.15	3.90	.34	3.03	2.36	.47
3KH-34-NPT-1123-**-	3/4"	3/4" NPT F	STEEL	3-WAY	5800 PSI	4.13	4.41	.34	3.52	2.79	.53
3KH-34-NPT-4425-**-	3/4"	3/4" NPT F	STAINLESS	3-WAY	5800 PSI	4.13	4.41	.34	3.52	2.79	.53
3KH-34-SAE-1123-**-	3/4"	1 1/16"-12 UNF	STEEL	3-WAY	5800 PSI	4.13	4.41	.34	3.52	2.79	.53
3KH-34-SAE-4425-**-	3/4"	1 1/16"-12 UNF	STAINLESS	3-WAY	5800 PSI	4.13	4.41	.34	3.52	2.79	.53
4KH-34-NPT-1123-**-	3/4"	3/4" NPT F	STEEL	4-WAY	5800 PSI	4.13	4.41	.34	3.52	2.79	.53
4KH-34-NPT-4425-**-	3/4"	3/4" NPT F	STAINLESS	4-WAY	5800 PSI	4.13	4.41	.34	3.52	2.79	.53
4KH-34-SAE-1123-**-	3/4"	1 1/16"-12 UNF	STEEL	4-WAY	5800 PSI	4.13	4.41	.34	3.52	2.79	.53
4KH-34-SAE-4425-**-	3/4"	1 1/16"-12 UNF	STAINLESS	4-WAY	5800 PSI	4.13	4.41	.34	3.52	2.79	.53

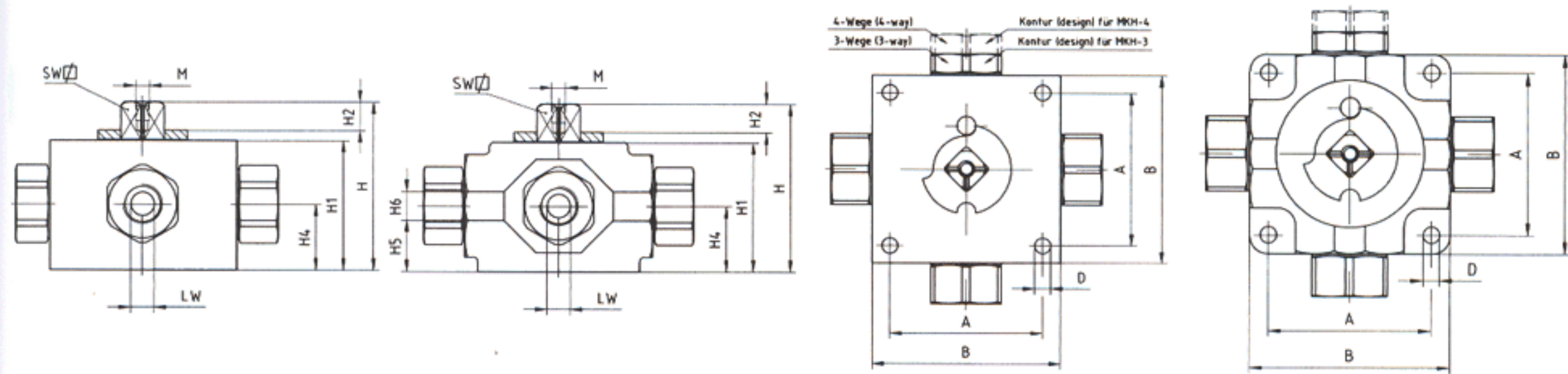
CONSTRUCTION:

LAST 4 DIGITS:	DESCRIPTION:
-1125	CARBON STEEL BLOCK BODY, STEEL BALL AND STEM VITON® "O" RINGS, DELRIN® BALL SEATS
-4425	316-STAINLESS STEEL BODY, BALL AND STEM VITON® "O" RINGS, DELRIN® BALL SEATS

CONTINUED ON NEXT PAGE

** – ADD PORTING PATTERN CHOICE FROM PAGE 70 TO END OF PART NUMBER.

3KH / 4KH SERIES MULTI-WAY BALL VALVES – SIZES 1" – 1 1/2"



PART NUMBER	NOMINAL SIZE	THREAD	MATERIAL	PORTING	WORKING PRESSURE	INCH DIMENSIONS					
						A	B	D	H	H1	H2
3KH-1-NPT-1123-**	1"	1" NPT F	STEEL	3-WAY	5075 PSI	4.13	4.88	.43	3.86	3.11	.53
3KH-1-NPT-4425-**	1"	1" NPT F	STAINLESS	3-WAY	5075 PSI	4.13	4.88	.43	3.86	3.11	.53
3KH-1-SAE-1123-**	1"	15/16"-12 UNF	STEEL	3-WAY	5075 PSI	4.13	4.88	.43	3.86	3.11	.53
3KH-1-SAE-4425-**	1"	15/16"-12 UNF	STAINLESS	3-WAY	5075 PSI	4.13	4.88	.43	3.86	3.11	.53
4KH-1-NPT-1123-**	1"	1" NPT F	STEEL	4-WAY	5075 PSI	4.13	4.88	.43	3.86	3.11	.53
4KH-1-NPT-4425-**	1"	1" NPT F	STAINLESS	4-WAY	5075 PSI	4.13	4.88	.43	3.86	3.11	.53
4KH-1-SAE-1123-**	1"	15/16"-12 UNF	STEEL	4-WAY	5075 PSI	4.13	4.88	.43	3.86	3.11	.53
4KH-1-SAE-4425-**	1"	15/16"-12 UNF	STAINLESS	4-WAY	5075 PSI	4.13	4.88	.43	3.86	3.11	.53
3KH-114-NPT-1123-**	1"	1 1/4" NPT F	STEEL	3-WAY	5075 PSI	4.13	4.88	.43	3.86	3.11	.53
3KH-114-NPT-4425-**	1"	1 1/4" NPT F	STAINLESS	3-WAY	5075 PSI	4.13	4.88	.43	3.86	3.11	.53
3KH-114-SAE-1123-**	1"	15/8"-12 UNF	STEEL	3-WAY	5075 PSI	4.13	4.88	.43	3.86	3.11	.53
3KH-114-SAE-4425-**	1"	15/8"-12 UNF	STAINLESS	3-WAY	5075 PSI	4.13	4.88	.43	3.86	3.11	.53
4KH-114-NPT-1123-**	1"	1 1/4" NPT F	STEEL	4-WAY	5075 PSI	4.13	4.88	.43	3.86	3.11	.53
4KH-114-NPT-4425-**	1"	1 1/4" NPT F	STAINLESS	4-WAY	5075 PSI	4.13	4.88	.43	3.86	3.11	.53
4KH-114-SAE-1123-**	1"	15/8"-12 UNF	STEEL	4-WAY	5075 PSI	4.13	4.88	.43	3.86	3.11	.53
4KH-114-SAE-4425-**	1"	15/8"-12 UNF	STAINLESS	4-WAY	5075 PSI	4.13	4.88	.43	3.86	3.11	.53
3KH-112-NPT-1123-**	1 1/2"	1 1/2" NPT F	STEEL	3-WAY	915 PSI	5.91	7.76	.57	5.08	4.21	.63
3KH-112-NPT-4425-**	1 1/2"	1 1/2" NPT F	STAINLESS	3-WAY	915 PSI	5.91	7.76	.57	5.08	4.21	.63
3KH-112-SAE-1123-**	1 1/2"	1 7/8"-12 UNF	STEEL	3-WAY	915 PSI	5.91	7.76	.57	5.08	4.21	.63
3KH-112-SAE-4425-**	1 1/2"	1 7/8"-12 UNF	STAINLESS	3-WAY	915 PSI	5.91	7.76	.57	5.08	4.21	.63
4KH-112-NPT-1123-**	1 1/2"	1 1/2" NPT F	STEEL	4-WAY	915 PSI	5.91	7.76	.57	5.08	4.21	.63
4KH-112-NPT-4425-**	1 1/2"	1 1/2" NPT F	STAINLESS	4-WAY	915 PSI	5.91	7.76	.57	5.08	4.21	.63
4KH-112-SAE-1123-**	1 1/2"	1 7/8"-12 UNF	STEEL	4-WAY	915 PSI	5.91	7.76	.57	5.08	4.21	.63
4KH-112-SAE-4425-**	1 1/2"	1 7/8"-12 UNF	STAINLESS	4-WAY	915 PSI	5.91	7.76	.57	5.08	4.21	.63

** – ADD PORTING PATTERN CHOICE FROM PAGE 70 TO END OF PART NUMBER

STANDARD & SPECIAL OPERATING PORTINGS for MULTI-WAY BALL VALVES

ORDER NUMBER	BALL VALVE TYPE	OPERATION	OPERATION SYMBOLS	
01	3/2-Way ball valve with L-bore*	positive 0°-90°		
02	3/3-Way ball valve with L-bore* and additional bore	0°-45°-90°		
03	3/2-Way ball valve with T-bore*	positive 0°-90°		
04	3/3-Way ball valve with T-bore and additional bore	0°-45°-90°		
05	3/2-Way ball valve with T-bore and relief bore	0°-90°		
06	4/2-Way ball valve with X-bore*	0°-90°		
07	4/3-Way ball valve with X-bore and additional bore	0°-45°-90°		
08	4/2-Way ball valve with T-bore*	positive 0°-90°		
09	4/3-Way ball valve with T-bore*	positive 0°-90°-180°		
10	4/3-Way ball valve with L-bore and relief bore	0°-45°-90°		
11	3/2-Way ball valve with L-bore and additional L-bore	0°-45°		
12	3/3-Way ball valve with L-bore* and additional relief bore	0°-45°-90°		
13	2/2-Way ball valve	0°-90°		
14	4/3-Way ball valve with T-bore and cross bore	0°-45°-90°		
15	5/4-Way ball valve with L-bore vertical*	positive 0°-90°		
16	4/2-Way ball valve with cross bore	0°-45°		
17	4/3-Way ball valve with X-bore and additional T-bore	0°-45°-90°		
19	3/2-Way ball valve with T-bore	positive 0°-90°		
20	3/3-Way ball valve with T-bore*	positive 0°-90°-180°		

* MIDDLE POSITION FIXING DEVICE OR LOCKING DEVICE RECOMMENDED.