

HEAVY DUTY SERIES CLAMPS – ORDERING EXAMPLE

****AH3 – 33.7 – A**

CLAMP SET MATERIAL	
Polypropylene	A
Aluminum	LA
Polyamide*	MA
Rubber*	RA

* SPECIAL ORDER

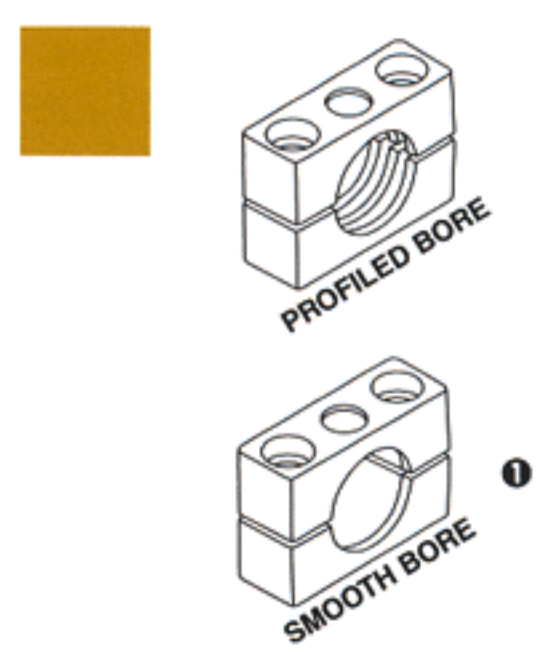
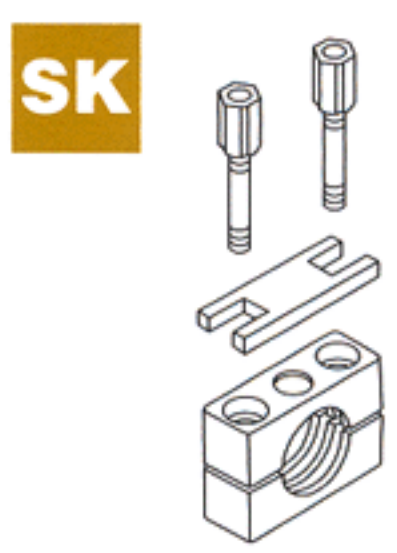
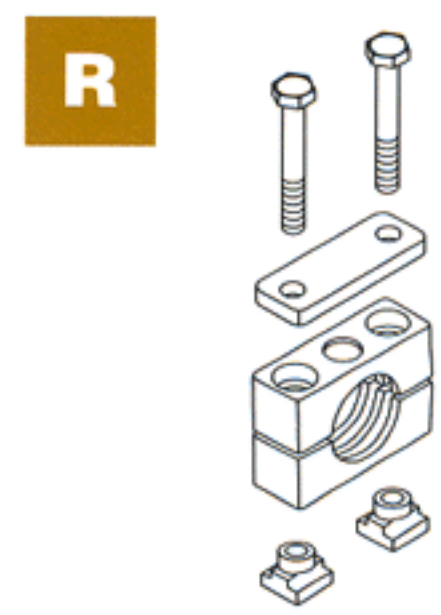
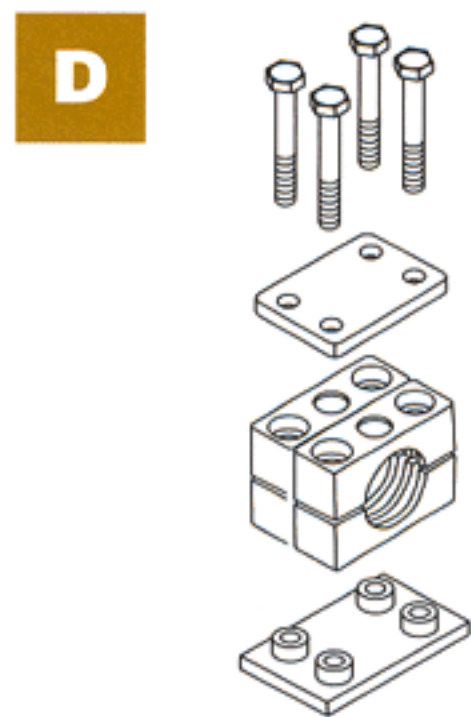
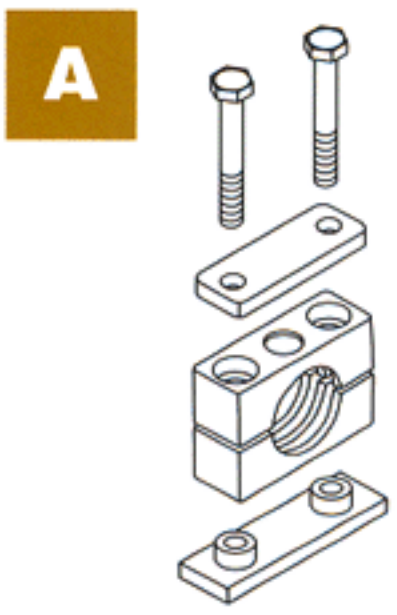
DESCRIPTION	
A	Clamp with Weld Plate & Cover Plate
SK	Clamp with Stacking Kit
R	Clamp with Rail Nuts & Cover Plate
D	Double Clamp with Weld Plate & Cover Plate
■	Clamp Set Only

GROUP SIZE
Refer to Chart on Page 96-97

CLAMP SET BORE
Pipe and tube clamp sizes have a profiled bore. For hose and special applications add "H" to the part number for a smooth bore.

CLAMP SET ID
Refer to Chart on Page 96-97

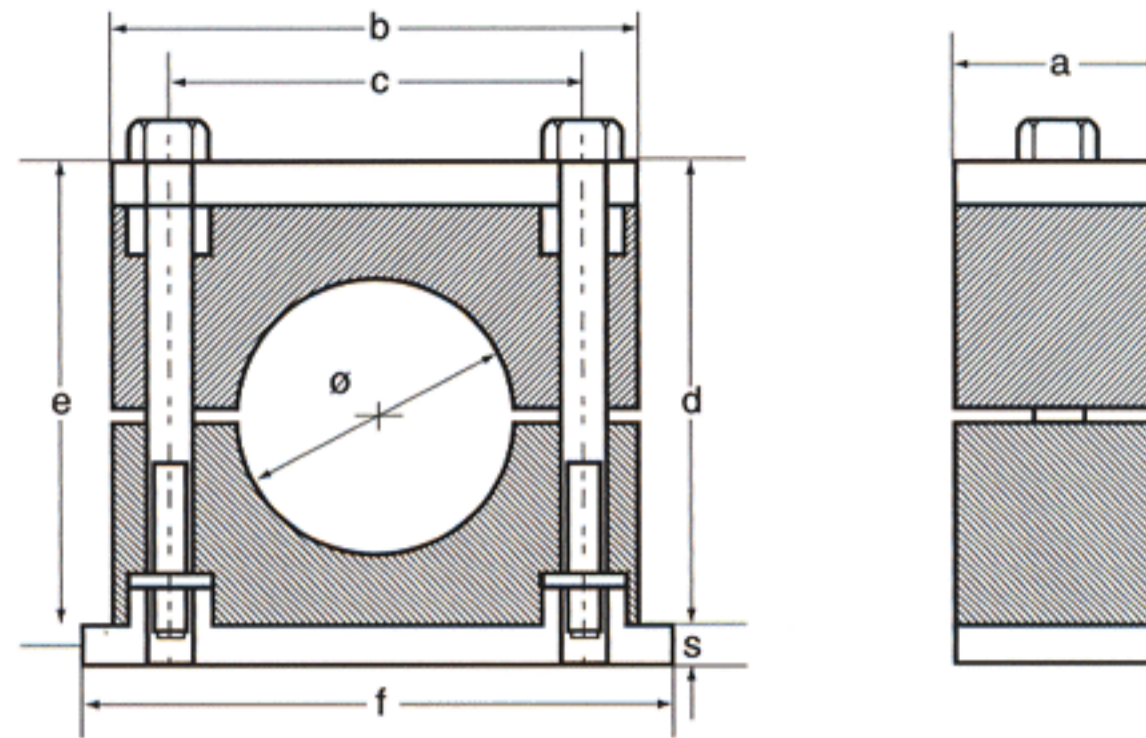
**"S" PREFIX = STAINLESS STEEL HARDWARE. AVAILABLE BY SPECIAL ORDER ONLY.



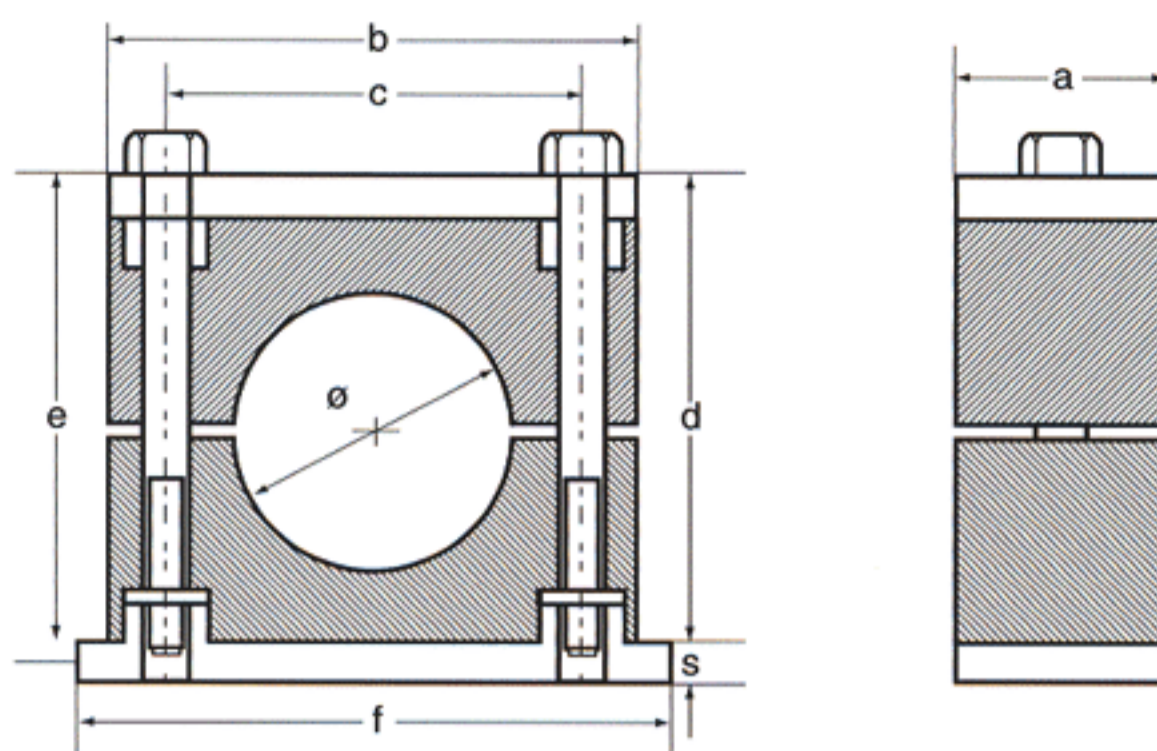
i NOT AVAILABLE IN ALL SIZES. CONTACT PCI FOR AVAILABILITY.

HEAVY DUTY SERIES – SIZES AND DIMENSIONS

GROUP 1-4



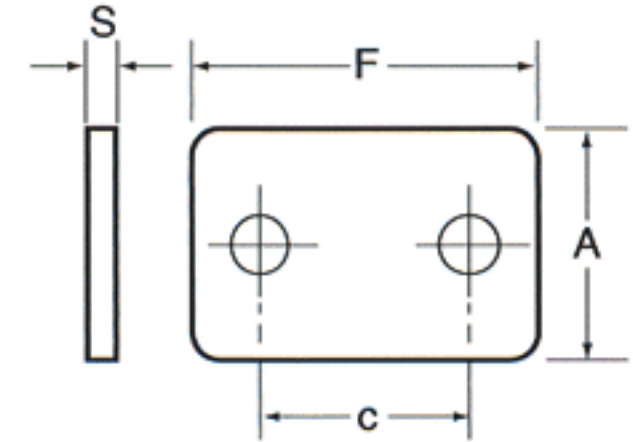
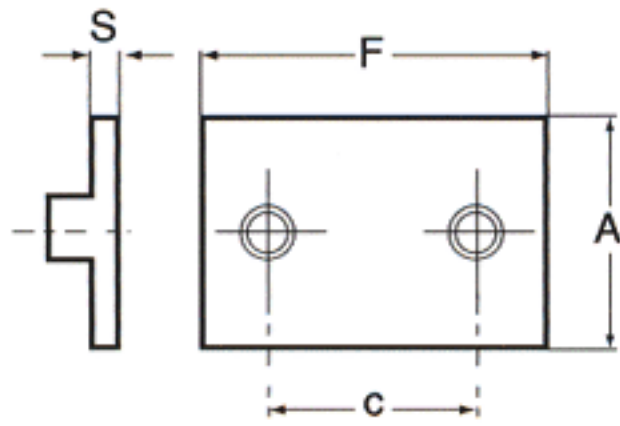
PCI		DIN		DIAMETER			DIMENSIONS						
GROUP	GROUP	Ø mm	Ø Inch	PIPE NOMINAL BORE	TUBE O.D.	PART #	A	B	C	D	F	S	E
1	1	6	0.24			AH1-06-A							
		6.4	0.25		1/4"	AH1-6.4-A							
		8	0.31		5/16"	AH1-08-A							
		9.5	0.37		3/8"	AH1-9.5-A							
		10	0.39	1/8"		AH1-10-A							
		12	0.47			AH1-12-A							
		12.7	0.50		1/2"	AH1-12.7-A	30mm 1.18"	55mm 2.17"	33mm 1.30"	32mm 1.26"	73mm 2.87"	8mm 0.31"	48mm 1.89"
		13.5	0.53	1/4"		AH1-13.5-A							
		14	0.55			AH1-14-A							
		15	0.59			AH1-15-A							
16	0.63		5/8"	AH1-16-A									
17.2	0.68	3/8"		AH1-17.2-A									
18	0.71			AH1-18-A									
2	2	19	0.75		3/4"	AH2-19-A							
		20	0.79			AH2-20-A							
		21.3	0.84	1/2"		AH2-21.3-A							
		22	0.87		7/8"	AH2-22-A							
		25	0.98		1"	AH2-25-A	30mm 1.18"	70mm 2.76"	45mm 1.77"	48mm 1.89"	85mm 3.35"	8mm 0.31"	76mm 2.52"
		25.4	1.00			AH2-25.4-A							
		26.9	1.06	3/4"		AH2-26.9-A							
28	1.10			AH2-28-A									
30	1.18			AH2-30-A									
3	3	30	1.18			AH3-30-A							
		32	1.25		1 1/4"	AH3-32-A							
		33.7	1.33	1"		AH3-33.7-A							
		35	1.38			AH3-35-A	30mm 1.18"	85mm 3.35"	60mm 2.36"	60mm 2.36"	100mm 3.94"	8mm 0.31"	76mm 2.99"
		38	1.50		1 1/2"	AH3-38-A							
		40	1.57			AH3-40-A							
		42	1.65			AH3-42-A							
42.4	1.67	1 1/4"		AH3-42.4-A									
4	4	38	1.50		1 1/2"	AH4-38-A							
		42	1.65			AH4-42-A							
		42.4	1.67	1 1/4"		AH4-42.4-A							
		44.5	1.75		1 3/4"	AH4-44.5-A							
		48.3	1.90	1 1/2"		AH4-48.3-A							
		50	1.97			AH4-50-A	45mm 1.77"	120mm 4.72"	90mm 3.54"	90mm 3.54"	140mm 5.51"	10mm 0.39"	110mm 4.33"
		50.8	2.00		2"	AH4-50.8-A							
		55	2.17			AH4-55-A							
		57	2.24		2 1/4"	AH4-57-A							
		60.3	2.37	2"		AH4-60.3-A							
		63.5	2.50		2 1/2"	AH4-63.5-A							
65	2.56			AH4-65-A									
70	2.76		2 3/4"	AH4-70-A									



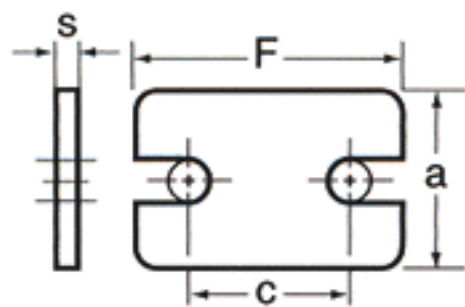
PCI		DIN		DIAMETER			DIMENSIONS						
GROUP	GROUP	Ø mm	Ø Inch	PIPE NOMINAL BORE	TUBE O.D.	PART #	A	B	C	D	F	S	E
5	5	65	2.56			AH5-65-A	60mm 2.38"	152mm 5.98"	122mm 4.80"	120mm 4.72"	180mm 7.09"	10mm 0.39"	140mm 5.51"
		70	2.76		2 3/4"	AH5-70-A							
		73	2.87	2 1/2"		AH5-73-A							
		75	2.95			AH5-75-A							
		76.1	3.00	2 1/2"	3"	AH5-76.1-A							
		80	3.15			AH5-80-A							
		82.5	3.25		3 1/4"	AH5-82.5-A							
		88.9	3.50	3"	3 1/2"	AH5-88.9-A							
6	6	88.9	3.50	3"	3 1/2"	AH6-88.9-A	80mm 3.15"	205mm 8.07"	168mm 6.61"	170mm 6.69"	225mm 8.86"	15mm 0.59"	200mm 7.87"
		100	3.94			AH6-100-A							
		101.6	4.00	3 1/2"	4"	AH6-101.6-A							
		108	4.25		4 1/4"	AH6-108-A							
		114.3	4.50	4"	4 1/2"	AH6-114.3-A							
		127	5.00	4 1/2"	5"	AH6-127-A							
133	5.25		5 1/4"	AH6-133-A									
7	7	133	5.25		5 1/4"	AH7-133-A	90mm 3.54"	250mm 9.84"	205mm 8.07"	200mm 7.87"	270mm 10.63"	15mm 0.59"	230mm 9.06"
		139.7	5.50	5"	5 1/2"	AH7-139.7-A							
		152.4	6.00	5 1/2"	6"	AH7-152.4-A							
		165	6.50			AH7-165-A							
		168.3	6.63	6"		AH7-168.3-A							
8	8	168.3	6.63	6"		AH8-168.3-A	120mm 4.72"	320mm 12.60"	265mm 10.43"	270mm 10.63"	340mm 13.39"	25mm 0.98"	320mm 12.60"
		177.8	7.00			AH8-177.8-A							
		193.7	7.63		7 5/8"	AH8-193.7-A							
		203	8.00		8"	AH8-203-A							
		216	8.50			AH8-216-A							
		219.1	8.63	8"		AH8-219.1-A							
9*	9*	219.1	8.63	8"		AH9-219.1-A	160mm 6.30"	470mm 18.50"	395mm 15.55"	410mm 16.14"	520mm 20.47"	30mm 1.18"	470mm 18.50"
		244.5	9.63			AH9-244.5-A							
		273	10.75	10"		AH9-273-A							
		323.9	12.75	12"		AH9-323.9-A							

* SPECIAL ORDER

HEAVY DUTY SERIES – COMPONENTS

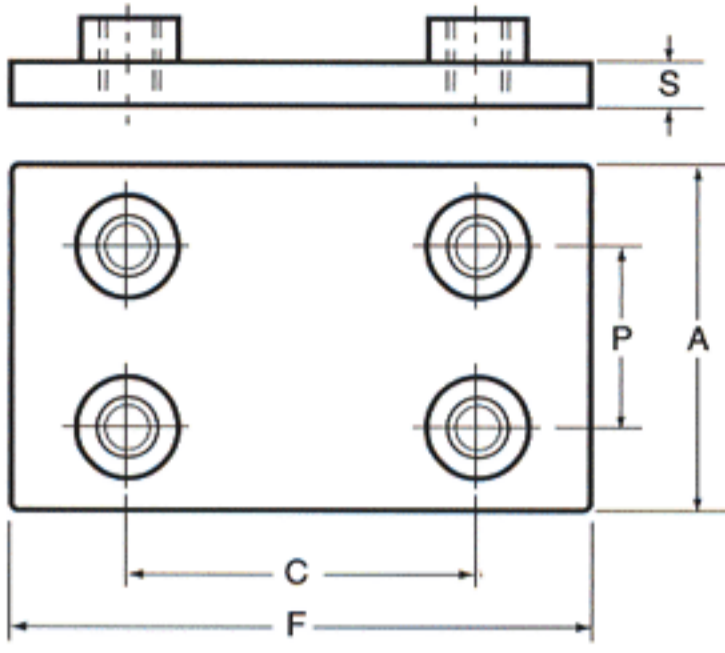


GROUP	PART NUMBER	WELD PLATE DIMENSIONS				PART NUMBER	COVER PLATE DIMENSIONS			
		A	F	C	S		A	F	C	S
1	WPH1	30mm 1.18"	75mm 2.95"	3mm 1.30"	8mm 0.31"	CPH1	30mm 1.18"	55mm 2.17"	33mm 1.30"	8mm 0.31"
2	WPH2	30mm 1.18"	87mm 3.43"	45mm 1.77"	8mm 0.31"	CPH2	30mm 1.18"	70mm 2.76"	45mm 1.77"	8mm 0.31"
3	WPH3	30mm 1.18"	102mm 4.02"	60mm 2.36"	8mm 0.31"	CPH3	30mm 1.18"	85mm 3.35"	60mm 2.36"	8mm 0.31"
4	WPH4	45mm 1.77"	140mm 5.51"	90mm 3.54"	10mm 0.39"	CPH4	45mm 1.77"	120mm 4.72"	90mm 3.54"	10mm 0.39"
5	WPH5	60mm 2.36"	180mm 7.09"	122mm 4.80"	10mm 0.39"	CPH5	60mm 2.36"	152mm 5.98"	122mm 4.80"	10mm 0.39"
6	WPH6	80mm 3.15"	225mm 8.86"	168mm 6.61"	15mm 0.59"	CPH6	80mm 3.15"	205mm 8.07"	168mm 6.61"	15mm 0.59"
7	WPH7	90mm 3.54"	270mm 10.63"	205mm 8.07"	15mm 0.59"	CPH7	90mm 3.54"	250mm 9.84"	205mm 8.07"	15mm 0.59"
8	WPH8	120mm 4.72"	340mm 13.39"	265mm 10.43"	25mm 0.98"	CPH8	120mm 4.72"	320mm 12.60"	265mm 10.43"	25mm 0.98"
9	WPH9	160mm 6.30"	520mm 20.47"	395mm 15.55"	30mm 1.18"	CPH9	160mm 6.30"	470mm 18.50"	395mm 15.55"	30mm 1.18"

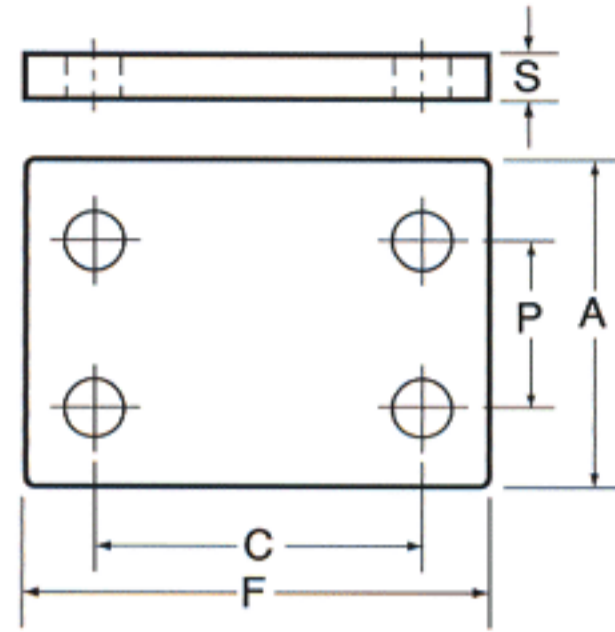


GROUP	PART NUMBER	SAFETY PLATE DIMENSIONS			
		A	F	C	S
1	SPH1	30mm 1.18"	55mm 2.17"	33mm 1.30"	8mm 0.31"
2	SPH2	30mm 1.18"	70mm 2.76"	45mm 1.77"	8mm 0.31"
3	SPH3	30mm 1.18"	85mm 3.35"	60mm 2.36"	8mm 0.31"
4	SPH4	45mm 1.77"	120mm 4.72"	90mm 3.54"	10mm 0.39"
5	SPH5	60mm 2.36"	152mm 5.98"	122mm 4.80"	10mm 0.39"

HEAVY DUTY SERIES – COMPONENTS



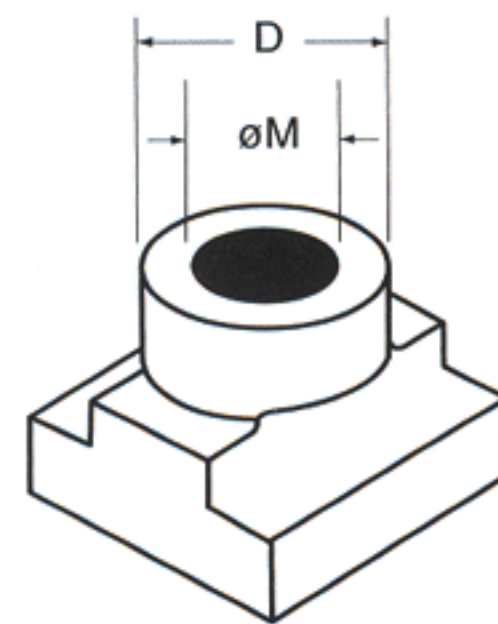
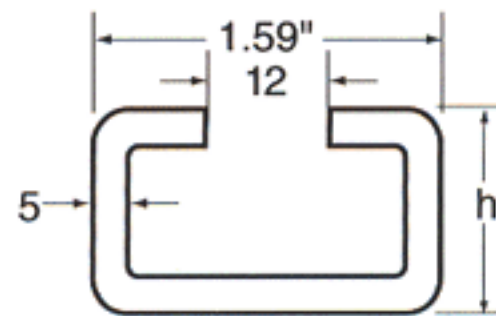
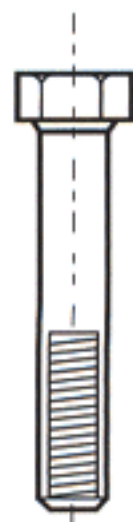
DOUBLE WELD PLATE



DOUBLE COVER PLATE

GROUP	PART NUMBER	DIMENSIONS					PART NUMBER	DIMENSIONS				
		A	F	S	C	P		A	F	C	S	P
1	WPHD1	60mm 2.36"	74mm 2.91"	8mm 0.31"	33mm 1.30"	31mm 1.22"	CPHD1	60mm 2.36"	56mm 2.20"	8mm 0.31"	33mm 1.30"	31mm 1.22"
2	WPHD2	60mm 2.36"	85mm 3.39"	8mm 0.31"	45mm 1.77"	31mm 1.22"	CPHD2	60mm 2.36"	70mm 2.76"	8mm 0.31"	45mm 1.77"	31mm 1.22"
3	WPHD3	60mm 2.36"	100mm 3.94"	8mm 0.31"	60mm 2.36"	31mm 1.22"	CPHD3	60mm 2.36"	85mm 3.35"	8mm 0.31"	60mm 2.36"	31mm 1.22"
4	WPHD4	90mm 3.54"	140mm 5.51"	10mm 0.39"	90mm 3.54"	46mm 1.81"	CPHD4	90mm 3.54"	116mm 4.57"	10mm 0.39"	90mm 3.54"	46mm 1.81"
5	WPHD5	120mm 4.72"	160mm 7.09"	10mm 0.39"	122mm 4.80"	61mm 2.40"	CPHD5	120mm 4.72"	153mm 6.02"	10mm 0.39"	122mm 4.80"	61mm 2.40"

HEAVY DUTY SERIES – COMPONENTS



GROUP	HEX HEAD BOLT	STACKING BOLT	MOUNTING RAIL		RAIL NUT	
	PART NUMBER SIZE	PART NUMBER SIZE	HEIGHT H	PART NUMBER LENGTH L	PART NUMBER M	PART NUMBER D
1	HBH1 3/8"-16 x 13/4"	SBH1 3/8"-16 x 1.02"	22 0.87	MRH-1 1M 3.28'	RNH1/3 3/8"-16	18 0.71
2	HBH2 3/8"-16 x 21/4"	SBH2 3/8"-16 x 1.61"	22 0.87	MRH-2 2M 6.56'	RNH1/3 3/8"-16	18 0.71
3	HBH3 3/8"-16 x 23/4"	SBH3 3/8"-16 x 2.05"			RNH1/3 3/8"-16	18 0.71
4	HBH4 7/16"-14 x 4"	SBH4 7/16"-14 x 3.27"			RNH4 7/16"-14	20 0.79
5	HBH5 5/8"-11 x 51/4"	SBH5 5/8"-11 x 4.33"				
6	HBH6 3/4"-10 x 71/2"					
7	HBH7 7/8"-9 x 81/2"					
8	HBH8 11/8"-7 x 12"					
9	HBH9 11/8"-7 x 171/2"					