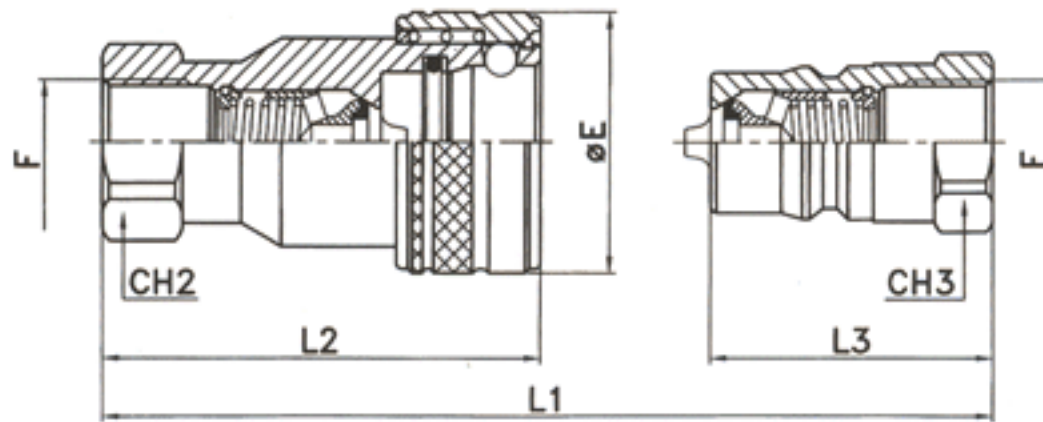


HNV SERIES "ISO B" INDUSTRIAL INTERCHANGE QUICK COUPLINGS



DIRECT INTERCHANGE TO:	
NAME	SERIES
PARKER	60
AEROQUIP	FD 45
FASTER	HN
SAFEWAY	S 10
SNAP-TITE	72

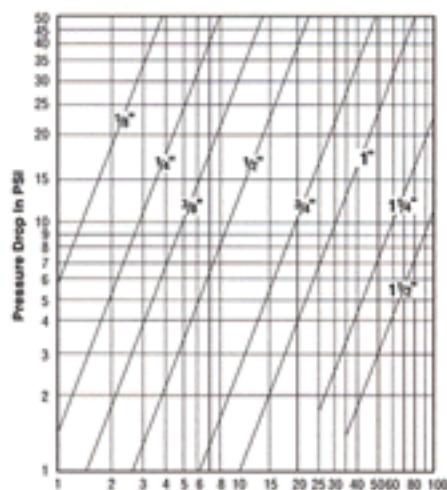
COUPLER PART NUMBER	PLUG PART NUMBER	NOMINAL SIZE	MATERIAL	WORKING PRESSURE	THREAD F	CH2	CH3	ØE	L1	L2	L3
HNV-18-F	HNV-18-M	1/8"	STEEL	5000 PSI	1/8" NPT F	.67	.55	.91	2.44	1.97	1.22
HNV-18-F-5	HNV-18-M-5		BRASS	3000 PSI							
HNV-18-F-2	HNV-18-M-2		303 SS	5000 PSI							
HNV-18-F-3	HNV-18-M-3		316 SS	5000 PSI							
HNV-14-F	HNV-14-M	1/4"	STEEL	5000 PSI	1/4" NPT F	.75	.75	1.10	2.99	2.36	1.49
HNV-14-F-5	HNV-14-M-5		BRASS	2700 PSI							
HNV-14-F-2	HNV-14-M-2		303 SS	3700 PSI							
HNV-14-F-3	HNV-14-M-3		316 SS	3700 PSI							
HNV-38-F	HNV-38-M	3/8"	STEEL	4500 PSI	3/8" NPT F	.95	.87	1.38	3.39	2.66	1.69
HNV-38-F-5	HNV-38-M-5		BRASS	2200 PSI							
HNV-38-F-2	HNV-38-M-2		303 SS	3700 PSI							
HNV-38-F-3	HNV-38-M-3		316 SS	3700 PSI							
HNV-12-F	HNV-12-M	1/2"	STEEL	3750 PSI	1/2" NPT F	1.18	1.06	1.73	3.82	2.99	1.91
HNV-12-F-5	HNV-12-M-5		BRASS	2250 PSI							
HNV-12-F-2	HNV-12-M-2		303 SS	4250 PSI							
HNV-12-F-3	HNV-12-M-3		316 SS	4250 PSI							
HNV-34-F	HNV-34-M	3/4"	STEEL	3000 PSI	3/4" NPT F	1.42	1.34	2.05	4.49	3.60	2.24
HNV-34-F-5	HNV-34-M-5		BRASS	2000 PSI							
HNV-34-F-2	HNV-34-M-2		303 SS	3050 PSI							
HNV-34-F-3	HNV-34-M-3		316 SS	3050 PSI							
HNV-1-F	HNV-1-M	1"	STEEL	3000 PSI	1" NPT F	1.61	1.61	2.36	5.16	4.17	2.58
HNV-1-F-5	HNV-1-M-5		BRASS	1500 PSI							
HNV-1-F-2	HNV-1-M-2		303 SS	2500 PSI							
HNV-1-F-3	HNV-1-M-3		316 SS	2500 PSI							
HNV-114-F	HNV-114-M	1 1/4"	STEEL	1750 PSI	1 1/4" NPT F	2.38	2.38	2.60	7.87	4.50	4.25
HNV-114-F-5	HNV-114-M-5		BRASS	1200 PSI							
HNV-114-F-2	HNV-114-M-2		303 SS	1700 PSI							
HNV-114-F-3	HNV-114-M-3		316 SS	1700 PSI							
HNV-112-F	HNV-112-M	1 1/2"	STEEL	1750 PSI	1 1/2" NPT F	2.63	2.63	3.00	7.87	4.81	4.76
HNV-112-F-5	HNV-112-M-5		BRASS	1500 PSI							
HNV-112-F-2	HNV-112-M-2		303 SS	2200 PSI							
HNV-112-F-3	HNV-112-M-3		316 SS	2200 PSI							
HNV-2-F	HNV-2-M	2 1/2"	STEEL	1500 PSI	2" NPT F	3.75	3.75	4.11	8.66	5.55	5.55
HNV-2-F-5	HNV-2-M-5		BRASS	700 PSI							
HNV-2-F-2	HNV-2-M-2		303 SS	1500 PSI							
HNV-2-F-3	HNV-2-M-3		316 SS	1500 PSI							
HNV-212-F	HNV-212-M	2 1/2"	STEEL	1500 PSI	2 1/2" NPT F	3.75	3.75	4.11	8.66	6.14	6.14
HNV-212-F-5	HNV-212-M-5		BRASS	700 PSI							
HNV-212-F-2	HNV-212-M-2		303 SS	1500 PSI							
HNV-212-F-3	HNV-212-M-3		316 SS	1500 PSI							
HNV-3-F	HNV-3-M	2 1/2"	STEEL	1500 PSI	3" NPT F	4.00	4.00	4.11	8.66	7.00	7.00
HNV-3-F-5	HNV-3-M-5		BRASS	700 PSI							
HNV-3-F-2	HNV-3-M-2		303 SS	1500 PSI							
HNV-3-F-3	HNV-3-M-3		316 SS	1500 PSI							

NOTE: SAE AND BSP THREADS AVAILABLE - CONTACT FACTORY FOR DETAILS

TECHNICAL DATA

NOMINAL SIZE	MATERIAL	RATED FLOW	MINIMUM BURST-COUPLER	MINIMUM BURST-PLUG	MINIMUM BURST CONNECTED	FLUID SPILLAGE
1/8"	STEEL	2.0 GPM	25,300 PSI	23,200 PSI	23,200 PSI	0.5 cc
	BRASS		15,500 PSI	12,200 PSI	14,000 PSI	
	STAINLESS		29,300 PSI	18,000 PSI	19,000 PSI	
1/4"	STEEL	4.2 GPM	27,260 PSI	21,460 PSI	20,880 PSI	1.0 cc
	BRASS		14,500 PSI	11,890 PSI	13,630 PSI	
	STAINLESS		19,575 PSI	17,400 PSI	17,400 PSI	
3/8"	STEEL	8.0 GPM	27,550 PSI	18,850 PSI	19,430 PSI	2.4 cc
	BRASS		16,820 PSI	11,600 PSI	14,210 PSI	
	STAINLESS		17,400 PSI	15,950 PSI	16,675 PSI	
1/2"	STEEL	11.0 GPM	23,780 PSI	15,370 PSI	15,370 PSI	3.9 cc
	BRASS		13,195 PSI	11,890 PSI	13,920 PSI	
	STAINLESS		16,675 PSI	14,500 PSI	14,210 PSI	
3/4"	STEEL	24.0 GPM	19,720 PSI	15,950 PSI	15,660 PSI	11.0 cc
	BRASS		10,368 PSI	8,700 PSI	12,470 PSI	
	STAINLESS		15,660 PSI	14,500 PSI	15,225 PSI	
1"	STEEL	25.0 GPM	19,720 PSI	15,950 PSI	15,660 PSI	11.0 cc
	BRASS		10,367 PSI	8,700 PSI	12,740 PSI	
	STAINLESS		15,660 PSI	14,500 PSI	15,225 PSI	
1 1/4"	STEEL	30.0 GPM	14,500 PSI	13,050 PSI	13,050 PSI	19.0 cc
	BRASS		10,510 PSI	11,092 PSI	10,510 PSI	
	STAINLESS		12,325 PSI	11,600 PSI	11,600 PSI	
1 1/2"	STEEL	135.0 GPM	7,100 PSI	6,815 PSI	6,815 PSI	95.0 cc
	BRASS		6,525 PSI	5,800 PSI	6,525 PSI	
	STAINLESS		6,815 PSI	6,525 PSI	6,815 PSI	
2 1/2"	STEEL	250.0 GPM	6,000 PSI	5,800 PSI	5,800 PSI	170.0 cc
	BRASS		5,075 PSI	4,495 PSI	5,075 PSI	
	STAINLESS		5,800 PSI	5,365 PSI	5,800 PSI	

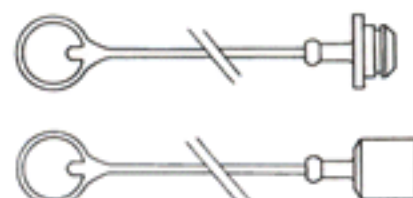
PERFORMANCE:



Gallons per Minute Flow (Test fluid: Hydraulic Oil at 100°F) CONTACT PCI FOR SIZES ABOVE 1 1/2"

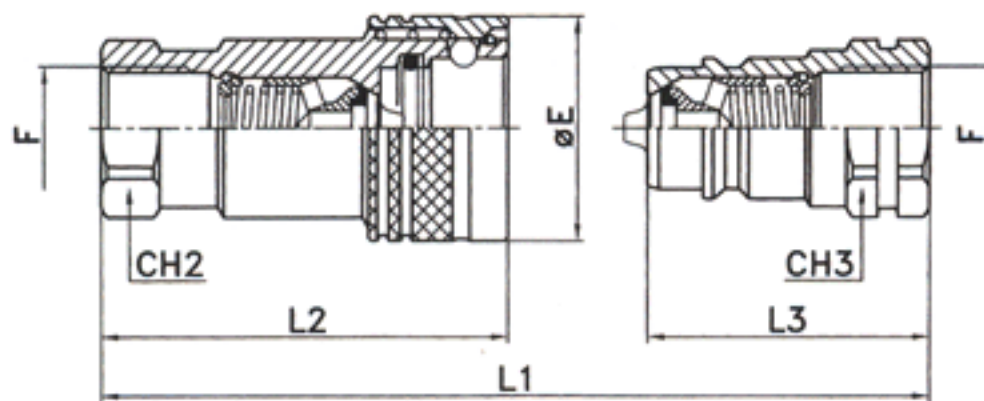
ACCESSORIES – DUST PROTECTORS

NOMINAL SIZE	DUST PROTECTOR FOR PLUG	DUST PROTECTOR FOR COUPLER	COLOR	MATERIAL
1/8"	TFH-18	TMH-18	BLUE	SANTOPRENE
1/4"	TFH-14	TMH-14	BLUE	SANTOPRENE
3/8"	TFH-38	TMH-38	BLUE	SANTOPRENE
1/2"	TFH-12	TMH-12	BLUE	SANTOPRENE
3/4"	TFH-34	TMH-34	BLUE	SANTOPRENE
1"	TFH-1	TMH-1	BLUE	SANTOPRENE
1 1/4"	TFH-114	TMH-114	BLUE	SANTOPRENE
1 1/2"	TFH-112-A	TMH-112-A	—	ALUMINUM



PCI 1-800-322-9527

ANV SERIES "ISO A" INTERCHANGE QUICK COUPLINGS



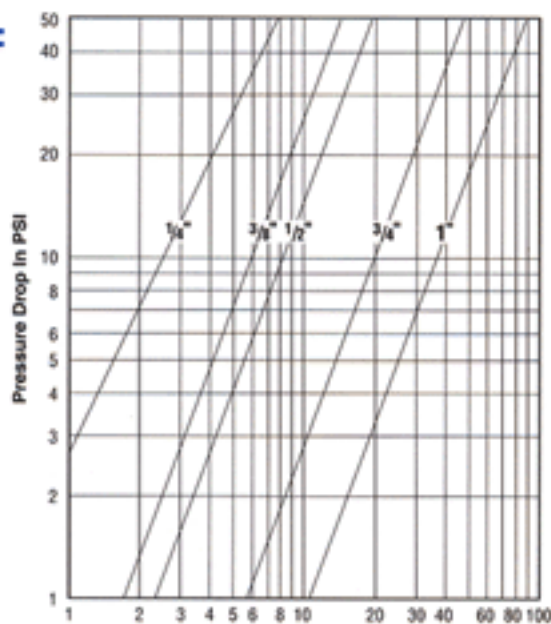
DIRECT INTERCHANGE TO:	
NAME	SERIES
PARKER	66
AEROQUIP	FD 56
FASTER	AN
SAFEWAY	S 56
SNAP-TITE	61

COUPLER PART NUMBER	PLUG PART NUMBER	NOMINAL SIZE	MATERIAL	WORKING PRESSURE	THREAD F	CH2	CH3	OE	L1	L2	L3
ANV-14-F	ANV-14-M				1/4" NPT F	.75	.75	1.02	2.76	1.93	1.38
ANV-14-BSP-F	ANV-14-BSP-M	1/4"	STEEL	5500 PSI	1/4" BSPP	.75	.75	1.02	2.76	1.93	1.38
ANV-14-SAE-F	ANV-14-SAE-M				7/16"-20 UNF	.75	.75	1.10	2.83	1.89	1.41
ANV-38-F	ANV-38-M				3/8" NPT F	.87	.87	1.18	3.35	2.38	1.67
ANV-38-BSP-F	ANV-38-BSP-M	3/8"	STEEL	5000 PSI	3/8" BSPP	.87	.87	1.18	3.35	2.38	1.67
ANV-38-SAE-F	ANV-38-SAE-M				9/16"-18 UNF	.88	.88	1.23	3.41	2.23	1.70
NV-12-F	NV-12-M				1/2" NPT F	1.06	1.06	1.50	3.78	2.76	1.89
NV-12-BSP-F	NV-12-BSP-M	1/2"	STEEL	3625 PSI	1/2" BSPP	1.06	1.06	1.50	3.78	2.76	1.89
NV-12-SAE-F	NV-12-SAE-M				3/4"-16 UNF	1.06	1.06	1.48	3.75	2.63	1.95
ANV-34-F	ANV-34-M				3/4" NPT F	1.34	1.34	1.77	4.49	3.33	2.24
ANV-34-BSP-F	ANV-34-BSP-M	3/4"	STEEL	3625 PSI	3/4" BSPP	1.34	1.34	1.77	4.49	3.33	2.24
ANV-34-SAE-F	ANV-34-SAE-M				1 1/16"-12 UNF	1.31	1.31	1.86	4.56	3.23	2.43
ANV-1-F	ANV-1-M				1" NPT F	1.61	1.77	2.05	5.16	3.90	2.58
ANV-1-BSP-F	ANV-1-BSP-M	1"	STEEL	3625 PSI	1" BSPP	1.61	1.77	2.05	5.16	3.90	2.58
ANV-1-SAE-F	ANV-1-SAE-M				1 5/16"-12 UNF	1.63	1.63	2.10	5.16	3.88	2.87
ANV-114-F	ANV-114-M				1 1/4" NPT F	1.97	1.97	2.76	5.91	4.61	2.95
ANV-114-BSP-F	ANV-114-BSP-M	1 1/4"	STEEL	3625 PSI	1 1/4" BSPP	1.97	1.97	2.76	5.91	4.61	2.95
ANV-112-F	ANV-112-M				1 1/2" NPT F	2.36	2.36	3.28	6.57	5.24	3.30
ANV-112-BSP-F	ANV-112-BSP-M	1 1/2"	STEEL	2900 PSI	1 1/2" BSPP	2.36	2.36	3.28	6.57	5.24	3.30
ANV-2-F	ANV-2-M				2" NPT F	2.95	2.95	3.90	8.50	6.65	4.25
ANV-2-BSP-F	ANV-2-BSP-M	2"	STEEL	2755 PSI	2" BSPP	2.95	2.95	3.90	8.50	6.65	4.25

TECHNICAL DATA

NOMINAL SIZE	MATERIAL	RATED FLOW	MINIMUM BURST-COUPLER	MINIMUM BURST-PLUG	MINIMUM BURST CONNECTED	FLUID SPILLAGE
1/4"	STEEL	2.5 GPM	27,260 PSI	20,155 PSI	18,850 PSI	0.5 cc
3/8"	STEEL	6.6 GPM	22,185 PSI	18,125 PSI	17,400 PSI	1.9 cc
1/2"	STEEL	11.3 GPM	18,850 PSI	15,370 PSI	16,820 PSI	2.7 cc
3/4"	STEEL	24.5 GPM	18,705 PSI	17,400 PSI	15,080 PSI	9.3 cc
1"	STEEL	29.7 GPM	16,820 PSI	14,500 PSI	14,500 PSI	16.0 cc
1 1/4"	STEEL	51.6 GPM	14,500 PSI	14,790 PSI	14,500 PSI	30.0 cc
1 1/2"	STEEL	88.4 GPM	11,600 PSI	12,035 PSI	11,600 PSI	54.0 cc
2"	STEEL	141.0 GPM	14,500 PSI	11,020 PSI	12,325 PSI	120.0 cc

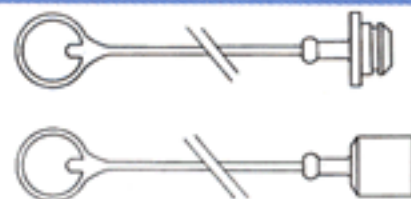
PERFORMANCE:



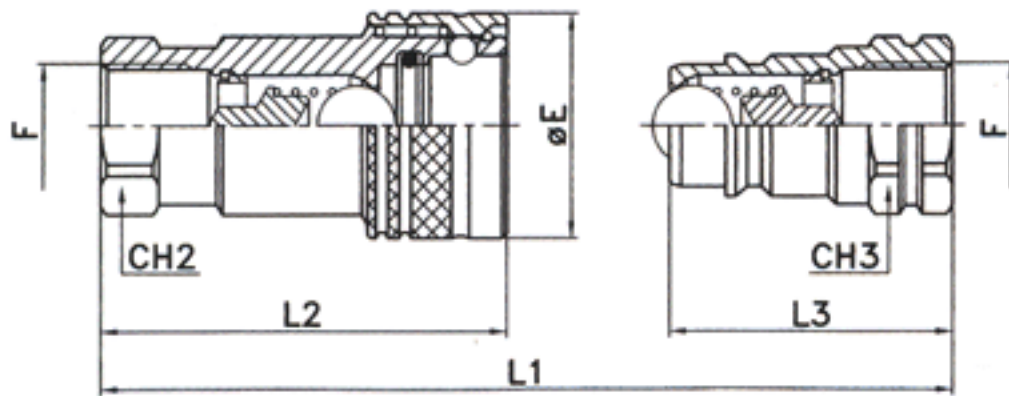
Gallons per Minute Flow (Test fluid: Hydraulic Oil at 100°F) CONTACT PCI FOR SIZES ABOVE 1"

ACCESSORIES – DUST PROTECTORS

NOMINAL SIZE	DUST PROTECTOR FOR PLUG	DUST PROTECTOR FOR COUPLER	COLOR	MATERIAL
1/4"	TFA-14	TMA-14	RED	POLYETHYLENE
3/8"	TFA-38	TMA-38	RED	POLYETHYLENE
1/2"	TF-12-R	TM-12-R	RED	PVC
3/4"	TFA-34	TMA-34	RED	POLYETHYLENE
1"	TFA-1	TMA-1	RED	POLYETHYLENE



NS SERIES AGRICULTURAL INTERCHANGE QUICK COUPLINGS – BALL TYPE



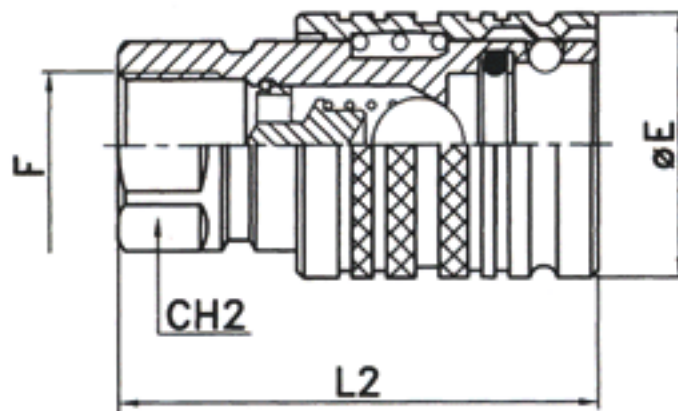
DIRECT INTERCHANGE TO:	
NAME	SERIES
PARKER	4000
FASTER	NS
SAFEWAY	S 20/S 40
SNAP-TITE	21/61

COUPLER PART NUMBER	PLUG PART NUMBER	NOMINAL SIZE	MATERIAL	WORKING PRESSURE	THREAD F	CH2	CH3	OE	L1	L2	L3
● NS-14-F	NS-14-M	1/4"	STEEL	5075 PSI	1/4" NPT F	.75	.75	1.06	2.99	2.19	1.50
NS-14-BSP-F	NS-14-BSP-M				1/4" BSPP	.75	.75	1.06	2.99	2.19	1.50
NS-38-F	NS-38-M	3/8"	STEEL	3625 PSI	3/8" NPT F	.94	.94	1.34	3.35	2.48	1.67
NS-38-BSP-F	NS-38-BSP-M				3/8" BSPP	.94	.94	1.34	3.35	2.48	1.67
NS-12-F	2NS-12-M	1/2"	STEEL	3045 PSI	1/2" NPT F	1.06	1.06	1.50	3.78	2.76	1.89
NS-12-BSP-F	2NS-12-BSP-M				1/2" BSPP	1.06	1.06	1.50	3.78	2.76	1.89
PS-12-F	2NS-12-M				1/2" NPT F	1.06	1.06	1.50	3.78	2.76	1.89
PS-12-BSP-F	2NS-12-BSP-M				1/2" BSPP	1.06	1.06	1.50	3.78	2.76	1.89
NSP-34-F	NSP-34-M	3/4"	STEEL	3625 PSI	3/4" NPT F	1.34	1.34	1.85	4.49	3.39	2.24
NSP-34-BSP-F	NSP-34-BSP-M				3/4" BSPP	1.34	1.34	1.85	4.49	3.39	2.24
* NS-34-F	* NS-34-M	3/4"	STEEL	3625 PSI	3/4" NPT F	1.61	1.61	2.05	5.20	3.90	2.58
⊙ NV-1-F	NV-1-M	1"	STEEL	3260 PSI	1" NPT F	1.61	1.61	2.05	5.20	3.90	2.58
NV-1-BSP-F	NV-1-BSP-M				1" BSPP	1.61	1.61	2.05	5.20	3.90	2.58

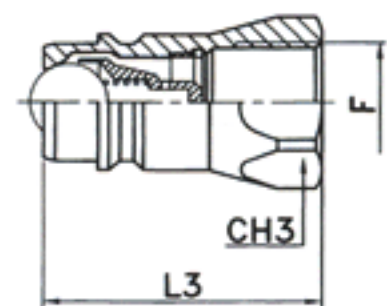
*INTERCHANGE TO FASTER U.S.A.

● 1/4" COUPLER HAS A SNAP RING GROOVE FOR SNOW PLOW LIFT ATTACHMENTS.

⊙ POPPET VALVE TYPE.



PS
Double Acting Sleeve

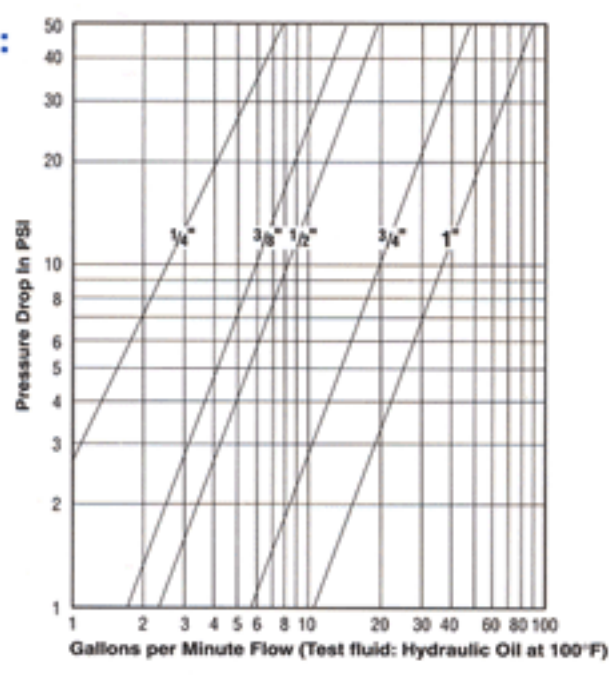


2NS
Connectable Under Pressure Plug

TECHNICAL DATA

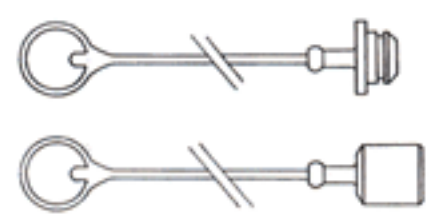
NOMINAL SIZE	MATERIAL	RATED FLOW	MINIMUM BURST-COUPLER	MINIMUM BURST-PLUG	MINIMUM BURST CONNECTED	FLUID SPILLAGE
1/4"	STEEL	2.7 GPM	22,330 PSI	17,545 PSI	22,765 PSI	1.0 cc
3/8"	STEEL	5.5 GPM	14,140 PSI	14,780 PSI	22,330 PSI	2.4 cc
1/2"	STEEL	7.9 GPM	12,325 PSI	12,200 PSI	18,560 PSI	2.7 cc
3/4"	STEEL	15.3 GPM	16,820 PSI	14,355 PSI	19,430 PSI	4.6 cc
1"	STEEL	28.0 GPM	14,500 PSI	17,255 PSI	14,790 PSI	13.0 cc

PERFORMANCE:

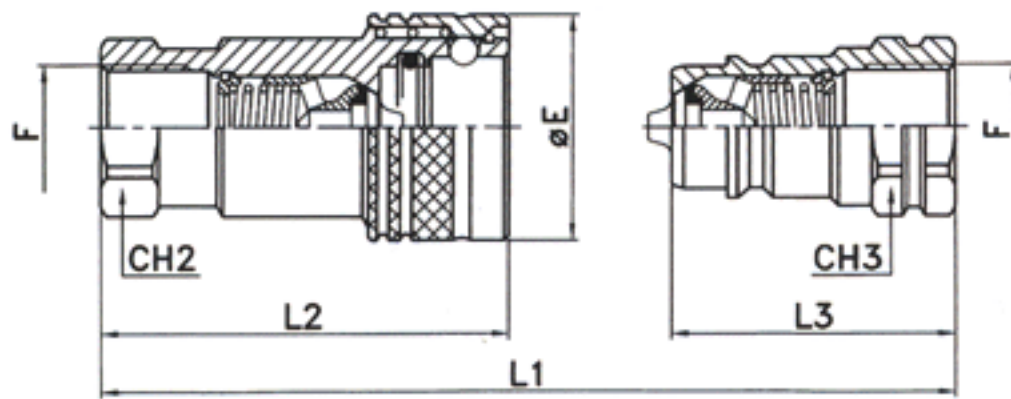


ACCESSORIES – DUST PROTECTORS

NOMINAL SIZE	DUST PROTECTOR FOR PLUG	DUST PROTECTOR FOR COUPLER	COLOR	MATERIAL
1/4"	TF-14-R	TM-14-R	RED	PVC
3/8"	TF-38-R	TM-38-R	RED	PVC
1/2"	TF-12-R	TM-12-R	RED	PVC
1/2"	TF-12-Y	TM-12-Y	YELLOW	PVC
1/2"	TF-12-B	TM-12-B	BLUE	PVC
1/2"	TF-12-G	TM-12-G	GREEN	PVC
1/2"	TF-12-BK	TM-12-BK	BLACK	PVC



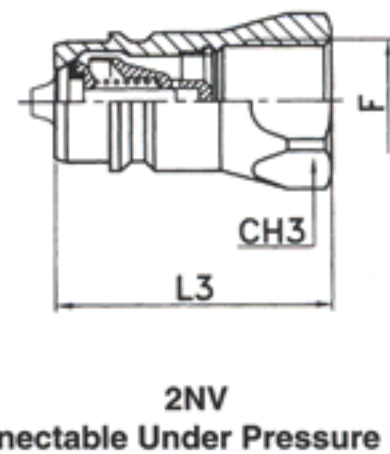
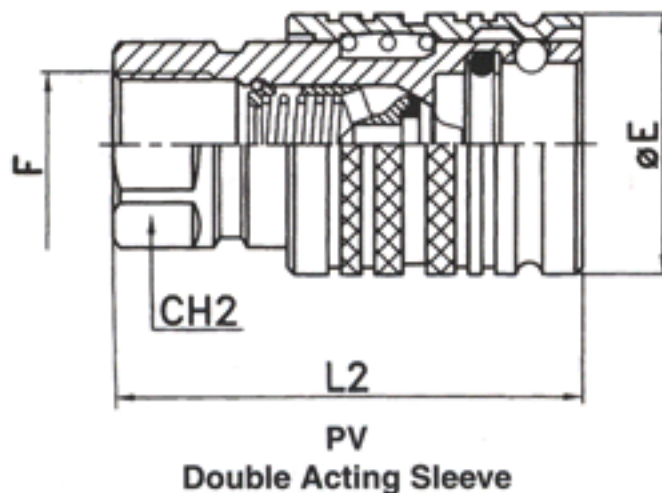
NV SERIES AGRICULTURAL INTERCHANGE COUPLINGS – POPPET TYPE



DIRECT INTERCHANGE TO:	
NAME	SERIES
PARKER	4000-P
AEROQUIP	42/56/76
FASTER	NV
SAFEWAY	S 20-P/S 40-P

COUPLER PART NUMBER	PLUG PART NUMBER	NOMINAL SIZE	MATERIAL	WORKING PRESSURE	THREAD F	CH2	CH3	OE	L1	L2	L3
NV-14-F	NV-14-M	1/4"	STEEL	5075 PSI	1/4" NPT F	.75	.75	1.06	2.99	2.19	1.49
NV-14-BSP-F	NV-14-BSP-M				1/4" BSPP	.75	.75	1.06	2.99	2.19	1.49
NV-38-F	NV-38-M	3/8"	STEEL	3625 PSI	3/8" NPT F	.94	.94	1.34	3.35	2.48	1.69
NV-38-BSP-F	NV-38-BSP-M				3/8" BSPP	.94	.94	1.34	3.35	2.48	1.69
NV-12-F	NV-12-M	1/2"	STEEL	3625 PSI	1/2" NPT F	1.06	1.06	1.49	3.78	2.76	1.89
NV-12-BSP-F	NV-12-BSP-M				1/2" BSPP	1.06	1.06	1.49	3.78	2.76	1.89
NV-12-UNF-F	2NV-12-UNF-M				3/4"-16 UNF	1.06	1.06	1.49	3.78	2.76	1.89
PV-12-F	2NV-12-M				1/2" NPT F	1.06	1.06	1.49	3.78	2.76	1.89
PV-12-BSP-F	2NV-12-BSP-M				1/2" BSPP	1.06	1.06	1.49	3.78	2.76	1.89
PV-12/34-F	2NV-12/34-M				3/4" NPT F	1.06	1.06	1.49	4.72	3.05	2.54
PV-12/34-BSP-F	2NV-12/34-BSP-M				3/4" BSPP	1.06	1.06	1.49	4.72	3.05	2.54
PV-12-UNF-F	2NV-12-UNF-M				3/4"-16 UNF	1.06	1.06	1.49	3.78	2.76	1.89
PV-12-UNF-02	2NV-12-UNF-M-02				3/4"-16 UNFM	1.06	1.06	1.49	3.78	2.76	1.89
*NV-34-F	*NV-34-M				3/4"	STEEL	3625 PSI	3/4" NPT F	1.34	1.34	1.85
*NV-34-BSP-F	*NV-34-BSP-M	3/4" BSPP	1.34	1.34				1.85	4.49	3.39	2.24
NV-1-F	NV-1-M	1"	STEEL	3625 PSI	1" NPT F	1.61	1.61	2.05	5.16	3.90	2.58
NV-1-BSP-F	NV-1-BSP-M				1" BSPP	1.61	1.61	2.05	5.16	3.90	2.58
NV-114-F	NV-114-M	1 1/4"	STEEL	3625 PSI	1 1/4" NPT F	1.97	1.97	2.76	5.91	4.61	2.95
NV-114-BSP-F	NV-114-BSP-M				1 1/4" BSPP	1.97	1.97	2.76	5.91	4.61	2.95
NV-112-F	NV-112-M	1 1/2"	STEEL	3045 PSI	1 1/2" NPT F	2.36	2.36	3.30	6.57	5.04	3.29
NV-112-BSP-F	NV-112-BSP-M				1 1/2" BSPP	2.36	2.36	3.30	6.57	5.04	3.29
NV-2-F	NV-2-M	2"	STEEL	1450 PSI	2" NPT F	2.95	2.95	4.65	7.87	5.98	3.94
NV-2-BSP-F	NV-2-BSP-M				2" BSPP	2.95	2.95	4.65	7.87	5.98	3.94

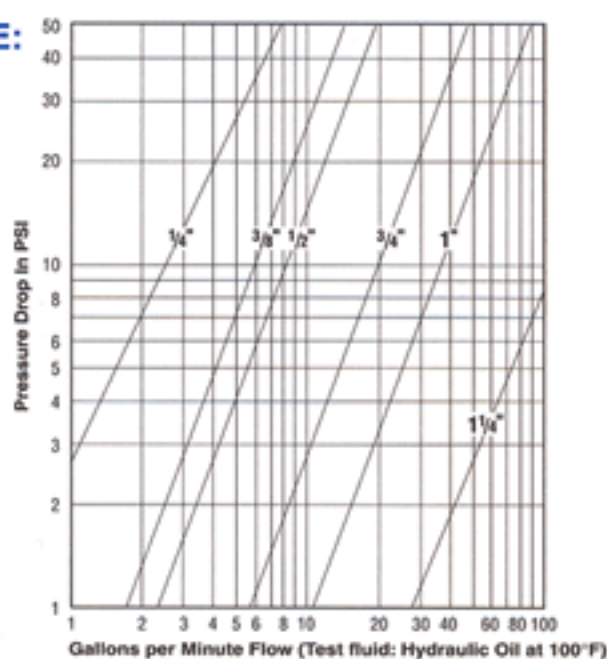
NOTE: P PREFIX = DOUBLE ACTING SLEEVE – PUSH PULL DESIGN
 * DOES NOT INTERCHANGE WITH PIONEER 3/4" POPPET TYPE COUPLER.
 USE NSP ON PREVIOUS PAGE FOR INTERCHANGE.



TECHNICAL DATA

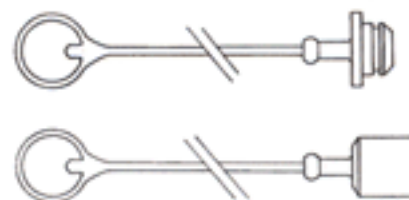
NOMINAL SIZE	RATED FLOW	MINIMUM BURST-COUPLER	MINIMUM BURST-PLUG	MINIMUM BURST CONNECTED	FLUID SPILLAGE
1/4"	6.08 GPM	27,550 PSI	21,170 PSI	22,040 PSI	1.0 cc
3/8"	9.5 GPM	26,970 PSI	20,300 PSI	23,200 PSI	2.4 cc
1/2"	11.3 GPM	18,850 PSI	15,370 PSI	16,820 PSI	2.7 cc
3/4"	24.5 GPM	17,400 PSI	15,370 PSI	15,370 PSI	8.6 cc
1"	27.5 GPM	16,820 PSI	15,225 PSI	14,790 PSI	13.0 cc
1 1/4"	51.6 GPM	14,500 PSI	17,255 PSI	14,500 PSI	30.0 cc
1 1/2"	88.5 GPM	13,920 PSI	12,180 PSI	12,760 PSI	52.0 cc
2"	215.0 GPM	7,250 PSI	6,090 PSI	6,960 PSI	90.0 cc

PERFORMANCE:

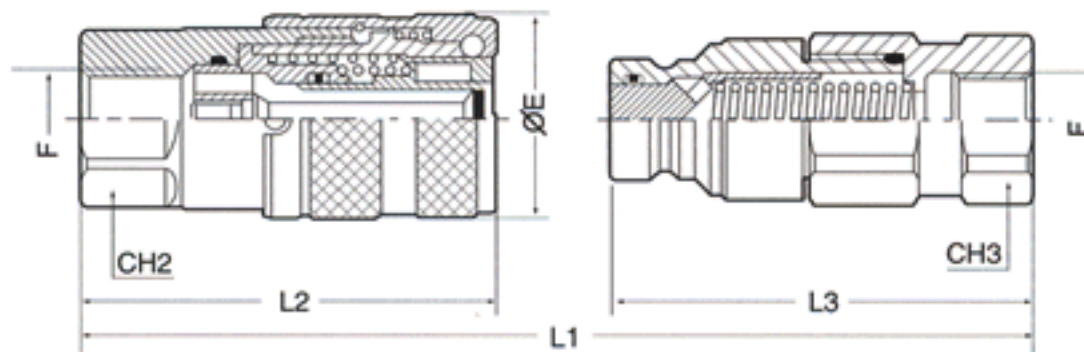


ACCESSORIES – DUST PROTECTORS

NOMINAL SIZE	DUST PROTECTOR FOR PLUG	DUST PROTECTOR FOR COUPLER	COLOR	MATERIAL
1/4"	TF-14-R	TM-14-R	RED	PVC
3/8"	TF-38-R	TM-38-R	RED	PVC
1/2"	TF-12-R	TM-12-R	RED	PVC
1/2"	TF-12-Y	TM-12-Y	YELLOW	PVC
1/2"	TF-12-B	TM-12-B	BLUE	PVC
1/2"	TF-12-G	TM-12-G	GREEN	PVC
1/2"	TF-12-BK	TM-12-BK	BLACK	PVC



FF SERIES ISO 16028 FLUSH FACE QUICK COUPLINGS



DIRECT INTERCHANGE TO:	
NAME	SERIES
PARKER	FF/FE
AEROQUIP	FD 89
FASTER	2 FF I
SAFEWAY	S 49
HOLMBURY	FIMC

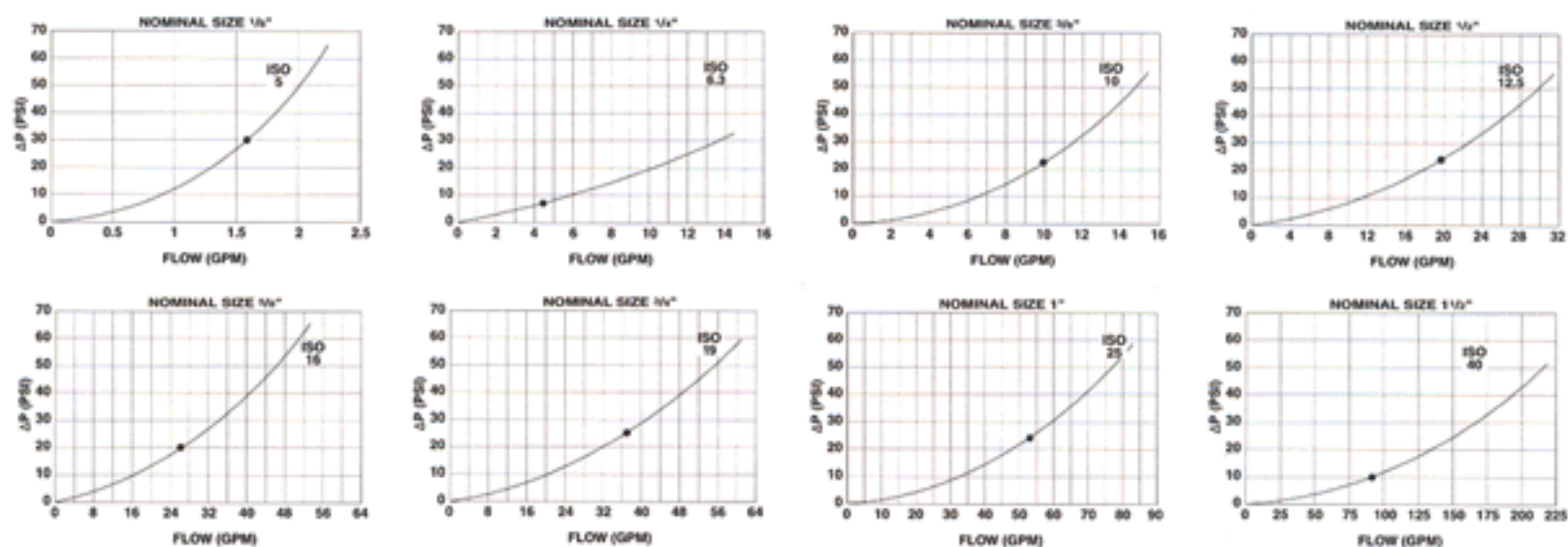
COUPLER PART NUMBER	PLUG PART NUMBER	ISO SIZE	NOMINAL SIZE	THREAD F	CH2	CH3	OE	L1	L2	L3
FF02-N18F	FF02-N18M	5	1/8"	1/8" NPTF	.67	.67	.98	2.15	1.91	1.71
FF02-B18F	FF02-B18M	5	1/8"	1/8" BSPP	.67	.67	.98	2.15	1.91	1.71
FF04-N14F	FF04-N14M	6.3	1/4"	1/4" NPTF	.86	.86	1.10	3.94	2.32	2.05
FF04-B14F	FF04-B14M	6.3	1/4"	1/4" BSPP	.86	.86	1.10	3.94	2.32	2.05
FF04-S916F	FF04-S916M	6.3	1/4"	9/16"-18 UNF	.86	.86	1.10	3.94	2.32	2.05
FF06-N38F	FF06-N38M	10	3/8"	3/8" NPTF	1.18	1.18	1.26	4.76	2.87	2.52
FF06-B38F	FF06-B38M	10	3/8"	3/8" BSPP	1.18	1.18	1.26	4.64	2.87	2.40
FF06-N12F	FF06-N12M	10	3/8"	3/8" NPTF	1.18	1.18	1.26	4.76	2.87	2.52
FF06-B12F	FF06-B12M	10	3/8"	3/8" BSPP	1.18	1.18	1.26	4.64	2.87	2.40
FF06-S916F	FF06-S916M	10	3/8"	9/16-18 UNF	1.18	1.18	1.26	4.64	2.87	2.40
FF06-S34F	FF06-S34M	10	3/8"	3/4-16 UNF	1.18	1.18	1.26	4.64	2.87	2.40
FF08-N12F	FF08-N12M	12.5	1/2"	1/2" NPTF	1.42	1.42	1.50	5.35	3.15	2.87
FF08-B12F	FF08-B12M	12.5	1/2"	1/2" BSPP	1.42	1.42	1.50	5.35	3.15	2.87
FF08-N34F	FF08-N34M	12.5	1/2"	3/4" NPTF	1.42	1.42	1.50	5.59	3.30	2.95
FF08-B34F	FF08-B34M	12.5	1/2"	3/4" BSPP	1.42	1.42	1.50	5.59	3.30	2.95
FF08-S34F	FF08-S34M	12.5	1/2"	3/4-16 UNF	1.42	1.42	1.50	5.24	3.15	2.76
FF08-S78F	FF08-S78M	12.5	1/2"	7/8-14 UNF	1.42	1.42	1.50	5.59	3.30	2.95
FF08-S1116F	FF08-S1116M	12.5	1/2"	1 1/16-12 UNF	1.42	1.42	1.50	5.59	3.30	2.95
FF10-N12F	FF10-N12M	16	5/8"	1/2" NPTF	1.42	1.42	1.65	5.39	3.23	2.87
FF10-B12F	FF10-B12M	16	5/8"	1/2" BSPP	1.42	1.42	1.65	5.39	3.23	2.87
FF10-N34F	FF10-N34M	16	5/8"	3/4" NPTF	1.42	1.42	1.65	5.63	3.39	2.95
FF10-B34F	FF10-B34M	16	5/8"	3/4" BSPP	1.42	1.42	1.65	5.63	3.39	2.95
FF10-S34F	FF10-S34M	16	5/8"	3/4-16 UNF	1.42	1.42	1.65	5.28	3.23	2.76
FF10-S78F	FF10-S78M	16	5/8"	7/8-14 UNF	1.42	1.42	1.65	5.63	3.39	2.95
FF10-S1116F	FF10-S1116M	16	5/8"	1 1/16-12 UNF	1.42	1.42	1.65	5.63	3.39	2.95
FF12-N34F	FF12-N34M	19	3/4"	3/4" NPTF	1.61	1.61	1.89	6.26	3.74	3.39
FF12-B34F	FF12-B34M	19	3/4"	3/4" BSPP	1.61	1.61	1.89	6.26	3.74	3.39
FF12-N1F	FF12-N1M	19	3/4"	1" NPTF	1.61	1.61	1.89	6.38	3.86	3.39
FF12-B1F	FF12-B1M	19	3/4"	1" BSPP	1.61	1.61	1.89	6.38	3.86	3.39
FF12-S1116F	FF12-S1116M	19	3/4"	1 1/16-12 UNF	1.61	1.61	1.89	6.30	3.43	3.43
FF12-S1516F	FF12-S1516M	19	3/4"	15/16-12 UNF	1.61	1.61	1.89	6.30	3.43	3.43
FF16-N114F	FF16-N114M	25	1"	1 1/4" NPTF	2.17	2.17	2.17	6.97	4.33	3.54
FF16-B114F	FF16-B114M	25	1"	1 1/4" BSPP	2.17	2.17	2.17	6.97	4.33	3.54
FF16-S158F	FF16-S158M	25	1"	1 5/8-12 UNF	2.17	2.17	2.17	6.97	4.33	3.54
FF24-N112F	FF24-N112M	40	1 1/2"	1 1/2" NPTF	2.76	2.76	3.11	9.33	4.65	4.49
FF24-B112F	FF24-B112M	40	1 1/2"	1 1/2" BSPP	2.76	2.76	3.11	9.33	4.65	4.49

NOTE: LOCKING SLEEVE STANDARD ON ALL SIZE COUPLERS.

TECHNICAL DATA – STEEL COUPLINGS

NOMINAL SIZE	ISO SIZE	MAXIMUM WORKING PRESSURE	RATED FLOW	MINIMUM BURST-PLUG	MINIMUM BURST COUPLER	MINIMUM BURST CONNECTED	FLUID SPILLAGE
1/8"	5	7250 PSI	1.6 GPM	43,500 PSI	29,000 PSI	43,500 PSI	0.006 cc
1/4"	6.3	5000 PSI	4.8 GPM	28,275 PSI	23,925 PSI	33,350 PSI	0.008 cc
3/8"	10	5000 PSI	10.0 GPM	29,000 PSI	21,025 PSI	20,590 PSI	0.010 cc
1/2"	12.5	5000 PSI	19.8 GPM	25,375 PSI	21,750 PSI	23,925 PSI	0.012 cc
5/8"	16	5000 PSI	26.4 GPM	24,255 PSI	21,750 PSI	23,200 PSI	0.015 cc
3/4"	19	5000 PSI	37.0 GPM	20,580 PSI	20,580 PSI	20,300 PSI	0.020 cc
1"	25	5000 PSI	52.8 GPM	20,580 PSI	20,580 PSI	21,750 PSI	0.030 cc
1 1/2"	40	3625 PSI	89.5 GPM	14,500 PSI	14,500 PSI	14,500 PSI	0.050 cc

PERFORMANCE:



ACCESSORIES – DUST PROTECTORS

NOMINAL SIZE	ISO SIZE	AUTOMATIC DUST CAP PART NUMBER	COLOR	MATERIAL
3/8"	10	TFFA-38-R	RED	NYLON
3/8"	10	TFFA-38-Y	YELLOW	NYLON
3/8"	10	TFFA-38-G	GREEN	NYLON
3/8"	10	TFFA-38-B	BLUE	NYLON
3/8"	10	TFFA-38-BK	BLACK	NYLON
1/2"	12.5	TFFA-34-R	RED	NYLON
1/2"	12.5	TFFA-34-Y	YELLOW	NYLON
1/2"	12.5	TFFA-34-G	GREEN	NYLON
1/2"	12.5	TFFA-34-B	BLUE	NYLON
1/2"	12.5	TFFA-34-BK	BLACK	NYLON

NOMINAL SIZE	ISO SIZE	MANUAL DUST CAP FOR COUPLER	COLOR	MATERIAL
3/8"	10	FF06-FC	RED	RUBBER
1/2"	12.5	FF08-FC	RED	RUBBER
3/4"	19	FF12-FC	RED	RUBBER

NOMINAL SIZE	ISO SIZE	MANUAL DUST CAP FOR PLUG	COLOR	MATERIAL
3/8"	10	FF06-MC	RED	RUBBER
1/2"	12.5	FF08-MC	RED	RUBBER
3/4"	19	FF12-MC	RED	RUBBER

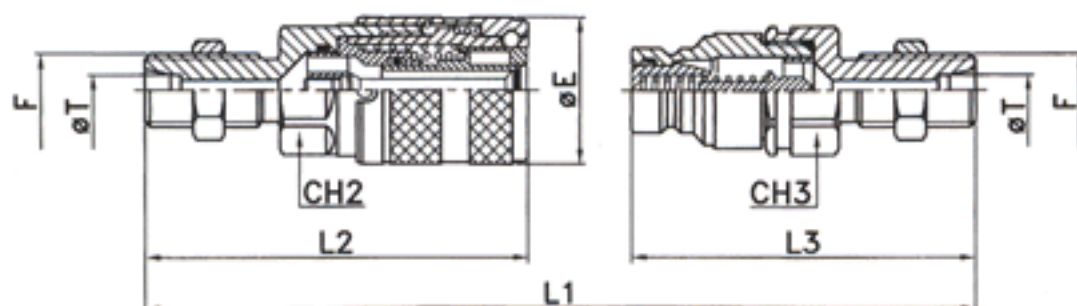


PRESS FITS ON COUPLER HALF ONLY.



NOTE: STANDARD COATING IS ZINC GREEN OR ZINC YELLOW
QPQ COATING AVAILABLE

FF SERIES FLUSH FACE COUPLINGS WITH BULKHEAD CONNECTIONS IN DIN 2353 (L) LIGHT (S) HEAVY



DIRECT INTERCHANGE TO:	
NAME	SERIES
FASTER	2 FF I
HOLMBURY	FIMC
WITH BULKHEAD CONNECTIONS	

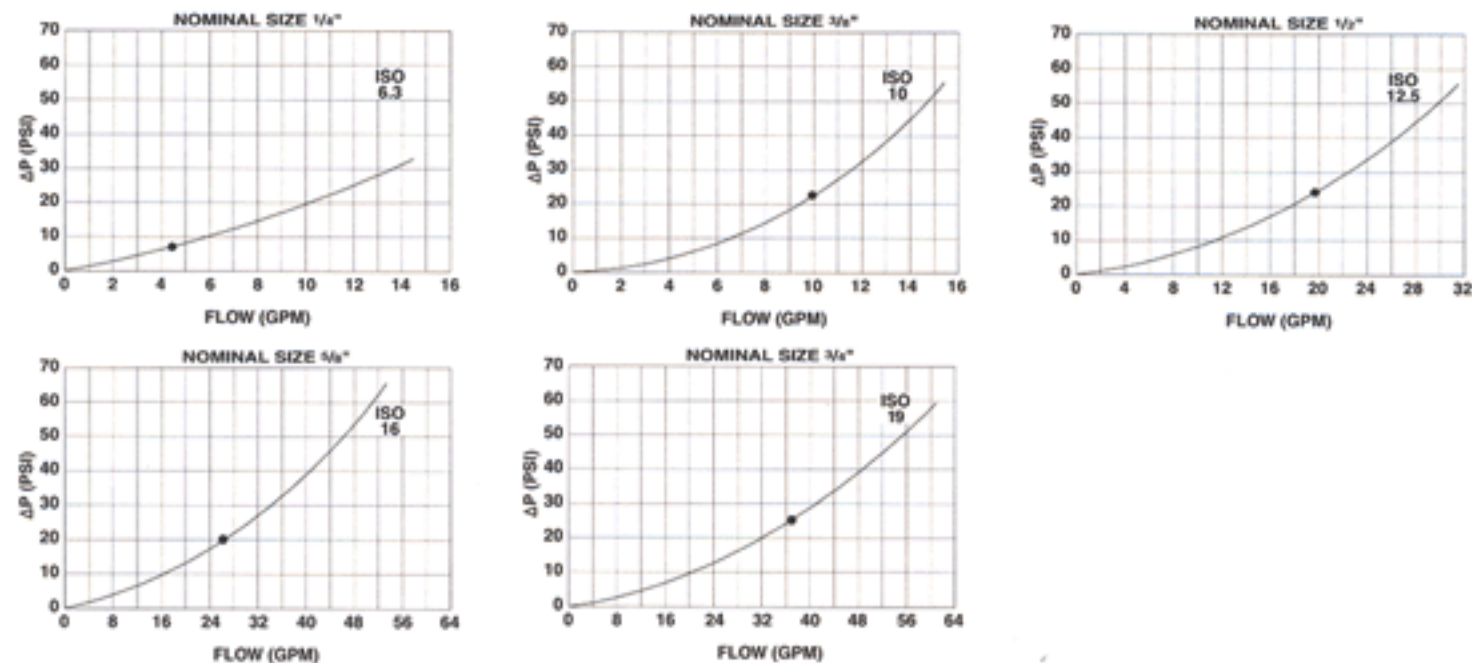
COUPLER PART NUMBER	PLUG PART NUMBER	ISO SIZE	NOMINAL SIZE	BULKHEAD SIZE F	CH2	CH3	OE	L1	L2	L3
FF04-F-08L	FF04-M-08L	6.3	1/4"	M14 x 1.5	.86	.86	1.10	5.08	2.91	2.60
FF04-F-10L	FF04-M-10L	6.3	1/4"	M16 x 1.5	.86	.86	1.10	5.08	2.91	2.60
FF04-F-12L	FF04-M-12L	6.3	1/4"	M18 x 1.5	.86	.86	1.10	5.08	2.91	2.60
FF04-F-08S	FF04-M-08S	6.3	1/4"	M16 x 1.5	.86	.86	1.10	5.16	2.95	2.64
FF04-F-10S	FF04-M-10S	6.3	1/4"	M18 x 1.5	.86	.86	1.26	5.16	2.95	2.64
FF04-F-12S	FF04-M-12S	6.3	1/4"	M20 x 1.5	.86	.86	1.26	5.16	2.95	2.64
FF06-F-08L	FF06-M-08L	10	3/8"	M14 x 1.5	1.18	1.18	1.26	5.71	3.46	2.87
FF06-F-10L	FF06-M-10L	10	3/8"	M16 x 1.5	1.18	1.18	1.26	5.71	3.46	2.87
FF06-F-12L	FF06-M-12L	10	3/8"	M18 x 1.5	1.18	1.18	1.26	5.71	3.46	2.87
FF06-F-15L	FF06-M-15L	10	3/8"	M22 x 1.5	1.18	1.18	1.26	5.79	3.50	2.91
FF06-F-18L	FF06-M-18L	10	3/8"	M26 x 1.5	1.18	1.18	1.26	5.79	3.50	2.91
FF06-F-10S	FF06-M-10S	10	3/8"	M18 x 1.5	1.18	1.18	1.26	5.79	3.50	2.91
FF06-F-12S	FF06-M-12S	10	3/8"	M20 x 1.5	1.18	1.18	1.26	5.79	3.50	2.91
FF06-F-14S	FF06-M-14S	10	3/8"	M22 x 1.5	1.18	1.18	1.26	5.95	3.58	2.99
FF06-F-16S	FF06-M-16S	10	3/8"	M24 x 1.5	1.18	1.18	1.26	5.95	3.58	2.99
FF08-F-12L	FF08-M-12L	12.5	1/2"	M18 x 1.5	1.42	1.42	1.50	6.50	3.82	3.35
FF08-F-15L	FF08-M-15L	12.5	1/2"	M22 x 1.5	1.42	1.42	1.50	6.57	3.86	3.39
FF08-F-18L	FF08-M-18L	12.5	1/2"	M26 x 1.5	1.42	1.42	1.50	6.57	3.86	3.39
FF08-F-22L	FF08-M-22L	12.5	1/2"	M30 x 1.5	1.42	1.42	1.50	7.13	4.13	3.66
FF08-F-10S	FF08-M-10S	12.5	1/2"	M18 x 1.5	1.42	1.42	1.50	6.57	3.86	3.39
FF08-F-12S	FF08-M-12S	12.5	1/2"	M20 x 1.5	1.42	1.42	1.50	6.57	3.86	3.39
FF08-F-14S	FF08-M-14S	12.5	1/2"	M22 x 1.5	1.42	1.42	1.50	6.65	3.86	3.46
FF08-F-16S	FF08-M-16S	12.5	1/2"	M24 x 1.5	1.42	1.42	1.50	6.65	3.86	3.46
FF08-F-20S	FF08-M-20S	12.5	1/2"	M30 x 2	1.42	1.42	1.50	6.65	3.94	3.46
FF10-F-12L	FF10-M-12L	16	5/8"	M18 x 1.5	1.42	1.42	1.65	6.54	3.90	3.35
FF10-F-15L	FF10-M-15L	16	5/8"	M22 x 1.5	1.42	1.42	1.65	6.61	3.94	3.39
FF10-F-18L	FF10-M-18L	16	5/8"	M26 x 1.5	1.42	1.42	1.65	6.61	3.94	3.39
FF10-F-22L	FF10-M-22L	16	5/8"	M30 x 1.5	1.42	1.42	1.65	7.17	4.21	3.66
FF10-F-10S	FF10-M-10S	16	5/8"	M18 x 1.5	1.42	1.42	1.65	6.61	3.94	3.39
FF10-F-12S	FF10-M-12S	16	5/8"	M20 x 1.5	1.42	1.42	1.65	6.61	3.94	3.39
FF10-F-14S	FF10-M-14S	16	5/8"	M22 x 1.5	1.42	1.42	1.65	6.69	3.94	3.46
FF10-F-16S	FF10-M-16S	16	5/8"	M24 x 1.5	1.42	1.42	1.65	6.69	3.94	3.46
FF10-F-20S	FF10-M-20S	16	5/8"	M30 x 2	1.42	1.42	1.65	6.69	4.02	3.46
FF12-F-18L	FF12-M-18L	19	3/4"	M26 x 1.5	1.61	1.61	1.89	7.91	4.80	3.98
FF12-F-22L	FF12-M-22L	19	3/4"	M30 x 2	1.61	1.61	1.89	7.91	4.80	3.98
FF12-F-28L	FF12-M-28L	19	3/4"	M36 x 2	1.61	1.61	1.89	7.91	4.80	3.98
FF12-F-20S	FF12-M-20S	19	3/4"	M30 x 2	1.61	1.61	1.89	8.07	4.88	4.06
FF12-F-25S	FF12-M-25S	19	3/4"	M36 x 2	1.61	1.61	1.89	8.23	4.96	4.13
FF12-F-30S	FF12-M-30S	19	3/4"	M42 x 2	1.61	1.61	1.89	8.39	5.04	4.21

NOTE: MALE AND FEMALE METRIC THREADS AVAILABLE, CONTACT PCI FOR DETAILS.
LOCKING SLEEVE STANDARD ON ALL SIZE COUPLERS.

TECHNICAL DATA – BULKHEAD STEEL COUPLINGS

NOMINAL SIZE	ISO SIZE	MAXIMUM WORKING PRESSURE	RATED FLOW	MINIMUM BURST-PLUG	MINIMUM BURST COUPLER	MINIMUM BURST CONNECTED	FLUID SPILLAGE
1/4"	6.3	5000 PSI	4.8 GPM	28,275 PSI	23,925 PSI	33,350 PSI	0.008 cc
3/8"	10	5000 PSI	10.0 GPM	29,000 PSI	21,025 PSI	20,590 PSI	0.010 cc
1/2"	12.5	5000 PSI	19.8 GPM	25,375 PSI	21,750 PSI	23,925 PSI	0.012 cc
5/8"	16	5000 PSI	26.4 GPM	24,255 PSI	21,750 PSI	23,200 PSI	0.015 cc
3/4"	19	5000 PSI	37.0 GPM	20,580 PSI	20,580 PSI	20,300 PSI	0.020 cc

PERFORMANCE:



ACCESSORIES – DUST PROTECTORS

NOMINAL SIZE	ISO SIZE	AUTOMATIC DUST CAP PART NUMBER	COLOR	MATERIAL
3/8"	10	TFFA-38-R	RED	NYLON
3/8"	10	TFFA-38-Y	YELLOW	NYLON
3/8"	10	TFFA-38-G	GREEN	NYLON
3/8"	10	TFFA-38-B	BLUE	NYLON
3/8"	10	TFFA-38-BK	BLACK	NYLON
1/2"	12.5	TFFA-34-R	RED	NYLON
1/2"	12.5	TFFA-34-Y	YELLOW	NYLON
1/2"	12.5	TFFA-34-G	GREEN	NYLON
1/2"	12.5	TFFA-34-B	BLUE	NYLON
1/2"	12.5	TFFA-34-BK	BLACK	NYLON

NOMINAL SIZE	ISO SIZE	MANUAL DUST CAP FOR COUPLER	COLOR	MATERIAL
3/8"	10	FF06-FC	RED	RUBBER
1/2"	12.5	FF08-FC	RED	RUBBER
3/4"	19	FF12-FC	RED	RUBBER

NOMINAL SIZE	ISO SIZE	MANUAL DUST CAP FOR PLUG	COLOR	MATERIAL
3/8"	10	FF06-MC	RED	RUBBER
1/2"	12.5	FF08-MC	RED	RUBBER
3/4"	19	FF12-MC	RED	RUBBER

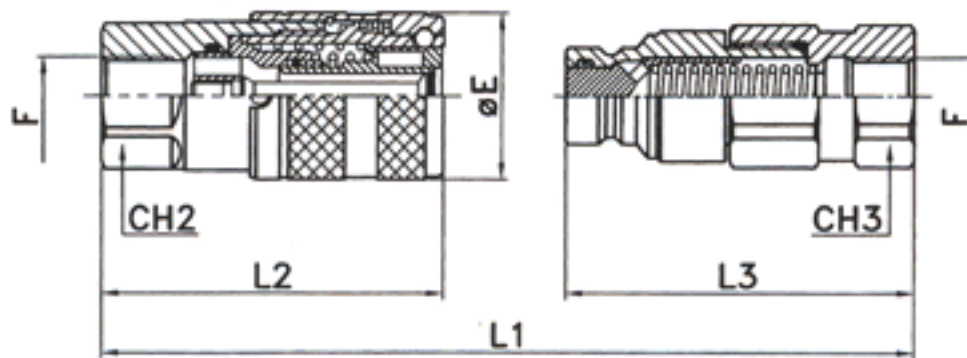


PRESS FITS ON COUPLER HALF ONLY.



NOTE: STANDARD COATING IS ZINC GREEN OR ZINC YELLOW
QPQ COATING AVAILABLE

FFS SERIES "316" STAINLESS STEEL – FLUSH FACE COUPLINGS



DIRECT INTERCHANGE TO:	
NAME	SERIES
PARKER	FS
FASTER	2 FFI-2
HOLMBURY	FL

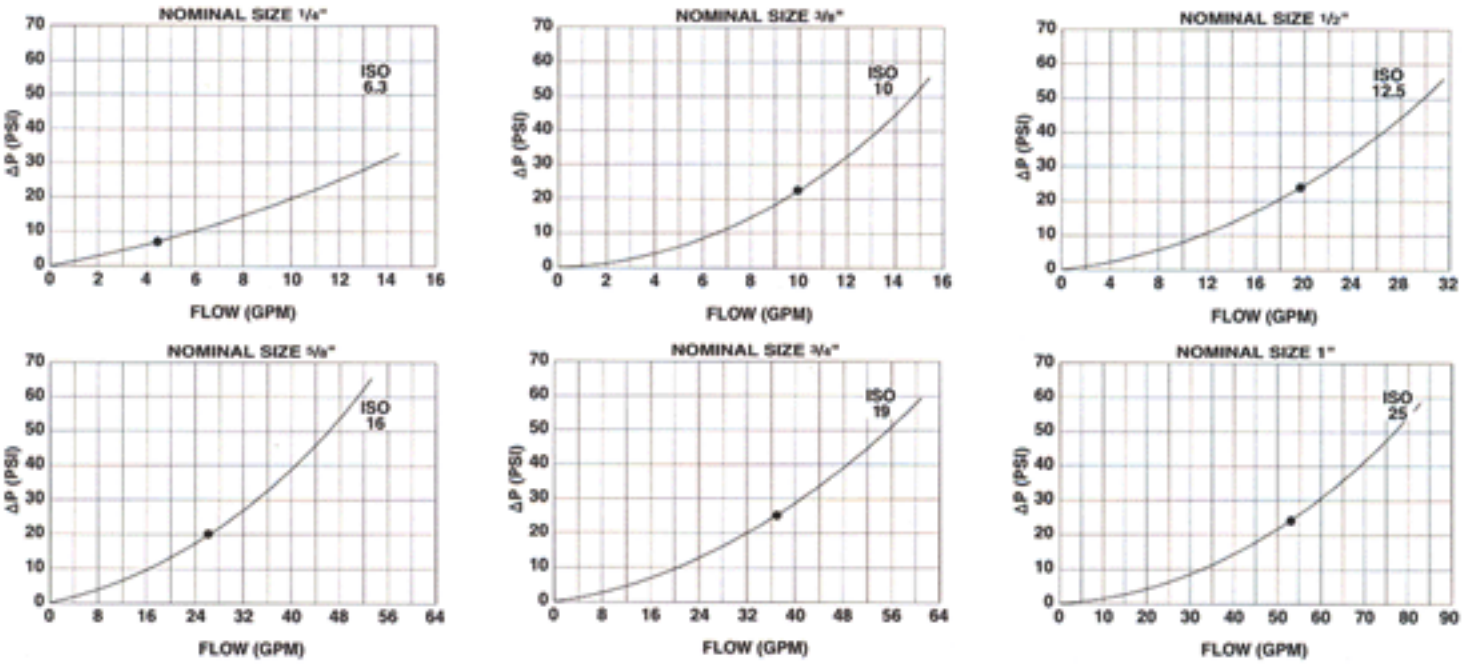
COUPLER PART NUMBER	PLUG PART NUMBER	ISO SIZE	NOMINAL SIZE	THREAD F	CH2	CH3	OE	L1	L2	L3
FFS04-N14F	FFS04-N14M	6.3	1/4"	1/4" NPTF	.86	.86	1.10	3.94	2.32	2.05
FFS04-B14F	FFS04-B14M	6.3	1/4"	1/4" BSPP	.86	.86	1.10	3.94	2.32	2.05
FFS04-S916F	FFS04-S916M	6.3	1/4"	9/16-18 UNF	.86	.86	1.10	3.94	2.32	2.05
FFS06-N38F	FFS06-N38M	10	3/8"	3/8" NPTF	1.18	1.18	1.26	4.76	2.87	2.52
FFS06-B38F	FFS06-B38M	10	3/8"	3/8" BSPP	1.18	1.18	1.26	4.64	2.87	2.40
FFS06-N12F	FFS06-N12M	10	3/8"	1/2" NPTF	1.18	1.18	1.26	4.76	2.87	2.52
FFS06-B12F	FFS06-B12M	10	3/8"	1/2" BSPP	1.18	1.18	1.26	4.64	2.87	2.40
FFS06-S34F	FFS06-S34M	10	3/8"	3/4-16 UNF	1.18	1.18	1.26	4.64	2.87	2.40
FFS08-N34F	FFS08-N34M	12.5	1/2"	3/4" NPTF	1.42	1.42	1.50	5.35	3.15	2.87
FFS08-B34F	FFS08-B34M	12.5	1/2"	3/4" BSPP	1.42	1.42	1.50	5.35	3.15	2.87
FFS08-S1116F	FFS08-S1116M	12.5	1/2"	1 1/16-12 UNF	1.42	1.42	1.50	5.59	3.30	2.95
FFS10-N34F	FFS10-N34M	16	5/8"	3/4" NPTF	1.42	1.42	1.65	5.39	3.23	2.87
FFS10-B34F	FFS10-B34M	16	5/8"	3/4" BSPP	1.42	1.42	1.65	5.39	3.23	2.87
FFS10-S1116F	FFS10-S1116M	16	5/8"	1 1/16-12 UNF	1.42	1.42	1.65	5.63	3.39	2.95
FFS12-N1F	FFS12-N1M	19	3/4"	1" NPTF	1.61	1.61	1.89	6.38	3.86	3.39
FFS12-B1F	FFS12-B1M	19	3/4"	1" BSPP	1.61	1.61	1.89	6.38	3.86	3.39
FFS12-S1516F	FFS12-S1516M	19	3/4"	1 5/16-12 UNF	1.61	1.61	1.89	6.30	3.43	3.43
FFS16-N114F	FFS16-N114M	25	1"	1 1/4" NPTF	2.17	2.17	2.17	6.97	4.33	3.54
FFS16-B114F	FFS16-B114M	25	1"	1 1/4" BSPP	2.17	2.17	2.17	6.97	4.33	3.54
FFS16-S158F	FFS16-S158M	25	1"	1 5/8-12 UNF	2.17	2.17	2.17	6.97	4.33	3.54

NOTE: LOCKING SLEEVE STANDARD ON ALL SIZE COUPLERS.

TECHNICAL DATA – STAINLESS STEEL COUPLINGS

NOMINAL SIZE	ISO SIZE	MAXIMUM WORKING PRESSURE	RATED FLOW	MINIMUM BURST-PLUG	MINIMUM BURST COUPLER	MINIMUM BURST CONNECTED	FLUID SPILLAGE
1/4"	6.3	3625 PSI	4.8 GPM	CF	CF	CF	0.008 cc
3/8"	10	3625 PSI	10.0 GPM	26,100 PSI	15,225 PSI	29,000 PSI	0.010 cc
1/2"	12.5	3625 PSI	19.8 GPM	22,475 PSI	14,790 PSI	18,850 PSI	0.012 cc
5/8"	16	3625 PSI	26.4 GPM	CF	CF	CF	0.015 cc
3/4"	19	3625 PSI	37.0 GPM	CF	CF	CF	0.020 cc
1"	25	3625 PSI	52.8 GPM	CF	CF	CF	0.030 cc

PERFORMANCE:




ACCESSORIES – DUST PROTECTORS


NOMINAL SIZE	ISO SIZE	AUTOMATIC DUST CAP PART NUMBER	COLOR	MATERIAL
3/8"	10	TFFA-38-R	RED	NYLON
3/8"	10	TFFA-38-Y	YELLOW	NYLON
3/8"	10	TFFA-38-G	GREEN	NYLON
3/8"	10	TFFA-38-B	BLUE	NYLON
3/8"	10	TFFA-38-BK	BLACK	NYLON
1/2"	12.5	TFFA-34-R	RED	NYLON
1/2"	12.5	TFFA-34-Y	YELLOW	NYLON
1/2"	12.5	TFFA-34-G	GREEN	NYLON
1/2"	12.5	TFFA-34-B	BLUE	NYLON
1/2"	12.5	TFFA-34-BK	BLACK	NYLON


NOMINAL SIZE	ISO SIZE	MANUAL DUST CAP FOR COUPLER	COLOR	MATERIAL
3/8"	10	FF06-FC	RED	RUBBER
1/2"	12.5	FF08-FC	RED	RUBBER
3/4"	19	FF12-FC	RED	RUBBER

NOMINAL SIZE	ISO SIZE	MANUAL DUST CAP FOR PLUG	COLOR	MATERIAL
3/8"	10	FF06-MC	RED	RUBBER
1/2"	12.5	FF08-MC	RED	RUBBER
3/4"	19	FF12-MC	RED	RUBBER

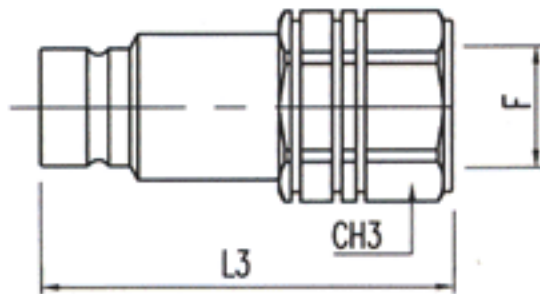


PRESS FITS ON
COUPLER HALF ONLY.





3FF SERIES ISO 16028 CONNECT UNDER PRESSURE FLUSH FACE PLUGS

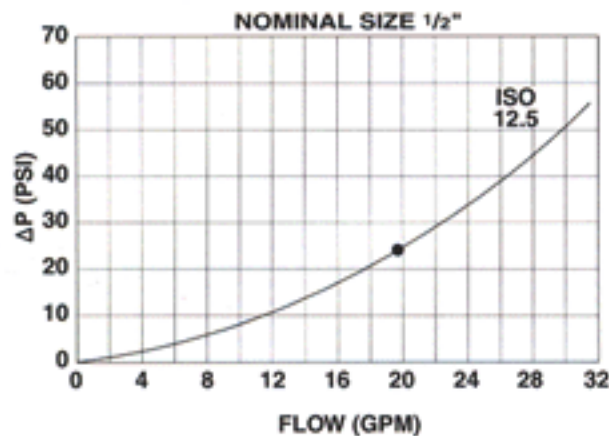


DIRECT INTERCHANGE TO:	
NAME	SERIES
PARKER	FEC
SNAP-TITE	CP 74
FASTER	3 FFI
HOLMBURY	APM

PLUG PART NUMBER	ISO SIZE	NOMINAL SIZE	THREAD F	CH3	L3
3FF08-N12M	12.5	1/2"	1/2" NPT F	1.42	3.34
3FF08-N34M	12.5	1/2"	3/4" NPT F	1.42	3.37
3FF08-S78M	12.5	1/2"	7/8"-14 UNF	1.42	3.37
3FF08-S1116M	12.5	1/2"	1 1/16"-12 UNF	1.42	3.37
3FF08-B12M	12.5	1/2"	1/2" BSPP	1.42	3.30
3FF08-B34M	12.5	1/2"	3/4" BSPP	1.42	3.37

NOTE: ISO SIZE 10, 16, 19 AVAILABLE SOON. CONTACT PCI FOR DETAILS.

PERFORMANCE:



TECHNICAL DATA – STEEL PLUGS

NOMINAL SIZE	ISO SIZE	MAXIMUM WORKING PRESSURE	RATED FLOW	MINIMUM BURST	FLUID SPILLAGE
1/2"	12.5	5075 PSI	19.7 GPM	25,375 PSI	0.012 cc

ACCESSORIES – DUST PROTECTORS

NOMINAL SIZE	ISO SIZE	MANUAL DUST CAP	COLOR	MATERIAL
1/2"	12.5	FF08-MC	RED	RUBBER

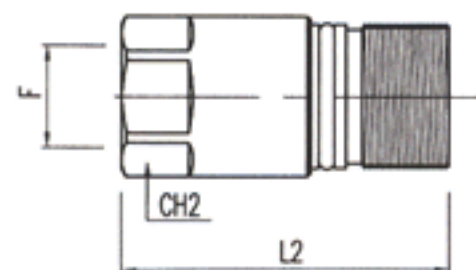
NOTE: 3FF SERIES PLUGS ARE CONNECTABLE UNDER PRESSURE UP TO 3625 PSI WHEN THE COUPLER HAS FREE BACK FLOW.

AVAILABLE IN YELLOW OR GREEN ZINC COATING
SPECIAL ORDER FOR QPQ COATING

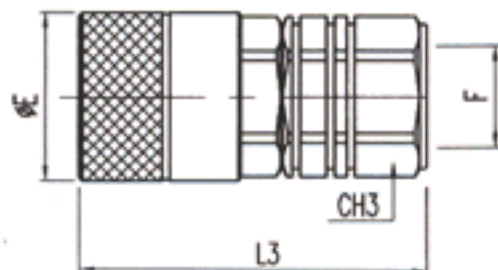


3FVV SERIES FLUSH FACE – SCREW TOGETHER COUPLINGS

COUPLER HALF



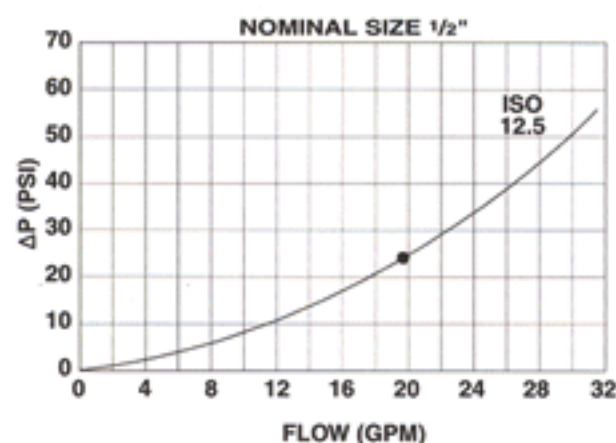
PLUG HALF



COUPLER PART NUMBER	PLUG PART NUMBER	ISO SIZE	NOMINAL SIZE	THREAD F	CH2	CH3	ØE	L2	L3
3FVV08-N12F	3FVV08-N12M	12.5	1/2"	1/2" NPT F	1.42	1.42	1.65	3.29	3.43
3FVV08-N34F	3FVV08-N34M	12.5	1/2"	3/4" NPT F	1.42	1.42	1.65	3.29	3.44
3FVV08-S78F	3FVV08-S78M	12.5	1/2"	7/8"-14 UNF	1.42	1.42	1.65	3.21	3.44
3FVV08-S1116F	3FVV08-S1116M	12.5	1/2"	1 1/16"-12 UNF	1.42	1.42	1.65	3.29	3.44
3FVV08-B12F	3FVV08-B12M	12.5	1/2"	1/2" BSPP	1.42	1.42	1.65	3.29	3.39
3FVV08-B34F	3FVV08-B34M	12.5	1/2"	3/4" BSPP	1.42	1.42	1.65	3.29	3.44

NOTE: ISO SIZE 10 AVAILABLE SOON. CONTACT PCI FOR DETAILS.

PERFORMANCE:



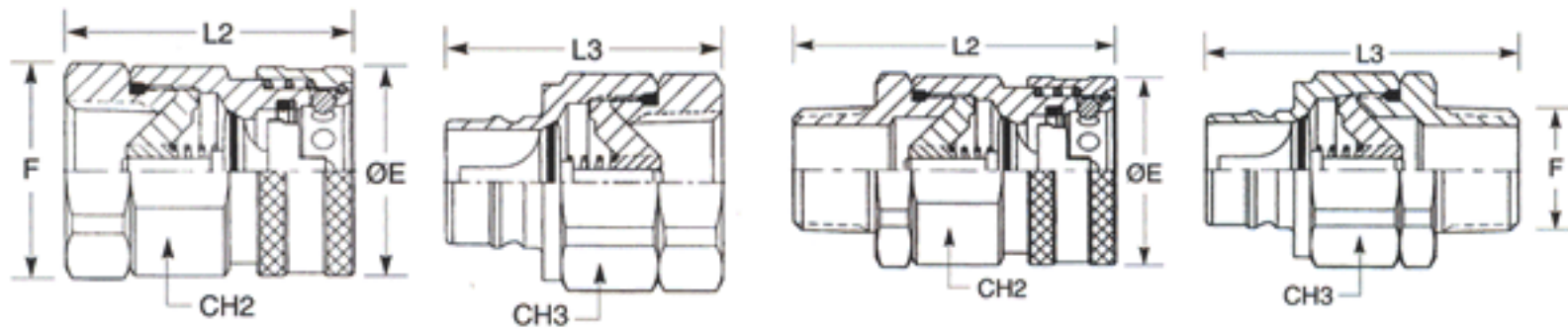
TECHNICAL DATA

NOMINAL SIZE	ISO SIZE	MAXIMUM WORKING PRESSURE	RATED FLOW	MINIMUM BURST-PLUG	MINIMUM BURST COUPLER	MINIMUM BURST CONNECTED	FLUID SPILLAGE
1/2"	12.5	5075 PSI	20 GPM	21,750 PSI	21,750 PSI	21,750 PSI	0.012 cc

ACCESSORIES – DUST PROTECTORS
CONTACT FACTORY

NOTE: 3FVV SERIES COUPLINGS ARE CONNECTABLE UNDER PRESSURE WITH THE PLUG UP TO 3625 PSI AND THE COUPLER UP TO 1450 PSI.

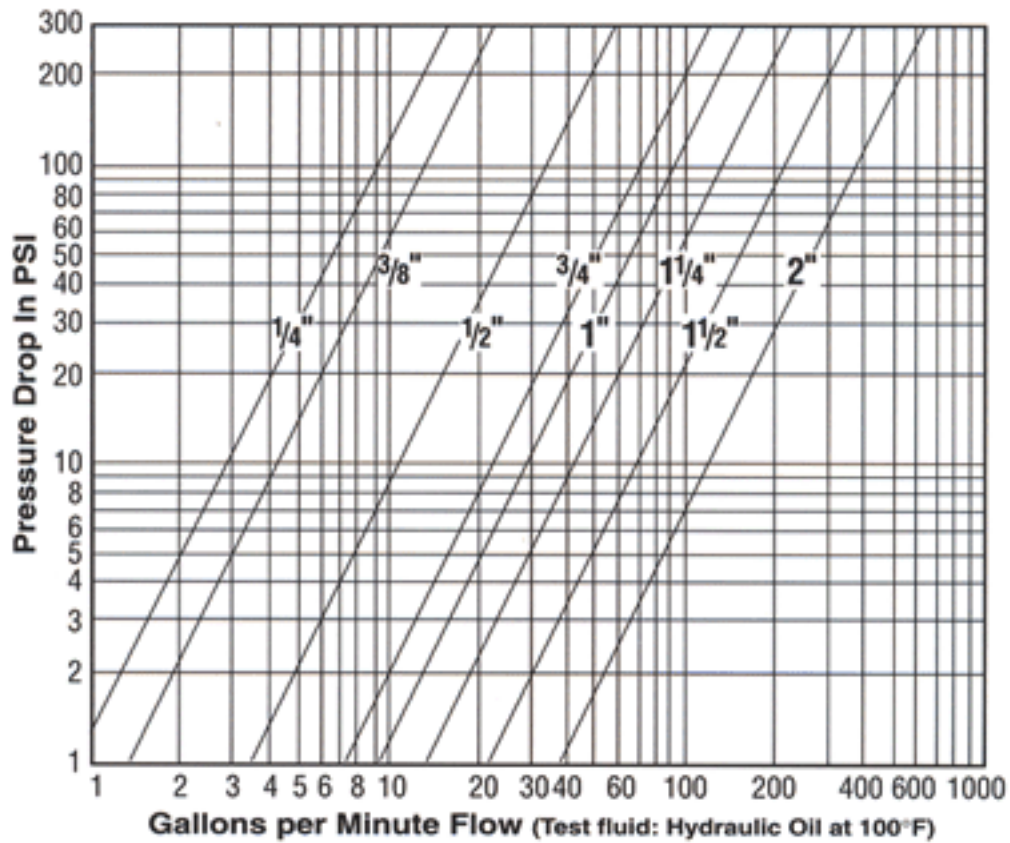
TNV SERIES SNAP-TITE INTERCHANGE QUICK COUPLINGS – VALVED



COUPLER PART NUMBER	PLUG PART NUMBER	NOMINAL SIZE	MATERIAL	WORKING PRESSURE	THREAD F	CH2	CH3	OE	L2	L3
TNV-04-F	TNV-04-M	1/4"	STEEL	6500 PSI	1/4" NPT F	.88	.88	.99	1.68	1.62
TNV-04-F-02	TNV-04-M-02		STEEL	6500 PSI	1/4" NPT M	.88	.88	.99	2.12	2.06
TNV-04-F-5	TNV-04-M-5		BRASS	2250 PSI	1/4" NPT F	.88	.88	.99	1.68	1.62
TNV-04-F-5-02	TNV-04-M-5-02		BRASS	2250 PSI	1/4" NPT M	.88	.88	.99	2.12	2.06
TNV-04-F-2	TNV-04-M-2		316 SS	5000 PSI	1/4" NPT F	.88	.88	.99	1.68	1.62
TNV-04-F-2-02	TNV-04-M-2-02		316 SS	5000 PSI	1/4" NPT M	.88	.88	.99	2.12	2.06
TNV-06-F	TNV-06-M	3/8"	STEEL	4500 PSI	3/8" NPT F	1.00	1.00	1.18	1.94	1.87
TNV-06-F-02	TNV-06-M-02		STEEL	4500 PSI	3/8" NPT M	1.00	1.00	1.18	2.32	2.25
TNV-06-F-5	TNV-06-M-5		BRASS	2250 PSI	3/8" NPT F	1.00	1.00	1.18	1.94	1.87
TNV-06-F-5-02	TNV-06-M-5-02		BRASS	2250 PSI	3/8" NPT M	1.00	1.00	1.18	2.32	2.25
TNV-06-F-2	TNV-06-M-2		316 SS	4000 PSI	3/8" NPT F	1.00	1.00	1.18	1.94	1.87
TNV-06-F-2-02	TNV-06-M-2-02		316 SS	4000 PSI	3/8" NPT M	1.00	1.00	1.18	2.32	2.25
TNV-08-F	TNV-08-M	1/2"	STEEL	4000 PSI	1/2" NPT F	1.19	1.19	1.36	2.13	1.99
TNV-08-F-02	TNV-08-M-02		STEEL	4000 PSI	1/2" NPT M	1.19	1.19	1.36	2.54	2.40
TNV-08-F-5	TNV-08-M-5		BRASS	2000 PSI	1/2" NPT F	1.19	1.19	1.36	2.13	1.99
TNV-08-F-5-02	TNV-08-M-5-02		BRASS	2000 PSI	1/2" NPT M	1.19	1.19	1.36	2.54	2.40
TNV-08-F-2	TNV-08-M-2		316 SS	3750 PSI	1/2" NPT F	1.19	1.19	1.36	2.13	1.99
TNV-08-F-2-02	TNV-08-M-2-02		316 SS	3750 PSI	1/2" NPT M	1.19	1.19	1.36	2.54	2.40
TNV-12-F	TNV-12-M	3/4"	STEEL	3500 PSI	3/4" NPT F	1.50	1.50	1.67	2.47	2.31
TNV-12-F-02	TNV-12-M-02		STEEL	3500 PSI	3/4" NPT M	1.50	1.50	1.67	3.07	2.91
TNV-12-F-5	TNV-12-M-5		BRASS	2000 PSI	3/4" NPT F	1.50	1.50	1.67	2.47	2.31
TNV-12-F-5-02	TNV-12-M-5-02		BRASS	2000 PSI	3/4" NPT M	1.50	1.50	1.67	3.07	2.91
TNV-12-F-2	TNV-12-M-2		316 SS	2000 PSI	3/4" NPT F	1.50	1.50	1.67	2.47	2.31
TNV-12-F-2-02	TNV-12-M-2-02		316 SS	2000 PSI	3/4" NPT M	1.50	1.50	1.67	3.07	2.91
TNV-16-F	TNV-16-M	1"	STEEL	2000 PSI	1" NPT F	1.88	1.88	2.06	2.70	2.60
TNV-16-F-02	TNV-16-M-02		STEEL	2000 PSI	1" NPT M	1.88	1.88	2.06	3.32	3.22
TNV-16-F-5	TNV-16-M-5		BRASS	1750 PSI	1" NPT F	1.88	1.88	2.06	2.70	2.60
TNV-16-F-5-02	TNV-16-M-5-02		BRASS	1750 PSI	1" NPT M	1.88	1.88	2.06	3.32	3.22
TNV-16-F-2	TNV-16-M-2		316 SS	2000 PSI	1" NPT F	1.88	1.88	2.06	2.70	2.60
TNV-16-F-2-02	TNV-16-M-2-02		316 SS	2000 PSI	1" NPT M	1.88	1.88	2.06	3.32	3.22
TNV-20-F	TNV-20-M	1 1/4"	STEEL	1750 PSI	1 1/4" NPT F	2.00	2.00	2.19	3.54	3.41
TNV-20-F-02	TNV-20-M-02		STEEL	1750 PSI	1 1/4" NPT M	2.00	2.00	2.19	3.59	3.46
TNV-20-F-5	TNV-20-M-5		BRASS	350 PSI	1 1/4" NPT F	2.00	2.00	2.19	3.54	3.41
TNV-20-F-5-02	TNV-20-M-5-02		BRASS	350 PSI	1 1/4" NPT M	2.00	2.00	2.19	3.59	3.46
TNV-20-F-2	TNV-20-M-2		316 SS	1500 PSI	1 1/4" NPT F	2.00	2.00	2.19	3.54	3.41
TNV-20-F-2-02	TNV-20-M-2-02		316 SS	1500 PSI	1 1/4" NPT M	2.00	2.00	2.19	3.59	3.46
TNV-24-F	TNV-24-M	1 1/2"	STEEL	1500 PSI	1 1/2" NPT F	2.50	2.50	2.74	3.27	3.41
TNV-24-F-02	TNV-24-M-02		STEEL	1500 PSI	1 1/2" NPT M	2.50	2.50	2.74	4.01	3.85
TNV-24-F-5	TNV-24-M-5		BRASS	350 PSI	1 1/2" NPT F	2.50	2.50	2.74	3.27	3.41
TNV-24-F-5-02	TNV-24-M-5-02		BRASS	350 PSI	1 1/2" NPT M	2.50	2.50	2.74	4.01	3.85
TNV-24-F-2	TNV-24-M-2		316 SS	1500 PSI	1 1/2" NPT F	2.50	2.50	2.74	3.27	3.41
TNV-24-F-2-02	TNV-24-M-2-02		316 SS	1500 PSI	1 1/2" NPT M	2.50	2.50	2.74	4.01	3.85
TNV-32-F	TNV-32-M	2"	STEEL	1000 PSI	2" NPT F	3.50	3.50	3.83	3.92	3.72
TNV-32-F-02	TNV-32-M-02		STEEL	1000 PSI	2" NPT M	3.50	3.50	3.83	4.54	4.34
TNV-32-F-5	TNV-32-M-5		BRASS	300 PSI	2" NPT F	3.50	3.50	3.83	3.92	3.72
TNV-32-F-5-02	TNV-32-M-5-02		BRASS	300 PSI	2" NPT M	3.50	3.50	3.83	4.54	4.34
TNV-32-F-2	TNV-32-M-2		316 SS	1000 PSI	2" NPT F	3.50	3.50	3.83	3.92	3.72
TNV-32-F-2-02	TNV-32-M-2-02		316 SS	1000 PSI	2" NPT M	3.50	3.50	3.83	4.54	4.34

NOTE: SAE THREADS AVAILABLE – CONTACT FACTORY FOR DETAILS

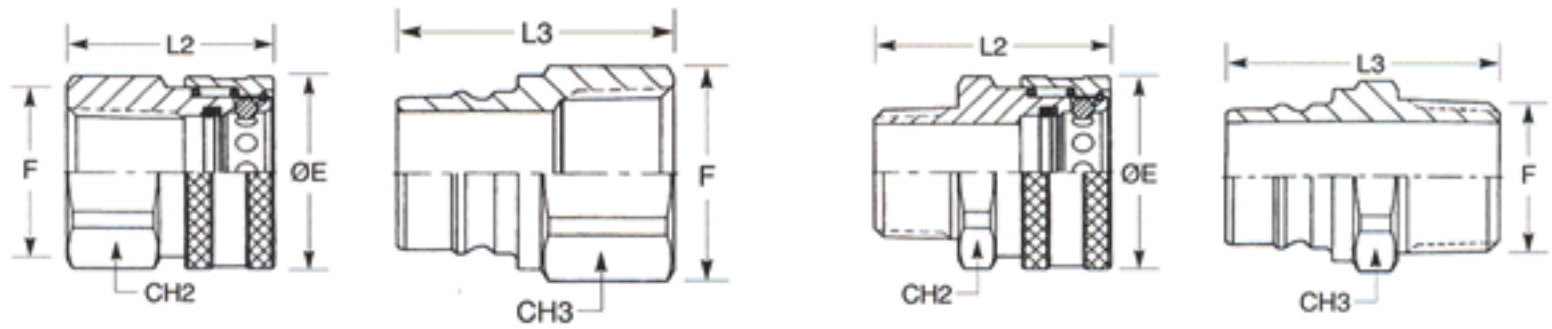
PERFORMANCE:



NOTE: ABOVE CHART ALSO REPRESENTS BRASS AND STAINLESS STEEL PRESSURE DROP PERFORMANCE.

FOR SPECIFIC BURST PRESSURE AND FLUID SPILLAGE OF EACH PART, PLEASE CONTACT PCI FOR DETAILS.

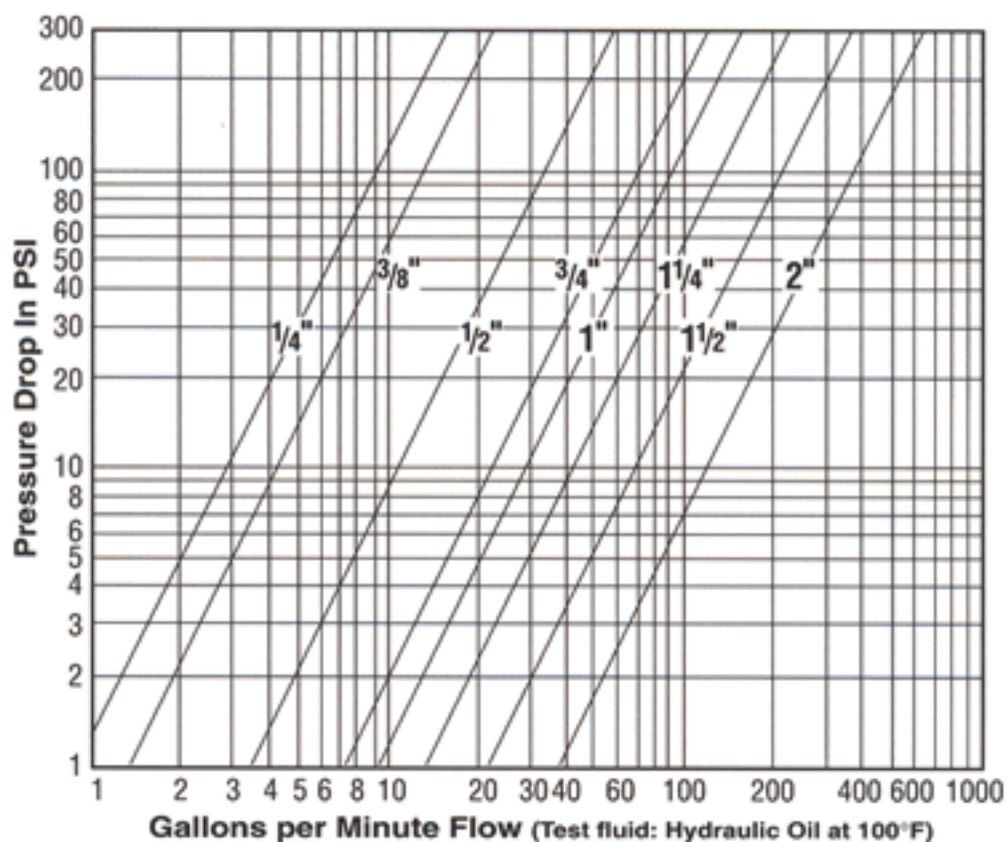
TNL SERIES SNAP-TITE INTERCHANGE QUICK COUPLINGS –NON-VALVED



COUPLER PART NUMBER	PLUG PART NUMBER	NOMINAL SIZE	MATERIAL	WORKING PRESSURE	THREAD F	CH2	CH3	OE	L2	L3
TNL-04-F	TNL-04-M	1/4"	STEEL	11,000 PSI	1/4" NPT F	.88	.63	.99	1.36	1.27
TNL-04-F-02	TNL-04-M-02		STEEL	11,000 PSI	1/4" NPT M	.88	.63	.99	1.82	1.52
TNL-04-F-5	TNL-04-M-5		BRASS	4,000 PSI	1/4" NPT F	.88	.63	.99	1.36	1.27
TNL-04-F-5-02	TNL-04-M-5-02		BRASS	4,000 PSI	1/4" NPT M	.88	.63	.99	1.82	1.52
TNL-04-F-2	TNL-04-M-2		316 SS	10,000 PSI	1/4" NPT F	.88	.63	.99	1.36	1.27
TNL-04-F-2-02	TNL-04-M-2-02		316 SS	10,000 PSI	1/4" NPT M	.88	.63	.99	1.82	1.52
TNL-06-F	TNL-06-M	3/8"	STEEL	11,000 PSI	3/8" NPT F	.88	.81	1.18	1.50	1.41
TNL-06-F-02	TNL-06-M-02		STEEL	11,000 PSI	3/8" NPT M	.88	.81	1.18	1.76	1.72
TNL-06-F-5	TNL-06-M-5		BRASS	4,000 PSI	3/8" NPT F	.88	.81	1.18	1.50	1.41
TNL-06-F-5-02	TNL-06-M-5-02		BRASS	4,000 PSI	3/8" NPT M	.88	.81	1.18	1.76	1.72
TNL-06-F-2	TNL-06-M-2		316 SS	8,000 PSI	3/8" NPT F	.88	.81	1.18	1.50	1.41
TNL-06-F-2-02	TNL-06-M-2-02		316 SS	8,000 PSI	3/8" NPT M	.88	.81	1.18	1.76	1.72
TNL-08-F	TNL-08-M	1/2"	STEEL	11,000 PSI	1/2" NPT F	1.19	1.00	1.37	1.64	1.72
TNL-08-F-02	TNL-08-M-02		STEEL	11,000 PSI	1/2" NPT M	1.19	1.00	1.37	2.03	1.80
TNL-08-F-5	TNL-08-M-5		BRASS	4,000 PSI	1/2" NPT F	1.19	1.00	1.37	1.64	1.72
TNL-08-F-5-02	TNL-08-M-5-02		BRASS	4,000 PSI	1/2" NPT M	1.19	1.00	1.37	2.03	1.80
TNL-08-F-2	TNL-08-M-2		316 SS	8,000 PSI	1/2" NPT F	1.19	1.00	1.37	1.64	1.72
TNL-08-F-2-02	TNL-08-M-2-02		316 SS	8,000 PSI	1/2" NPT M	1.19	1.00	1.37	2.03	1.80
TNL-12-F	TNL-12-M	3/4"	STEEL	9,000 PSI	3/4" NPT F	1.50	1.19	1.67	1.96	1.86
TNL-12-F-02	TNL-12-M-02		STEEL	9,000 PSI	3/4" NPT M	1.50	1.19	1.67	2.29	2.19
TNL-12-F-5	TNL-12-M-5		BRASS	3,500 PSI	3/4" NPT F	1.50	1.19	1.67	1.96	1.86
TNL-12-F-5-02	TNL-12-M-5-02		BRASS	3,500 PSI	3/4" NPT M	1.50	1.19	1.67	2.29	2.19
TNL-12-F-2	TNL-12-M-2		316 SS	7,000 PSI	3/4" NPT F	1.50	1.19	1.67	1.96	1.86
TNL-12-F-2-02	TNL-12-M-2-02		316 SS	7,000 PSI	3/4" NPT M	1.50	1.19	1.67	2.29	2.19
TNL-16-F	TNL-16-M	1"	STEEL	6,000 PSI	1" NPT F	1.81	1.50	1.99	2.10	2.08
TNL-16-F-02	TNL-16-M-02		STEEL	6,000 PSI	1" NPT M	1.81	1.50	1.99	2.39	2.31
TNL-16-F-5	TNL-16-M-5		BRASS	3,000 PSI	1" NPT F	1.81	1.50	1.99	2.10	2.08
TNL-16-F-5-02	TNL-16-M-5-02		BRASS	3,000 PSI	1" NPT M	1.81	1.50	1.99	2.39	2.31
TNL-16-F-2	TNL-16-M-2		316 SS	4,000 PSI	1" NPT F	1.81	1.50	1.99	2.10	2.08
TNL-16-F-2-02	TNL-16-M-2-02		316 SS	4,000 PSI	1" NPT M	1.81	1.50	1.99	2.39	2.31
TNL-20-F	TNL-20-M	1 1/4"	STEEL	5,000 PSI	1 1/4" NPT F	2.00	1.88	2.19	2.28	2.22
TNL-20-F-02	TNL-20-M-02		STEEL	5,000 PSI	1 1/4" NPT M	2.00	1.88	2.19	2.78	2.14
TNL-20-F-5	TNL-20-M-5		BRASS	1,000 PSI	1 1/4" NPT F	2.00	1.88	2.19	2.28	2.22
TNL-20-F-5-02	TNL-20-M-5-02		BRASS	1,000 PSI	1 1/4" NPT M	2.00	1.88	2.19	2.78	2.14
TNL-20-F-2	TNL-20-M-2		316 SS	3,000 PSI	1 1/4" NPT F	2.00	1.88	2.19	2.28	2.22
TNL-20-F-2-02	TNL-20-M-2-02		316 SS	3,000 PSI	1 1/4" NPT M	2.00	1.88	2.19	2.78	2.14
TNL-24-F	TNL-24-M	1 1/2"	STEEL	5,000 PSI	1 1/2" NPT F	2.50	2.13	2.74	2.57	2.44
TNL-24-F-02	TNL-24-M-02		STEEL	5,000 PSI	1 1/2" NPT M	2.50	2.13	2.74	3.08	2.34
TNL-24-F-5	TNL-24-M-5		BRASS	1,000 PSI	1 1/2" NPT F	2.50	2.13	2.74	2.57	2.44
TNL-24-F-5-02	TNL-24-M-5-02		BRASS	1,000 PSI	1 1/2" NPT M	2.50	2.13	2.74	3.08	2.34
TNL-24-F-2	TNL-24-M-2		316 SS	3,000 PSI	1 1/2" NPT F	2.50	2.13	2.74	2.57	2.44
TNL-24-F-2-02	TNL-24-M-2-02		316 SS	3,000 PSI	1 1/2" NPT M	2.50	2.13	2.74	3.08	2.34
TNL-32-F	TNL-32-M	2"	STEEL	4,000 PSI	2" NPT F	3.25	2.75	3.56	2.48	2.60
TNL-32-F-02	TNL-32-M-02		STEEL	4,000 PSI	2" NPT M	3.25	2.50	3.56	3.10	2.74
TNL-32-F-5	TNL-32-M-5		BRASS	750 PSI	2" NPT F	3.25	2.75	3.56	2.48	2.60
TNL-32-F-5-02	TNL-32-M-5-02		BRASS	750 PSI	2" NPT M	3.25	2.50	3.56	3.10	2.74
TNL-32-F-2	TNL-32-M-2		316 SS	1,000 PSI	2" NPT F	3.25	2.75	3.56	2.48	2.60
TNL-32-F-2-02	TNL-32-M-2-02		316 SS	1,000 PSI	2" NPT M	3.25	2.50	3.56	3.10	2.74

NOTE: SAE THREADS AVAILABLE – CONTACT FACTORY FOR DETAILS

PERFORMANCE:



NOTE: THIS CHART REPRESENTS A VALVED COUPLER AND NON-VALVED PLUG.

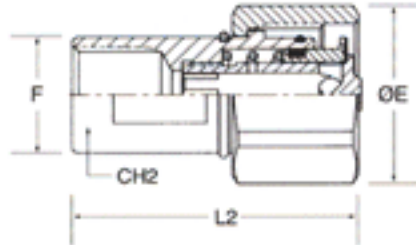
NOTE: ABOVE CHART ALSO REPRESENTS BRASS AND STAINLESS STEEL PRESSURE DROP PERFORMANCE.

FOR SPECIFIC BURST PRESSURE AND FLUID SPILLAGE OF EACH PART, PLEASE CONTACT PCI FOR DETAILS.

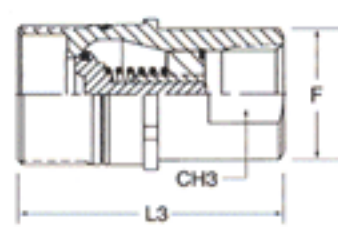
FB SERIES WING NUT/HEX NUT – WET LINE COUPLINGS

HEX STYLE

COUPLER

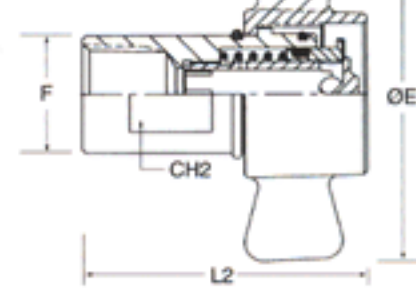


PLUG

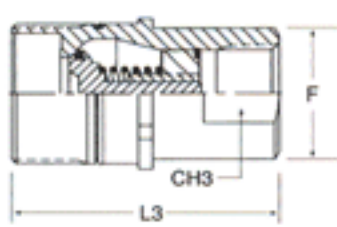


WING STYLE

COUPLER



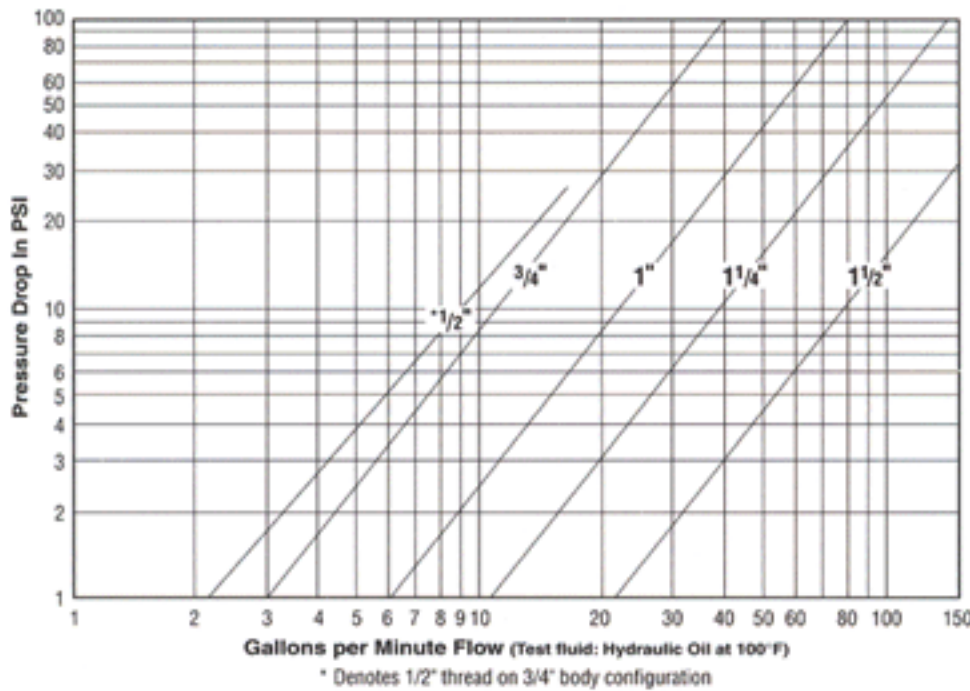
PLUG



SEE INTERCHANGE ON PAGE 32

COUPLER PART NUMBER	PLUG PART NUMBER	NOMINAL SIZE	MATERIAL	WORKING PRESSURE	THREAD F	CH2	CH3	OE	L2	L3
FB-08-F	FB-08-M	3/4"	BRASS	3000 PSI	1/2" NPTF	1.15	1.31	4.06	3.09	3.10
FB-08-F-H						1.15	1.31	1.92	3.09	3.10
FB-12-F	FB-12-M	3/4"	BRASS	3000 PSI	3/4" NPTF	1.15	1.31	4.06	3.09	3.10
FB-12-F-H						1.15	1.31	1.92	3.09	3.10
FB-16-F	FB-16-M	1"	BRASS	3000 PSI	1" NPTF	1.44	1.56	4.45	3.78	3.55
FB-16-F-H						1.44	1.56	2.33	3.78	3.55
FB-20-F	FB-20-M	1 1/4"	BRASS	2750 PSI	1 1/4" NPTF	1.78	1.88	5.20	3.97	3.71
FB-20-F-H						1.78	1.88	2.74	3.97	3.71
FB-24-F	FB-24-M	1 1/2"	BRASS	2500 PSI	1 1/2" NPTF	2.00	2.00	5.25	4.06	4.06
FB-24-F-H						2.00	2.00	3.01	4.06	4.06

PERFORMANCE:



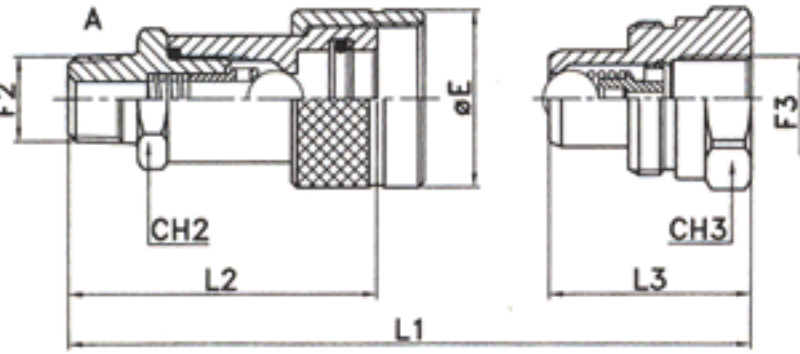
ACCESSORIES – DUST PROTECTORS

NOMINAL SIZE	DUST PROTECTORS FOR PLUG	DUST PROTECTORS FOR COUPLER	MATERIAL
3/4"	FBF-12	FBM-12	BRASS
1"	FBF-16	FBM-16	BRASS
1 1/4"	FBF-20	FBM-20	BRASS
1 1/2"	FBF-24	FBM-24	BRASS

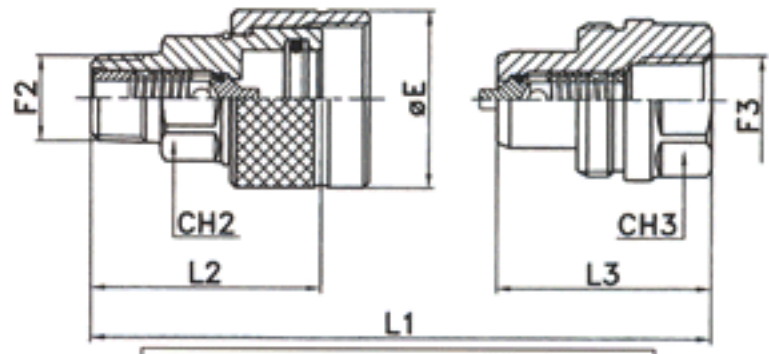


PVV SERIES CONNECT UNDER PRESSURE HIGH PRESSURE QUICK COUPLINGS

BALL STYLE



POPPET STYLE



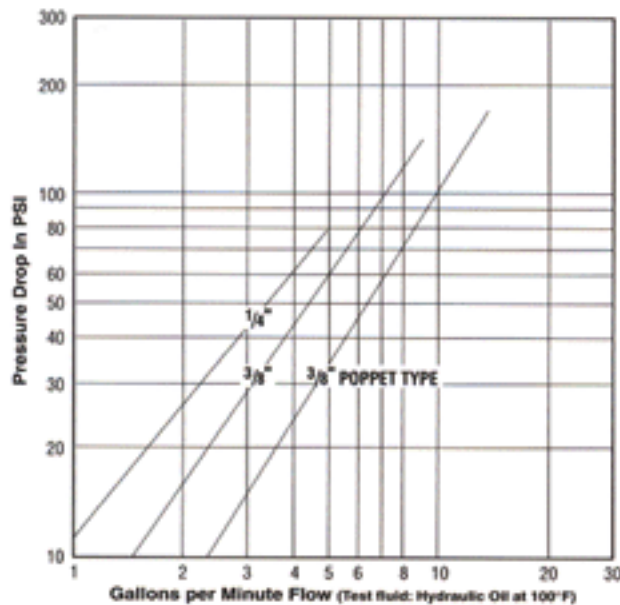
SEE INTERCHANGE ON PAGE 32

COUPLER PART NUMBER	PLUG PART NUMBER	NOMINAL SIZE	MATERIAL	WORKING PRESSURE	F2	F3	CH2	CH3	ØE	L1	L2	L3
PVV-14-F	PVV-14-M	1/4"	STEEL	10,000 PSI	1/4" NPTM	1/4" NPTF	.87	.75	1.18	3.19	2.09	1.54
PVV-38-F	PVV-38-M	3/8"	STEEL	10,000 PSI	3/8" NPTM	3/8" NPTF	.95	1.26	1.38	3.50	2.54	1.59
PVVP-38-F	PVVP-38-M	3/8"	STEEL	14,500 PSI	3/8" NPTM	3/8" NPTF	1.06	.87	1.38	2.85	1.81	1.67

TECHNICAL DATA

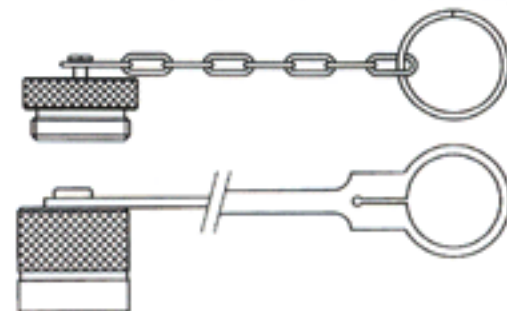
NOMINAL SIZE	MATERIAL	RATED FLOW	MINIMUM BURST PLUG	MINIMUM BURST COUPLER	MINIMUM BURST CONNECTED	FLUID SPILLAGE
1/4" BALL TYPE	STEEL	1.26 GPM	22,330 PSI	26,390 PSI	32,480 PSI	0.2 cc
3/8" BALL TYPE	STEEL	2.26 GPM	22,620 PSI	31,465 PSI	29,000 PSI	0.6 cc
3/8" POPPET TYPE	STEEL	2.53 GPM	58,000 PSI	58,000 PSI	58,000 PSI	1.7 cc

PERFORMANCE:



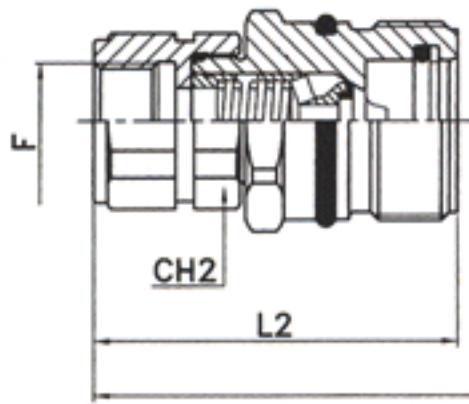
ACCESSORIES – DUST PROTECTORS

NOMINAL SIZE	DUST PROTECTOR FOR PLUG	DUST PROTECTOR FOR COUPLER	MATERIAL
1/4"	TFP-14	TMP-14	STEEL/RUBBER
3/8"	TFP-38	TMP-38	STEEL/RUBBER

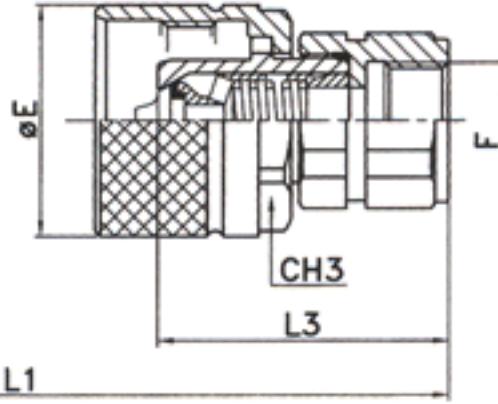


VVP SERIES HIGH PRESSURE CONNECT UNDER PRESSURE QUICK COUPLINGS

COUPLER HALF



PLUG HALF



DIRECT INTERCHANGE TO:

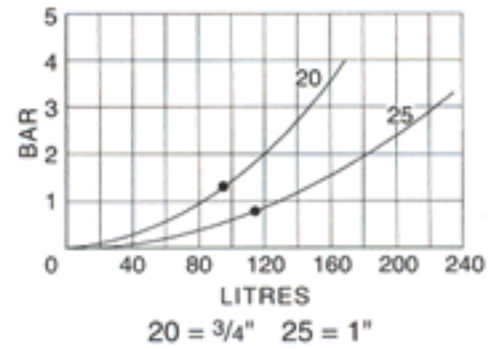
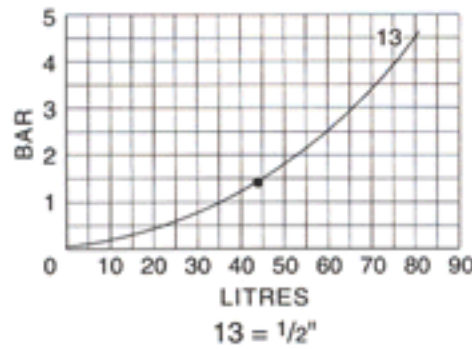
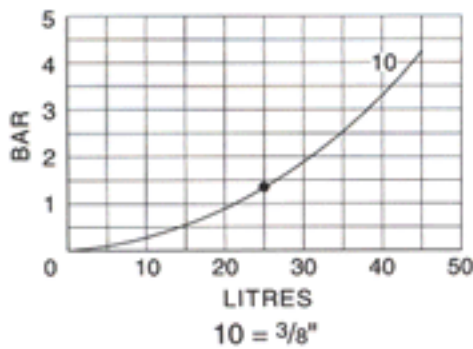
NAME	SERIES
FASTER	CVV

COUPLER PART NUMBER	PLUG PART NUMBER	NOMINAL SIZE	MATERIAL	WORKING PRESSURE	THREAD F	CH2	CH3	OE	L1	L2	L3
VVP-38-14-F	VVP-38-14-M	3/8"	STEEL	6525 PSI	1/4" NPTF	.87	.87	1.34	3.86	2.52	1.93
VVP-38-38-F	VVP-38-38-M	3/8"	STEEL	6525 PSI	3/8" NPTF	.87	.87	1.34	3.86	2.52	1.93
VVP-12-38-F	VVP-12-38-M	1/2"	STEEL	5800 PSI	3/8" NPTF	1.18	1.18	1.65	4.29	2.76	2.21
VVP-12-12-F	VVP-12-12-M	1/2"	STEEL	5800 PSI	1/2" NPTF	1.18	1.18	1.65	4.29	2.76	2.21
VVP-34-12-F	VVP-34-12-M	3/4"	STEEL	5800 PSI	1/2" NPTF	1.42	1.42	1.87	5.08	3.31	2.60
VVP-34-34-F	VVP-34-34-M	3/4"	STEEL	5800 PSI	3/4" NPTF	1.42	1.42	1.87	5.20	3.39	2.64
VVP-1-34-F	VVP-1-34-M	1"	STEEL	4350 PSI	3/4" NPTF	1.61	1.61	2.17	5.98	3.94	3.07
VVP-1-1-F	VVP-1-1-M	1"	STEEL	4350 PSI	1" NPTF	1.61	1.61	2.17	5.98	3.94	3.07

TECHNICAL DATA

NOMINAL SIZE	MATERIAL	RATED FLOW	MINIMUM BURST PLUG	MINIMUM BURST COUPLER	MINIMUM BURST CONNECTED	FLUID SPILLAGE
3/8"	STEEL	6.58 GPM	21,750 PSI	42,418 PSI	29,000 PSI	1.4 cc
1/2"	STEEL	11.32 GPM	18,850 PSI	20,300 PSI	21,170 PSI	2.7 cc
3/4"	STEEL	24.47 GPM	27,400 PSI	21,170 PSI	21,460 PSI	9.3 cc
1"	STEEL	29.74 GPM	15,660 PSI	15,950 PSI	15,515 PSI	16.0 cc

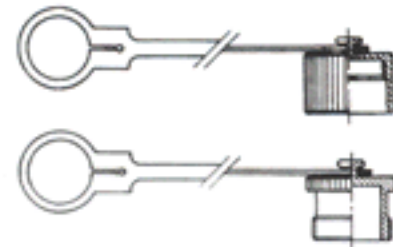
PERFORMANCE:



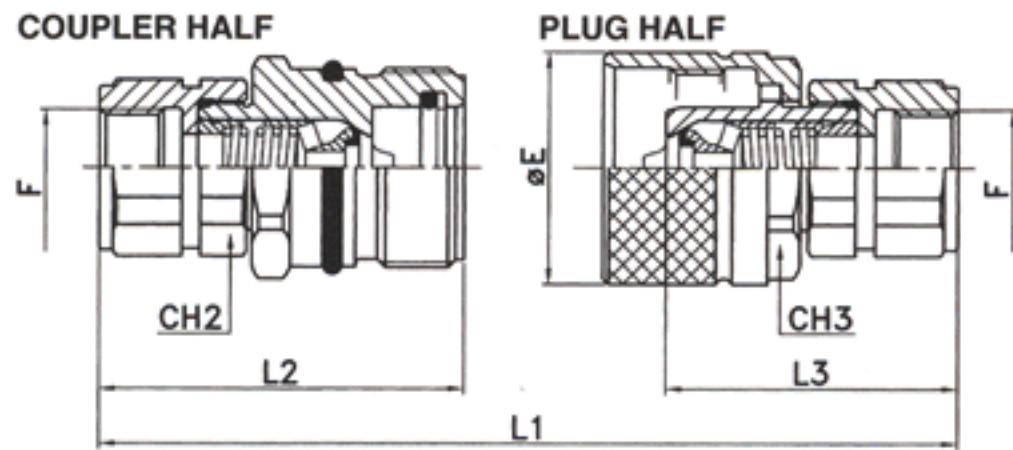
NOTE: 1 BAR = 14.5 PSI 3.8 LITERS = 1 US GALLON

ACCESSORIES - DUST PROTECTORS

NOMINAL SIZE	DUST PROTECTOR FOR PLUG	DUST PROTECTOR FOR COUPLER	COLOR	MATERIAL
3/8"	VVF-38-R	VVM-38-R	RED	POLYETHYLENE
1/2"	VVF-12-R	VVM-12-R	RED	POLYETHYLENE
3/4"	VVF-34-R	VVM-34-R	RED	POLYETHYLENE
1"	VVF-1-R	VVM-1-R	RED	POLYETHYLENE



VVX SERIES HIGH PRESSURE STAINLESS CONNECT UNDER PRESSURE QUICK COUPLINGS

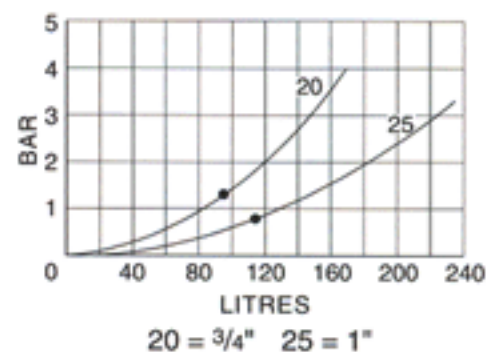
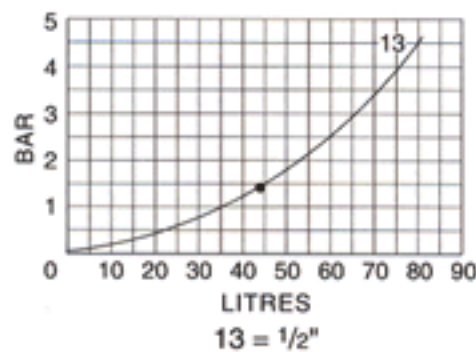
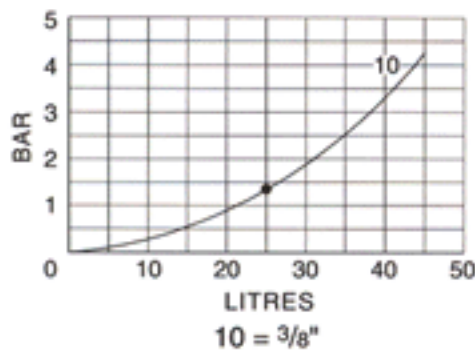


COUPLER PART NUMBER	PLUG PART NUMBER	NOMINAL SIZE	MATERIAL	WORKING PRESSURE	THREAD F2 / F3	CH2	CH3	ØE	L1	L2	L3
VVX-38-F-2	VVX-38-M-2	3/8"	316 SS	5075 PSI	3/8" NPT	.87	.87	1.34	3.86	2.52	1.93
VVX-12-F-2	VVX-12-M-2	1/2"	316 SS	4350 PSI	1/2" NPT	1.18	1.18	1.65	4.29	2.76	2.21
VVX-34-F-2	VVX-34-M-2	3/4"	316 SS	4350 PSI	3/4" NPT	1.42	1.42	1.87	5.20	3.39	2.64
VVX-1-F-2	VVX-1-M-2	1"	316 SS	3625 PSI	1" NPT	1.61	1.61	2.17	5.98	3.94	3.07

TECHNICAL DATA

NOMINAL SIZE	MATERIAL	RATED FLOW	MINIMUM BURST PLUG	MINIMUM BURST COUPLER	MINIMUM BURST CONNECTED	FLUID SPILLAGE
3/8"	316 SS	6.57 GPM	42,000 PSI	42,000 PSI	42,000 PSI	1.4 cc
1/2"	316 SS	11.32 GPM	19,000 PSI	20,300 PSI	20,000 PSI	2.7 cc
3/4"	316 SS	24.47 GPM	20,000 PSI	20,000 PSI	20,000 PSI	9.3 cc
1"	316 SS	29.74 GPM	15,000 PSI	15,000 PSI	15,000 PSI	16 cc

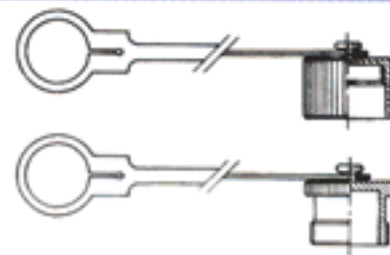
PERFORMANCE:



NOTE: 1 BAR = 14.5 PSI 3.8 LITERS = 1 US GALLON

ACCESSORIES - DUST PROTECTORS

NOMINAL SIZE	DUST PROTECTOR FOR PLUG	DUST PROTECTOR FOR COUPLER	COLOR	MATERIAL
3/8"	VVF-38-R	VVM-38-R	RED	POLYETHYLENE
1/2"	VVF-12-R	VVM-12-R	RED	POLYETHYLENE
3/4"	VVF-34-R	VVM-34-R	RED	POLYETHYLENE
1"	VVF-1-R	VVM-1-R	RED	POLYETHYLENE



HYDRAULIC QUICK COUPLING INTERCHANGE GUIDE

HNV SERIES

SIZE	PCI	PARKER	AEROQUIP	FASTER	SAFEWAY	SNAP-TITE
1/8"	HNV-18-F	H1-62	FD45-1003-2-2	HNV-18-NPT-F	S 105-1	72C2-2F
	HNV-18-M	H1-63	FD45-1002-2-2	HNV-18-NPT-M	S 101-1	72N2-2F
	HNV-18-F-5	BH1-60	FD45-1101-2-2	HNV-18-NPT-F-5	BS 105-1	B72C2-2F
	HNV-18-M-5	BH1-61	FD45-1086-2-2	HNV-18-NPT-M-5	BS 101-1	B72N2-2F
	HNV-18-F-2	SH1-62	—	HNV-18-NPT-F-2	SS 105-1	—
	HNV-18-M-2	SH1-63	—	HNV-18-NPT-M-2	SS 101-1	—
1/4"	HNV-14-F	H2-62	FD45-1003-4-4	HNV-14-NPT-F	S 105-2	72C4-4F
	HNV-14-M	H2-63	FD45-1002-4-4	HNV-14-NPT-M	S 101-2	72N4-4F
	HNV-14-F-5	BH2-60	FD45-1101-4-4	HNV-14-NPT-F-5	S 105-3	B72C4-4F
	HNV-14-M-5	BH2-61	FD45-1086-4-4	HNV-14-NPT-M-5	S 101-3	B72N4-4F
	HNV-14-F-2	SH2-62	FD45-1005-4-4	HNV-14-NPT-F-5	SS 105-2	S72C4-4F
	HNV-14-M-2	SH2-63	FD45-1004-4-4	HNV-14-NPT-M-5	SS 101-2	S72N4-4F
3/8"	HNV-38-F	H3-62	FD45-1003-6-6	HNV-38-NPT-F	S 105-3	72C6-6F
	HNV-38-M	H3-63	FD45-1002-6-6	HNV-38-NPT-M	S 101-3	72N6-6F
	HNV-38-F-5	BH3-60	FD45-1101-6-6	HNV-38-NPT-F-5	BS 105-3	B72C6-6F
	HNV-38-M-5	BH3-61	FD45-1086-6-6	HNV-38-NPT-M-5	BS 101-3	B72N6-6F
	HNV-38-F-2	SH3-62	FD45-1005-6-6	HNV-38-NPT-F-2	SS 105-3	S72C6-6F
	HNV-38-M-2	SH3-63	FD45-1004-6-6	HNV-38-NPT-M-2	SS 101-3	S72N6-6F
1/2"	HNV-12-F	H4-62	FD45-1003-08-10	HNV-12-NPT-F	S 105-4	72C8-8F
	HNV-12-M	H4-63	FD45-1002-08-10	HNV-12-NPT-M	S 101-4	72N8-8F
	HNV-12-F-5	BH4-60	FD45-1101-08-10	HNV-12-NPT-F-5	BS 105-4	B72C8-8F
	HNV-12-M-5	BH4-61	FD45-1086-08-10	HNV-12-NPT-M-5	BS 101-4	B72N8-8F
	HNV-12-F-2	SH4-62	FD45-1005-08-10	HNV-12-NPT-F-2	SS 105-4	S72C8-8F
	HNV-12-M-2	SH4-63	FD45-1004-08-10	HNV-12-NPT-M-2	SS 101-4	S72N8-8F
3/4"	HNV-34-F	H6-62	FD45-1003-12-12	HNV-34-NPT-F	S 105-6	72C12-12F
	HNV-34-M	H6-63	FD45-1002-12-12	HNV-34-NPT-M	S 101-6	72N12-12F
	HNV-34-F-5	BH6-60	FD45-1101-12-12	HNV-34-NPT-F-5	BS 105-6	B72C12-12F
	HNV-34-M-5	BH6-61	FD45-1086-12-12	HNV-34-NPT-M-5	BS 101-6	B72N12-12F
	HNV-34-F-2	SH6-62	FD45-1005-12-12	HNV-34-NPT-F-2	SS 105-6	S72C12-12F
	HNV-34-M-2	SH6-63	FD45-1004-12-12	HNV-34-NPT-M-2	SS 101-6	S72N12-12F
1"	HNV-1-F	H8-62	FD45-1003-16-16	HNV-1-NPT-F	S 105-8	72C16-16F
	HNV-1-M	H8-63	FD45-1002-16-16	HNV-1-NPT-M	S 101-8	72N16-16F
	HNV-1-F-5	BH8-60	FD45-1101-16-16	HNV-1-NPT-F-5	BS 105-8	B72C16-16F
	HNV-1-M-5	BH8-61	FD45-1086-16-16	HNV-1-NPT-M-5	BS 101-8	B72N16-16F
	HNV-1-F-2	SH8-62	FD45-1005-16-16	HNV-1-NPT-F-2	SS 105-8	S72C16-16F
	HNV-1-M-2	SH8-63	FD45-1004-16-16	HNV-1-NPT-M-2	SS 101-8	S72N16-16F
1 1/4"	HNV-114-F	—	—	—	—	—
	HNV-114-M	—	—	—	—	—
	HNV-114-F-5	—	FD45-1101-20-20	—	—	—
	HNV-114-M-5	—	FD45-1086-20-20	—	—	—
	HNV-114-F-2	—	—	—	—	—
	HNV-114-M-2	—	—	—	—	—
1 1/2"	HNV-112-F	H12-62N	—	HNV-112-NPT-F	—	—
	HNV-112-M	H12-63N	—	HNV-112-NPT-M	—	—
	HNV-112-F-5	BH12-60N	—	HNV-112-NPT-F-5	—	—
	HNV-112-M-5	BH12-61N	—	HNV-112-NPT-M-5	—	—
	HNV-112-F-2	SH12-62N	—	HNV-112-NPT-F-2	—	—
	HNV-112-M-2	SH12-63N	—	HNV-112-NPT-M-2	—	—

CONTINUED

HYDRAULIC QUICK COUPLING INTERCHANGE GUIDE

HNV SERIES CONTINUED

SIZE	PCI	PARKER	AEROQUIP	FASTER	SAFEWAY	SNAP-TITE
2 1/2"	HNV-2-F	H2016-62	—	HNV-2-NPT-F	—	—
	HNV-2-M	H2016-63	—	HNV-2-NPT-M	—	—
	HNV-2-F-5	BH2016-60	—	HNV-2-NPT-F-5	—	—
	HNV-2-M-5	BH2016-61	—	HNV-2-NPT-M-5	—	—
	HNV-2-F-2	SH2016-62	—	HNV-2-NPT-F-2	—	—
	HNV-2-M-2	SH2016-63	—	HNV-2-NPT-M-2	—	—
	HNV-212-F	H2020-62	—	HNV-2-212-F	—	—
	HNV-212-M	H2020-63	—	HNV-2-212-M	—	—
	HNV-212-F-5	BH2020-60	—	HNV-2-212-F-5	—	—
	HNV-212-M-5	BH2020-61	—	HNV-2-212-M-5	—	—
	HNV-212-F-2	SH2020-62	—	HNV-2-212-F-2	—	—
	HNV-212-M-2	SH2020-63	—	HNV-2-212-M-2	—	—
	HNV-3-F	H2024-62	—	HNV-2-3-NPT-F	—	—
	HNV-3-M	H2024-63	—	HNV-2-3-NPT-M	—	—
	HNV-3-F-5	BH2024-60	—	HNV-2-3-NPT-F-5	—	—
	HNV-3-M-5	BH2024-61	—	HNV-2-3-NPT-M-5	—	—
	HNV-3-F-2	SH2024-62	—	HNV-2-3-NPT-F-2	—	—
	HNV-3-M-2	SH2024-63	—	HNV-2-3-NPT-M-2	—	—

ANV SERIES

SIZE	PCI	PARKER	AEROQUIP	FASTER	SAFEWAY	SNAP-TITE
1/4"	ANV-14-F	6601-4-4	5601-4-4S	ANV-14-NPT-F	S 565-2	61C4-4F
	ANV-14-M	6602-4-4	5602-4-4S	ANV-14-NPT-M	S 561-2	61N4-4F
	ANV-14-SAE-F	—	5608-4-4S	—	—	—
	ANV-14-SAE-M	—	5610-4-4S	—	—	—
3/8"	ANV-38-F	6601-6-6	5601-6-6S	ANV-38-NPT-F	S 565-3	61C6-6F
	ANV-38-M	6602-6-6	5602-6-6S	ANV-38-NPT-M	S 561-3	61N6-6F
	ANV-38-SAE-F	6608-6-6	5608-6-6S	ANV-38-38-SAE-F	S 565-3-6	—
	ANV-38-SAE-M	6610-6-6	5610-6-6S	ANV-38-38-SAE-M	S 561-3-6	—
1/2"	NV-12-F	6601-8-10	5601-8-10S	NV-12-NPT-F	S 565-4	61C8-8F
	NV-12-M	6602-8-10	5602-8-10S	NV-12-NPT-M	S 561-4	61N8-8F
	NV-12-UNF-F	6608-8-10	5608-8-10S	5608-8-10S	S 565-4-8	—
	2NV-12-UNF-M	6610-8-10	5610-8-10S	5610-8-10S	S 561-4-8	—
3/4"	ANV-34-F	6601-12-12	5601-12-12S	ANV-34-NPT-F	S 565-6	61C12-12F
	ANV-34-M	6602-12-12	5602-12-12S	ANV-34-NPT-M	S 561-6	61N12-12F
	ANV-34-SAE-F	6608-12-12	5608-12-12S	ANV-34-34-SAE-F	S 565-6-12	—
	ANV-34-SAE-M	6610-12-12	5610-12-12S	ANV-34-34-SAE-M	S 561-6-12	—
1"	ANV-1-F	6601-16-16	5601-16-16S	ANV-1-NPT-F	S 565-8	61C16-16F
	ANV-1-M	6602-16-16	5602-16-16S	ANV-1-NPT-M	S 561-8	61N16-16F
	ANV-1-SAE-F	6608-16-16	5608-16-16S	ANV-1-1-SAE-F	S 565-8-16	—
	ANV-1-SAE-M	6610-16-16	5610-16-16S	ANV-1-1-SAE-M	S 561-8-16	—
1 1/4"	ANV-114-F	—	—	ANV-114-NPT-F	—	—
	ANV-114-M	—	—	ANV-114-NPT-M	—	—
1 1/2"	ANV-112-F	—	—	ANV-112-NPT-F	—	—
	ANV-112-M	—	—	ANV-112-NPT-M	—	—
2"	ANV-2-F	—	—	ANV-2-NPT-F	—	—
	ANV-2-M	—	—	ANV-2-NPT-M	—	—

HYDRAULIC QUICK COUPLING INTERCHANGE GUIDE

FB SERIES

SIZE	PCI	PARKER	AEROQUIP	FASTER	SAFEWAY	SNAP-TITE
3/4"	FB-08-F	6125-08	5100S5-10B	—	—	B78C12-8F
	FB-08-F-H	6135-08	5110S5-10B	—	—	B78HC12-8F
	FB-08-M	6105-08	5100S2-10B	—	—	B78N12-8F
	FB-12-F	6125-12	5100S5-12B	FB-12/34-NPT-F-5	S515W-6	B78C12-12F
	FB-12-F-H	6135-12	5110S5-12B	—	—	B78HC12-12F
	FB-12-M	6105-12	5100S2-12B	FB-12/34-NPT-M-5	S511-6	B78N12-12F
1"	FB-16-F	6125-16	5100S5-16B	FB-16/1-NPT-F-5	S515W-8	B78C16-16F
	FB-16-F-H	6135-16	5110S5-16B	—	—	B78HC16-16F
	FB-16-M	6105-16	5100S2-16B	FB-16/1-NPT-M-5	S511-8	B78N16-16F
1 1/4"	FB-20-F	6125-20	5100S5-20B	FB-20/114-NPT-F-5	S515W-10	B78C20-20F
	FB-20-F-H	6135-20	5110S5-20B	—	—	B78HC20-20F
	FB-20-M	6105-20	5100S2-20B	FB-20/114-NPT-M-5	S511-10	B78N20-20F
1 1/2"	FB-24-F	6125-24	5100S5-24B	FB-24/112-NPT-F-5	—	B78C24-24F
	FB-24-F-H	6135-24	5110S5-24B	—	—	B78HC24-24F
	FB-24-M	6105-24	5100S2-24B	FB-24/112-NPT-M-5	—	B78N24-24F

PVV SERIES

SIZE	PCI	PARKER	AEROQUIP	FASTER	SAFEWAY	SNAP-TITE
1/4"	PVV-14-F	3050-2	—	PVVM-1/14-NPT-F	S35-2P (POPPET)	—
	PVV-14-M	3010-2	—	PVVM-14-NPT-M	S31-2P (POPPET)	—
3/8"	PVV-38-F	3050-3	—	PVVM-1/38-NPT-F	—	—
	PVV-38-M	3010-3	—	PVVM-38-NPT-M	—	—
	PVVP-38-F	—	—	—	S35-3P	—
	PVVP-38-M	—	—	—	S31-3P	—

NS/PS SERIES

SIZE	PCI	PARKER	AEROQUIP	FASTER	SAFEWAY	SNAP-TITE
1/4"	NS-14-F	4050-2	—	NS-14-NPT-F	S25A-2	21C4-4F
	NS-14-M	4010-2	—	NS-14-NPT-M	S41-2	21C4-4M
3/8"	NS-38-F	4050-3	—	NS-38-NPT-F	S45-2	21C6-6F
	NS-38-M	4010-3	—	NS-38-NPT-M	S41-2	21C6-6M
1/2"	NS-12-F	4050-4	—	NS-12-NPT-F	S25-4	61C8-8F
	2NS-12-M	8010-4	—	2NS-12-NPT-M	S71-4	61N8-8M
	PS-12-F	4250-4	—	PS-12-NPT-F	S45-4	610C8-8M
3/4"	NS-34-F	—	—	NS-34-NPT-F	—	—
	NS-34-M	—	—	NS-34-NPT-M	—	—
	NSP-34-F	4150-5	—	NSP-34-NPT-F	S25F-6	—
	NSP-34-M	4110-5	—	NSP-34-NPT-M	S21F-6	—

NV/PV SERIES

SIZE	PCI	PARKER	AEROQUIP	FASTER	SAFEWAY	SNAP-TITE
1/4"	NV-14-F	4050-2P	FD42-1001-04-04	NV-14-NPT-F	S25A-2P	—
	NV-14-M	4010-2P	FD42-1002-04-04	NV-14-NPT-M	S41-2P	—

CONTINUED

HYDRAULIC QUICK COUPLING INTERCHANGE GUIDE

NV/PV SERIES CONTINUED

SIZE	PCI	PARKER	AEROQUIP	FASTER	SAFEWAY	SNAP-TITE
3/8"	NV-38-F	4050-3P	—	NV-38-NPT-F	S25-3P	—
	NV-38-M	4010-3P	—	NV-38-NPT-M	S21-3P	—
1/2"	NV-12-F	4050-4P	5601-8-10S	NV-12-NPT-F	S25-4P	—
	NV-12-M	8010-4P	5602-8-10S	NV-12-NPT-M	—	—
	NV-12-UNF-F	4050-15P	5608-8-10S	NV-12/34-UNF-F	—	—
	2NV-12-UNF-M	8010-15P	5610-8-10S	2NV-12/34-UNF-M	S71-15P	—
	PV-12-F	4250-4P	FD72-1001-08-10	PV-12-NPT-F	S45-4P	—
	2NV-12-M	8010-4P	FD76-1002-08-10	2NV-12-NPT-M	S71-4P	—
	PV-12/34-F	4050-5	5601-12-10S	MV-34-NPT-F	—	—
	PV-12/34-M	4010-5	5602-12-10S	MV-34-NPT-M	—	—
	PV-12-UNF-F	—	—	PV-12/34-UNF-F	—	—
	PV-12-UNF-F-02	—	—	CPV-1/34-UNF-F	—	—
2NV-12-UNF-M-02	—	—	CNV-1/34-UNF-M	—	—	
3/4"	NV-34-F	—	—	NV-34-NPT-F	—	—
	NV-34-M	—	—	NV-34-NPT-M	—	—
1"	NV-1-F	4050-6P	—	NV-1-NPT-F	S25-8P	—
	NV-1-M	4010-6P	—	NV-1-NPT-M	S21-8P	—

FF SERIES

ISO SIZE	SIZE	PCI	PARKER	AEROQUIP	FASTER	SAFEWAY	HOLMBURY
5	1/8"	FF02-N18F	—	—	—	—	—
		FF02-N18-M	—	—	—	—	—
6.3	1/4"	FF04-N14F	—	FD89-1001-04-04	2FFI-14-NPT-F	—	FIMC-14-NPT-1/4"-F
		FF04-N14M	—	FD89-1002-04-04	2FFI-14-NPT-M	—	FIMC-14-NPT-1/4"-M
		FF04-S916F	—	—	2FFI-14-38-SAE-F	—	FIMC-14-SAE-9/16"-F
		FF04-S916M	—	—	2FFI-14-38-SAE-M	—	FIMC-14-SAE-9/16"-M
10	3/8"	FF06-N38F	FF371-6FP	FD89-1001-06-06	2FFN-38-NPT-F	FF495-3	FIMC-38-NPT-3/8"-F
		FF06-N38M	FF372-6FP	FD89-1002-06-06	2FFN-38-NPT-M	FF491-3	FIMC-38-NPT-3/8"-M
		FF06-N12F	FF371-8FP	FD89-1001-08-08	2FFN-38-12-NPT-F	FF495-4	FIMC-38-NPT-1/2"-F
		FF06-N12M	FF372-8FP	FD89-1002-08-08	2FFN-38-12-NPT-M	FF491-4	FIMC-38-NPT-1/2"-M
		FF06-S916F	—	—	—	—	FIMC-38-SAE-9/16"-F
		FF06-S916M	—	—	—	—	FIMC-38-SAE-9/16"-M
		FF06-S34F	—	—	2FFN-38-12-SAE-F	FF495-3-8	FIMC-38-SAE-3/4"-F
		FF06-S34M	—	—	2FFN-38-12-SAE-M	FF491-3-8	FIMC-38-SAE-3/4"-M
12.5	1/2"	FF08-N12F	FE501-8FP	FD89-1001-08-08	2FFI-12-NPT-F	—	FIMC-34-NPT-1/2"-F
		FF08-N12M	FE502-8FP	FD89-1002-08-08	2FFI-12-NPT-M	—	FIMC-34-NPT-1/2"-M
		FF08-N34F	FE501-12FP	FD89-1001-12-08	2FFI-12-34-NPT-F	FF495-6	FIMC-34-NPT-3/4"-F
		FF08-N34M	FE502-12FP	FD89-1002-12-08	2FFI-12-34-NPT-M	FF491-6	FIMC-34-NPT-3/4"-M
		FF08-S34F	—	—	2FFI-12-12-SAE-F	—	FIMC-34-SAE-3/4"-F
		FF08-S34M	—	—	2FFI-12-12-SAE-M	—	FIMC-34-SAE-3/4"-M

CONTINUED

HYDRAULIC QUICK COUPLING INTERCHANGE GUIDE

FF SERIES CONTINUED

ISO SIZE	SIZE	PCI	PARKER	AEROQUIP	FASTER	SAFEWAY	HOLMBURY
12.5	1/2"	FF08-S78F	FE501-10FO	—	2FFI-12-58-SAE-F	—	FIMC-34-SAE-7/8"-F
		FF08-S78M	FE502-10FO	—	2FFI-12-58-SAE-M	—	FIMC-34-SAE-7/8"-M
		FF08-S1116F	FE501-12FO	—	2FFI-12-34-SAE-F	FF495-6-12	FIMC-34-SAE-11/16"-F
		FF08-S1116M	FE502-12FO	—	2FFI-12-34-SAE-M	FF491-6-12	FIMC-34-SAE-11/16"-M
16	5/8"	FF10-N12F	—	—	2FFI-58-NPT-F	—	FIMC-34B-NPT-1/2"-F
		FF10-N12M	—	—	2FFI-58-NPT-M	—	FIMC-34B-NPT-1/2"-M
		FF10-N34F	—	—	2FFI-58-34-NPT-F	—	FIMC-34B-NPT-3/4"-F
		FF10-N34M	—	—	2FFI-58-34-NPT-M	—	FIMC-34B-NPT-3/4"-M
		FF10-S34F	—	—	—	—	—
		FF10-S34M	—	—	—	—	—
		FF10-S78F	—	—	2FFI-58-58-SAE-F	—	—
		FF10-S78M	—	—	2FFI-58-58-SAE-M	—	—
		FF10-S1116F	FE621-12FO	—	2FFI-58-34-SAE-F	—	FIMC-34B-SAE-3/4"-F
FF10-S1116M	FE622-12FO	—	2FFI-58-34-SAE-M	—	FIMC-34B-SAE-3/4"-M		
19	3/4"	FF12-N34F	—	FD89-1001-12-12	2FFI-34-NPT-F	—	FIMC-100-NPT-3/4"-F
		FF12-N34M	—	FD89-1002-12-12	2FFI-34-NPT-M	—	FIMC-100-NPT-3/4"-M
		FF12-N1F	—	—	2FFI-34-1-NPT-F	—	FIMC-100-NPT-1"-F
		FF12-N1M	—	—	2FFI-34-1-NPT-M	—	FIMC-100-NPT-1"-M
		FF12-S1116F	—	—	2FFI-34-34-SAE-F	—	FIMC-100-SAE-11/16"-F
		FF12-S1116M	—	—	2FFI-34-34-SAE-M	—	FIMC-100-SAE-11/16"-M
		FF12-S1516F	—	—	2FFI-34-1-SAE-F	—	FIMC-100-SAE-15/16"-F
		FF12-S1516M	—	—	2FFI-34-1-SAE-M	—	FIMC-100-SAE-15/16"-M
25	1"	FF16-N114F	—	—	—	—	FIMC-114-NPT-11/4"-F
		FF16-N114M	—	—	—	—	FIMC-114-NPT-11/4"-M
		FF16-S5158F	—	—	—	—	FIMC-114-SAE-15/8"-F
		FF16-S5158M	—	—	—	—	FIMC-114-SAE-15/8"-M
40	1 1/2"	FF24-N112F	—	—	—	—	FIMC-112-NPT-1 1/2"-F
		FF24-N112M	—	—	—	—	FIMC-112-NPT-1 1/2"-M

3FF SERIES

ISO SIZE	SIZE	PCI	PARKER	AEROQUIP	FASTER	SAFEWAY	HOLMBURY
12.5	1/2"	3FF08-N12M	FEC-502-8FP	CP74-N8-8F	3FFI-12-NPT-M	—	APM-34-NPT-1/2"-M
		3FF08-N34M	—	—	3FFI-12-34-NM	—	APM-34-NPT-3/4"-M
		3FF08-S78M	FEC-502-10FO	—	3FFI-12-58-SAE-M	—	APM-34-SAE-7/8"-M
		3FF08-S1116M	FEC-752-12FO	—	3FFI-12-34-SAE-M	—	APM-34-SAE-11/16"-M
		3FF08-B12M	—	—	3FFI-12-GAS-M	—	APM-34-BSP-1/2"-M
		3FF08-B34M	—	—	3FFI-12-34-GAS-M	—	APM-34-BSP-3/4"-M

FFS SERIES

ISO SIZE	SIZE	PCI	PARKER	FASTER
6.3	1/4"	FFS04-N14F	—	2FFI-14-NPT-F-2
		FFS04-N14M	—	FFI-14-NPT-M-2
		FFS04-S16F	—	—
		FFS04-S16M	—	—
10	3/8"	FFS06-N38F	—	2FFN-38-NPT-F-2
		FFS06-N38M	—	FFN-38-NPT-M-2

CONTINUED

HYDRAULIC QUICK COUPLING INTERCHANGE GUIDE

FFS SERIES CONTINUED

ISO SIZE	SIZE	PCI	PARKER	FASTER
10	3/8"	FFS06-N12F	—	2FFN-38-12-NPT-F-2
		FFS06-N12M	—	FFN-38-12-NPT-M-2
		FFS06-S34F	—	—
		FFS06-S34M	—	—
12.5	1/2"	FFS08-N34F	FS-751-12FP*	2FFI-12-34-NPT-F-2
		FFS08-N34M	FS-752-12FP*	FFI-12-34-NPT-M-2
		FFS08-S1116F	FS-751-12FO*	—
		FFS08-S1116M	FS-752-12FO*	—
16	5/8"	FFS10-N34F	—	2FFI-58-34-N-F-2
		FFS10-N34M	—	FFI-58-34-N-M-2
		FFS10-S1116F	—	—
		FFS10-S1116M	—	—
19	3/4"	FFS12-N1F	FS-1001-16FP*	2FFI-34-1N-F-2
		FFS12-N1M	FS-1002-16FP*	FFI-34-1N-M-2
		FFS12-S1516F	FS-1001-16FO*	—
		FFS12-S1516M	FS-1002-16FO*	—
25	1"	FFS16-N114F	—	—
		FFS16-N114M	—	—
		FFS16-S158F	—	—
		FFS16-S158M	—	—

* NOT A DIRECT INTERCHANGE BUT MAY BE USED AS A REPLACEMENT.

TNV SERIES

SIZE	PCI	SNAP-TITE	FASTER
1/4"	TNV-04-F	VHC4-4F	TNV-04-NPT-F
	TNV-04-M	VHN4-4F	TNV-04-NPT-M
	TNV-04-F-5	BVHC4-4F	TNV-04-NPT-F-5
	TNV-04-M-5	BVHN4-4F	TNV-04-NPT-M-5
	TNV-04-F-2	SVHC4-4F	TNV-04-NPT-F-2
	TNV-04-M-2	SVHN4-4F	TNV-04-NPT-M-2
3/8"	TNV-06-F	VHC6-6F	TNV-06-NPT-F
	TNV-06-M	VHN6-6F	TNV-06-NPT-M
	TNV-06-F-5	BVHC6-6F	TNV-06-NPT-F-5
	TNV-06-M-5	BVHN6-6F	TNV-06-NPT-M-5
	TNV-06-F-2	SVHC6-6F	TNV-06-NPT-F-2
	TNV-06-M-2	SVHN6-6F	TNV-06-NPT-M-2
1/2"	TNV-08-F	VHC8-8F	TNV-08-NPT-F
	TNV-08-M	VHN8-8F	TNV-08-NPT-M
	TNV-08-F-5	BVHC8-8F	TNV-08-NPT-F-5
	TNV-08-M-5	BVHN8-8F	TNV-08-NPT-M-5
	TNV-08-F-2	SVHC8-8F	TNV-08-NPT-F-2
	TNV-08-M-2	SVHN8-8F	TNV-08-NPT-M-2
3/4"	TNV-12-F	VHC12-12F	TNV-12-NPT-F
	TNV-12-M	VHN12-12F	TNV-12-NPT-M
	TNV-12-F-5	BVHC12-12F	TNV-12-NPT-F-5
	TNV-12-M-5	BVHN12-12F	TNV-12-NPT-M-5
	TNV-12-F-2	SVHC12-12F	TNV-12-NPT-F-2
	TNV-12-M-2	SVHN12-12F	TNV-12-NPT-M-2

CONTINUED

PCI 1-800-322-9527

HYDRAULIC QUICK COUPLING INTERCHANGE GUIDE

TNV SERIES *CONTINUED*

SIZE	PCI	SNAP-TITE	FASTER
1"	TNV-16-F	VHC16-16F	TNV-16-NPT-F
	TNV-16-M	VHN16-16F	TNV-16-NPT-M
	TNV-16-F-5	BVHC16-16F	TNV-16-NPT-F-5
	TNV-16-M-5	BVHN16-16F	TNV-16-NPT-M-5
	TNV-16-F-2	SVHC16-16F	TNV-16-NPT-F-2
	TNV-16-M-2	SVHN16-16F	TNV-16-NPT-M-2
1 1/4"	TNV-20-F	VHC20-20F	TNV-20-NPT-F
	TNV-20-M	VHN20-20F	TNV-20-NPT-M
	TNV-20-F-5	BVHC20-20F	TNV-20-NPT-F-5
	TNV-20-M-5	BVHN20-20F	TNV-20-NPT-M-5
	TNV-20-F-2	SVHC20-20F	TNV-20-NPT-F-2
	TNV-20-M-2	SVHN20-20F	TNV-20-NPT-M-2
1 1/2"	TNV-24-F	VHC24-24F	TNV-24-NPT-F
	TNV-24-M	VHN24-24F	TNV-24-NPT-M
	TNV-24-F-5	BVHC24-24F	TNV-24-NPT-F-5
	TNV-24-M-5	BVHN24-24F	TNV-24-NPT-M-5
	TNV-24-F-2	SVHC24-24F	TNV-24-NPT-F-2
	TNV-24-M-2	SVHN24-24F	TNV-24-NPT-M-2
2"	TNV-32-F	VHC32-32F	TNV-32-NPT-F
	TNV-32-M	VHN32-32F	TNV-32-NPT-M
	TNV-32-F-5	BVHC32-32F	TNV-32-NPT-F-5
	TNV-32-M-5	BVHN32-32F	TNV-32-NPT-M-5
	TNV-32-F-2	SVHC32-32F	TNV-32-NPT-F-2
	TNV-32-M-2	SVHN32-32F	TNV-32-NPT-M-2

NOTE: NON-VALVED ALSO AVAILABLE FROM STOCK, CHANGE "TNV" TO "TNL". MALE THREADS ALSO AVAILABLE FROM STOCK, ADD "-02" TO END OF PART NUMBER. SEE PAGE 22, 24.