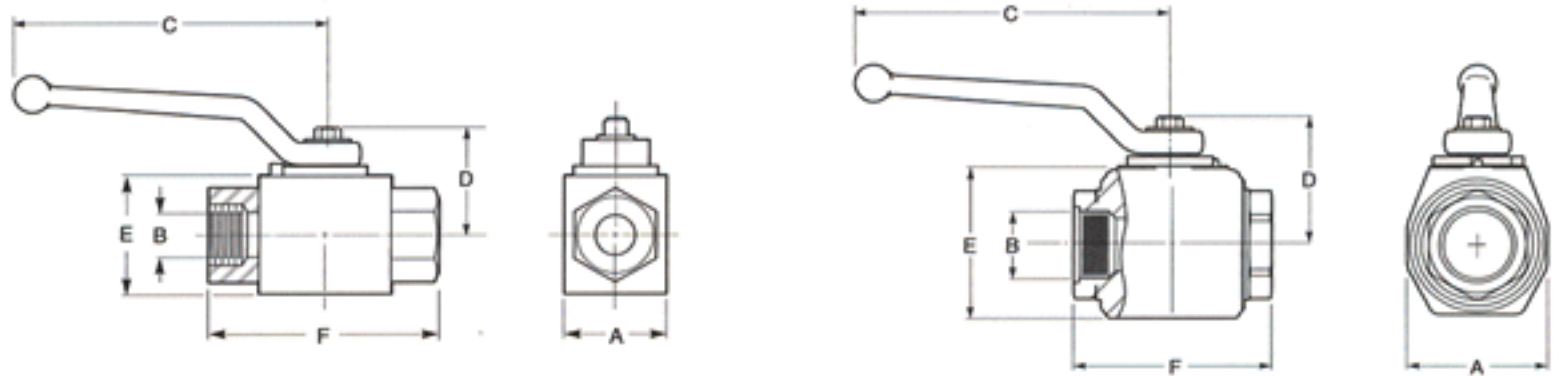


# BKH/SKH SERIES HIGH PRESSURE BALL VALVES – STEEL



PART NUMBER	NOMINAL SIZE	THREAD	WORKING PRESSURE	INCH DIMENSIONS					
				A	B	C	D	E	F
BKH-14-NPT-1125	1/4"	1/4" NPT F	7350 PSI						
BKH-14-BSP-1125	1/4"	1/4" BSP P	7350 PSI	1.02	.24	4.21	1.20	1.26	2.72
BKH-14-SAE-1125	1/4"	7/16-20 UNF	7350 PSI						
BKH-38-NPT-1125	3/8"	3/8" NPT F	7350 PSI						
BKH-38-BSP-1125	3/8"	3/8" BSP P	7350 PSI	1.26	.39	4.21	1.29	1.50	2.87
BKH-38-SAE-1125	3/8"	9/16-18 UNF	7350 PSI						
BKH-12-NPT-1125	1/2"	1/2" NPT F	7350 PSI						
BKH-12-BSP-1125	1/2"	1/2" BSP P	7350 PSI	1.38	.51	4.21	1.31	1.57	3.62
BKH-12-SAE-1125	1/2"	3/4-16 UNF	7350 PSI						
BKH-34-NPT-1125	3/4"	3/4" NPT F	5880 PSI						
BKH-34-BSP-1125	3/4"	3/4" BSP P	5880 PSI	1.93	.79	6.50	1.91	2.24	3.82
BKH-34-SAE-1125	3/4"	1 1/16-12 UNF	5880 PSI						
BKH-1-NPT-1125	1"	1" NPT F	5145 PSI						
BKH-1-BSP-1125	1"	1" BSP P	5145 PSI	2.36	.94	6.50	1.95	2.36	4.45
BKH-1-SAE-1125	1"	1 5/16-12 UNF	5145 PSI						
* BKH-114-NPT-1125	1"	1 1/4" NPT F	5145 PSI						
* BKH-114-BSP-1125	1"	1 1/4" BSP P	5145 PSI	2.36	.94	6.50	1.95	2.36	5.16
* BKH-114-SAE-1125	1"	1 5/8-12 UNF	5145 PSI						
* BKH-112-NPT-1125	1"	1 1/2" NPT F	5145 PSI						
* BKH-112-BSP-1125	1"	1 1/2" BSP P	5145 PSI	2.36	.94	6.50	1.95	2.36	5.47
* BKH-112-SAE-1125	1"	1 7/8-12 UNF	5145 PSI						
SKH-114-NPT-3125	1 1/4"	1 1/4" NPT F	6175 PSI						
SKH-114-BSP-3125	1 1/4"	1 1/4" BSP P	6175 PSI	2.99	1.26	8.30	2.60	3.30	4.50
SKH-114-SAE-3125	1 1/4"	1 5/8-12 UNF	6175 PSI						
SKH-112-NPT-3125	1 1/2"	1 1/2" NPT F	6175 PSI						
SKH-112-BSP-3125	1 1/2"	1 1/2" BSP P	6175 PSI	3.27	1.50	8.30	2.73	3.62	5.30
SKH-112-SAE-3125	1 1/2"	1 7/8-12 UNF	6175 PSI						
SKH-2-NPT-3125	2"	2" NPT F	6175 PSI						
SKH-2-BSP-3125	2"	2" BSP P	6175 PSI	3.94	1.89	8.50	3.15	4.37	5.50
SKH-2-SAE-3125	2"	2 1/2-12 UNF	6175 PSI						

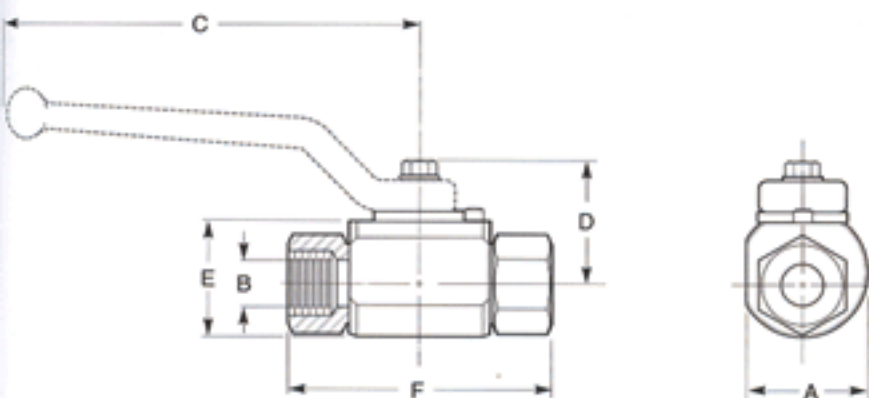
**CONSTRUCTION: STEEL BODY, BALL AND STEM  
VITON® "O" RINGS  
DELTRIN® BALL SEATS  
FULL PORT**

*450°  
BKH-1125*

\*REDUCED TO 1" PORT

SIDE OR TOP DRILLED AND TAPPED MOUNTING HOLES AVAILABLE. CONTACT PCI FOR A TECHNICAL DRAWING.  
AVAILABLE FOR BKH/SKH AND BK3/SK3 SERIES.  
HIGHER PRESSURE FULL PORT BALL VALVES RANGING FROM 6175 PSI TO 8820 PSI IN SIZES 1/4"-1" ARE AVAILABLE WITH A FORGED STEEL BODY. CONTACT PCI FOR DETAILS.

# RKH SERIES HIGH PRESSURE BALL VALVES – 316 STAINLESS

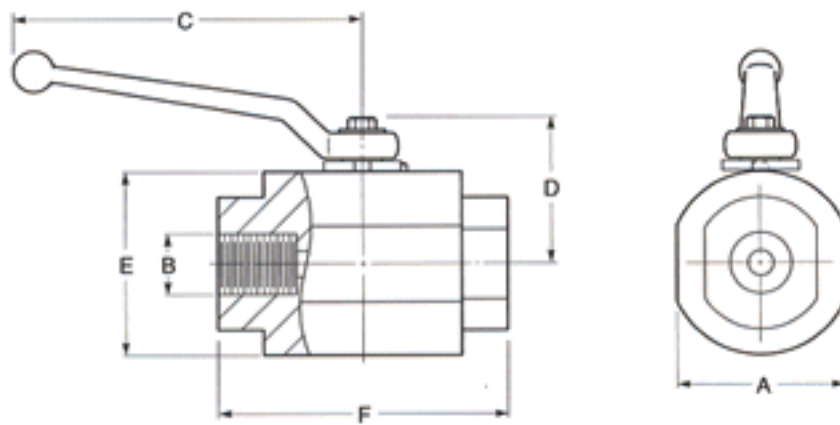


PART NUMBER	NOMINAL SIZE	THREAD	WORKING PRESSURE	INCH DIMENSIONS					
				A	B	C	D	E	F
RKH-14-NPT-4425	1/4"	1/4" NPT F	5880 PSI						
RKH-14-BSP-4425	1/4"	1/4" BSP P	5880 PSI	1.38	.24	4.21	1.20	1.25	2.72
RKH-14-SAE-4425	1/4"	7/16-20 UNF	5880 PSI						
RKH-38-NPT-4425	3/8"	3/8" NPT F	5880 PSI						
RKH-38-BSP-4425	3/8"	3/8" BSP P	5880 PSI	1.38	.31	4.21	1.20	1.25	2.87
RKH-38-SAE-4425	3/8"	9/16-18 UNF	5880 PSI						
RKH-12-NPT-4425	1/2"	1/2" NPT F	5880 PSI						
RKH-12-BSP-4425	1/2"	1/2" BSP P	5880 PSI	1.65	.51	4.21	1.29	1.49	3.62
RKH-12-SAE-4425	1/2"	3/4-16 UNF	5880 PSI						
RKH-34-NPT-4425	3/4"	3/4" NPT F	5880 PSI						
RKH-34-BSP-4425	3/4"	3/4" BSP P	5880 PSI	1.77	.79	6.50	1.33	1.57	3.82
RKH-34-SAE-4425	3/4"	11/16-12 UNF	5880 PSI						
RKH-1-NPT-4425	1"	1" NPT F	5880 PSI						
RKH-1-BSP-4425	1"	1" BSP P	5880 PSI	1.97	.94	6.50	1.69	1.81	4.45
RKH-1-SAE-4425	1"	15/16-12 UNF	5880 PSI						
RKH-114-NPT-4425	1 1/4"	1 1/4" NPT F	5145 PSI						
RKH-114-BSP-4425	1 1/4"	1 1/4" BSP P	5145 PSI	3.54	1.25	8.30	2.59	3.30	6.54
RKH-114-SAE-4425	1 1/4"	15/8-12 UNF	5145 PSI						
RKH-112-NPT-4425	1 1/2"	1 1/2" NPT F	5145 PSI						
RKH-112-BSP-4425	1 1/2"	1 1/2" BSP P	5145 PSI	3.26	1.49	8.30	2.73	3.62	7.14
RKH-112-SAE-4425	1 1/2"	17/8-12 UNF	5145 PSI						
RKH-2-NPT-4425	2"	2" NPT F	5145 PSI						
RKH-2-BSP-4425	2"	2" BSP P	5145 PSI	3.94	1.89	8.50	3.15	4.37	9.30
RKH-2-SAE-4425	2"	2 1/2-12 UNF	5145 PSI						

**CONSTRUCTION:** "316" STAINLESS STEEL BODY, BALL AND STEM  
 VITON® "O" RINGS  
 DELRIN® BALL SEATS  
 FULL PORT



# HRKH SERIES ULTRA HIGH PRESSURE BALL VALVES – STEEL / STAINLESS



## STEEL

PART NUMBER	NOMINAL SIZE	THREAD	WORKING PRESSURE	A	B	INCH DIMENSIONS			
						C	D	E	F
HRKH-14-NPT-3923	1/2"	1/4" NPT F	11,760 PSI	2.13	.24	4.21	1.61	2.76	3.54
HRKH-38-NPT-3923	1/2"	3/8" NPT F	11,760 PSI	2.13	.35	4.21	1.61	2.76	3.54
HRKH-12-NPT-3923	1/2"	1/2" NPT F	11,760 PSI	2.13	.35	4.21	1.61	2.76	3.54
HRKH-34-NPT-3923	3/4"	3/4" NPT F	11,760 PSI	2.91	.51	6.49	2.20	3.76	4.33
HRKH-1-NPT-3923	1"	1" NPT F	11,760 PSI	3.54	.67	6.49	2.50	4.35	4.72
HRKH-114-NPT-3923	1"	1 1/4" NPT F	11,760 PSI	3.54	.67	6.49	2.50	4.35	4.72

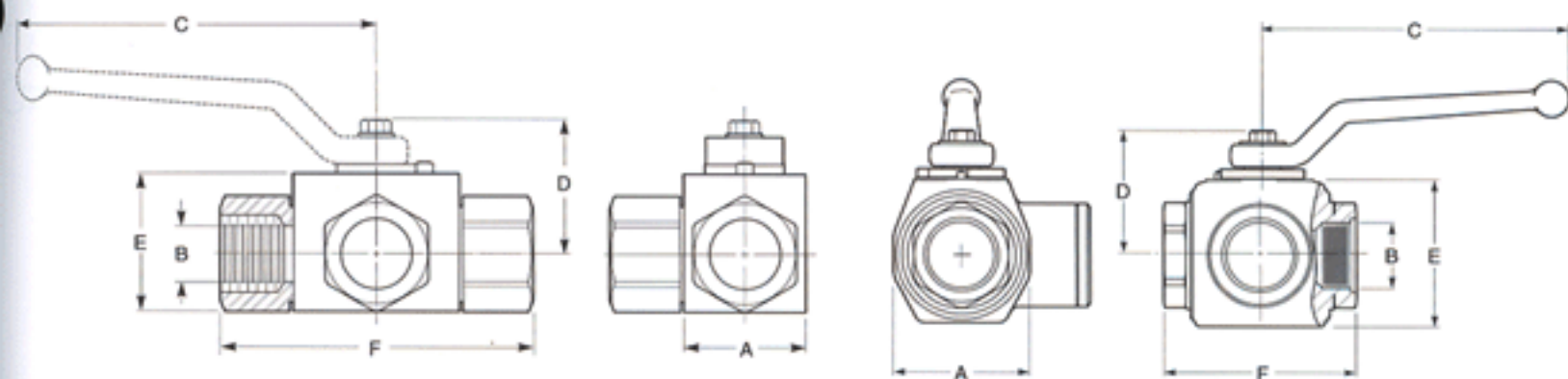
**CONSTRUCTION:** STEEL BODY, BALL AND STEM  
 BUNA-N "O" RINGS  
 DELRIN® BALL SEATS  
 REDUCED PORT SIZES 1/2"-1 1/4"

## 316 STAINLESS STEEL

PART NUMBER	NOMINAL SIZE	THREAD	WORKING PRESSURE	A	B	INCH DIMENSIONS			
						C	D	E	F
HRKH-14-NPT-4425	1/4"	1/4" NPT F	9600 PSI	1.83	.24	4.21	1.41	2.38	3.78
HRKH-38-NPT-4425	3/8"	3/8" NPT F	11,760 PSI	2.13	.35	4.21	1.61	2.76	3.54
HRKH-12-NPT-4425	1/2"	1/2" NPT F	11,760 PSI	2.13	.35	4.21	1.61	2.76	3.54
HRKH-34-NPT-4425	3/4"	3/4" NPT F	10,290 PSI	2.91	.51	6.49	2.20	3.76	4.33
HRKH-1-NPT-4425	1"	1" NPT F	11,760 PSI	3.54	.67	6.49	2.50	4.35	4.72
HRKH-114-NPT-4425	1"	1 1/4" NPT F	9600 PSI	3.54	.67	6.49	2.50	4.35	4.72

**CONSTRUCTION:** "316" STAINLESS STEEL BODY, BALL AND STEM  
 VITON® "O" RINGS  
 DELRIN® BALL SEATS  
 REDUCED PORT SIZES 1/2"-1 1/4"

# BK3/SK3 SERIES HIGH PRESSURE SELECTOR BALL VALVES – STEEL



PART NUMBER	NOMINAL SIZE	THREAD	WORKING PRESSURE	INCH DIMENSIONS					
				A	B	C	D	E	F
BK3-14-NPT-1125-L	1/4"	1/4" NPT F	5880 PSI						
BK3-14-BSP-1125-L	1/4"	1/4" BSP P	5880 PSI	1.02	.24	4.21	1.20	1.26	2.72
BK3-14-SAE-1125-L	1/4"	7/16-20 UNF	5880 PSI						
BK3-38-NPT-1125-L	3/8"	3/8" NPT F	5880 PSI						
BK3-38-BSP-1125-L	3/8"	3/8" BSP P	5880 PSI	1.26	.39	4.21	1.29	1.50	2.87
BK3-38-SAE-1125-L	3/8"	9/16-18 UNF	5880 PSI						
BK3-12-NPT-1125-L	1/2"	1/2" NPT F	5145 PSI						
BK3-12-BSP-1125-L	1/2"	1/2" BSP P	5145 PSI	1.38	.51	4.21	1.31	1.57	3.62
BK3-12-SAE-1125-L	1/2"	3/4-16 UNF	5145 PSI						
BK3-34-NPT-1125-L	3/4"	3/4" NPT F	5145 PSI						
BK3-34-BSP-1125-L	3/4"	3/4" BSP P	5145 PSI	1.93	.79	6.50	1.91	2.24	3.82
BK3-34-SAE-1125-L	3/4"	1 1/16-12 UNF	5145 PSI						
BK3-1-NPT-1125-L	1"	1" NPT F	5145 PSI						
BK3-1-BSP-1125-L	1"	1" BSP P	5145 PSI	2.36	.94	6.50	1.95	2.36	4.45
BK3-1-SAE-1125-L	1"	1 5/16-12 UNF	5145 PSI						
SK3-114-NPT-3125-L	1 1/4"	1 1/4" NPT F	5145 PSI						
SK3-114-BSP-3125-L	1 1/4"	1 1/4" BSP P	5145 PSI	2.99	1.18	8.50	2.60	3.30	4.53
SK3-114-SAE-3125-L	1 1/4"	1 5/8-12 UNF	5145 PSI						
SK3-112-NPT-3125-L	1 1/2"	1 1/2" NPT F	5145 PSI						
SK3-112-BSP-3125-L	1 1/2"	1 1/2" BSP P	5145 PSI	3.27	1.37	8.30	2.73	3.62	4.81
SK3-112-SAE-3125-L	1 1/2"	1 7/8-12 UNF	5145 PSI						
SK3-2-NPT-3125-L	2"	2" NPT F	5145 PSI						
SK3-2-BSP-3125-L	2"	2" BSP P	5145 PSI	3.94	1.73	8.30	3.15	4.37	5.53
SK3-2-SAE-3125-L	2"	2 1/2-12 UNF	5145 PSI						

## CONSTRUCTION:

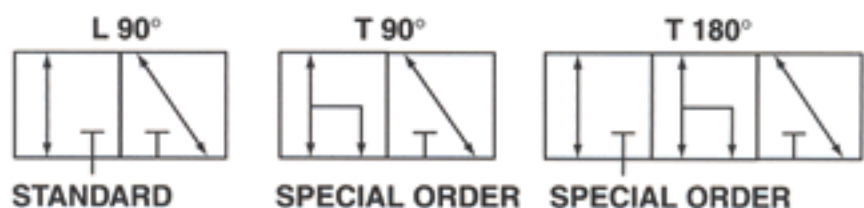
### LAST 4 DIGITS:

### DESCRIPTION:

-1125  
**CARBON STEEL BLOCK BODY,  
 STEEL BALL AND STEM  
 VITON® "O" RINGS  
 DELRIN® BALL SEATS**

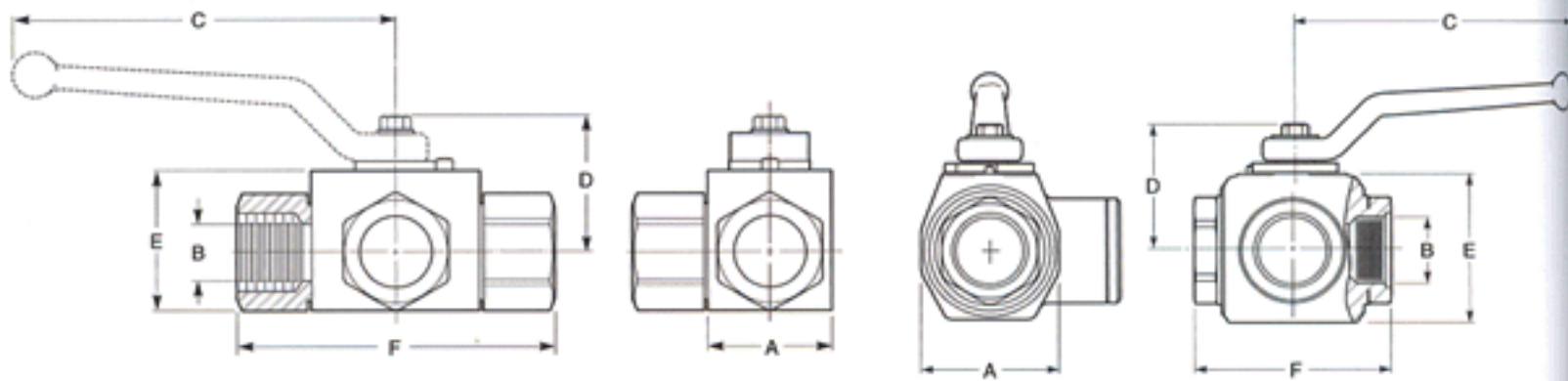
-3125  
**FORGED STEEL BODY,  
 STEEL BALL AND STEM  
 VITON® "O" RINGS  
 DELRIN® BALL SEATS**

**NOTE:** The sealing function of the BK3/SK3 standard valves is only given when the pressure standing on the closed port is less than or equal to the inlet pressure of the open port. To apply pressure to any port, a special variation is required, add "-A" to the end of the part number. Extra lead time and cost will apply.





# BK3/SK3 SERIES HIGH PRESSURE SELECTOR BALL VALVES – 316 STAINLESS

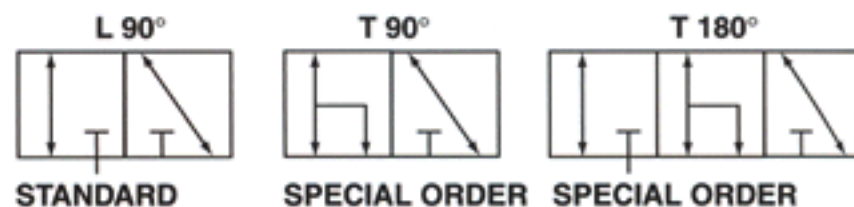


PART NUMBER	NOMINAL SIZE	THREAD	WORKING PRESSURE	INCH DIMENSIONS					
				A	B	C	D	E	F
BK3-14-NPT-4425-L	1/4"	1/4" NPT F	5880 PSI						
BK3-14-BSP-4425-L	1/4"	1/4" BSP P	5880 PSI	2.02	.24	4.21	1.50	1.38	2.72
BK3-14-SAE-4425-L	1/4"	7/16-20 UNF	5880 PSI						
BK3-38-NPT-4425-L	3/8"	3/8" NPT F	5880 PSI						
BK3-38-BSP-4425-L	3/8"	3/8" BSP P	5880 PSI	2.26	.35	4.21	1.32	1.57	2.87
BK3-38-SAE-4425-L	3/8"	9/16-18 UNF	5880 PSI						
BK3-12-NPT-4425-L	1/2"	1/2" NPT F	5145 PSI						
BK3-12-BSP-4425-L	1/2"	1/2" BSP P	5145 PSI	2.60	.45	4.21	1.54	1.57	3.62
BK3-12-SAE-4425-L	1/2"	3/4-16 UNF	5145 PSI						
BK3-34-NPT-4425-L	3/4"	3/4" NPT F	5145 PSI						
BK3-34-BSP-4425-L	3/4"	3/4" BSP P	5145 PSI	3.08	.71	6.50	1.93	2.24	3.82
BK3-34-SAE-4425-L	3/4"	1 1/16-12 UNF	5145 PSI						
BK3-1-NPT-4425-L	1"	1" NPT F	5145 PSI						
BK3-1-BSP-4425-L	1"	1" BSP P	5145 PSI	3.27	.87	6.50	2.03	2.56	4.45
BK3-1-SAE-4425-L	1"	1 5/16-12 UNF	5145 PSI						
SK3-114-NPT-4425-L	1 1/4"	1 1/4" NPT F	5145 PSI						
SK3-114-BSP-4425-L	1 1/4"	1 1/4" BSP P	5145 PSI	3.85	1.18	8.30	2.40	3.15	4.52
SK3-114-SAE-4425-L	1 1/4"	1 5/8-12 UNF	5145 PSI						
SK3-112-NPT-4425-L	1 1/2"	1 1/2" NPT F	5145 PSI						
SK3-112-BSP-4425-L	1 1/2"	1 1/2" BSP P	5145 PSI	4.32	1.38	8.30	2.64	3.54	5.43
SK3-112-SAE-4425-L	1 1/2"	1 7/8-12 UNF	5145 PSI						
SK3-2-NPT-4425-L	2"	2" NPT F	5145 PSI						
SK3-2-BSP-4425-L	2"	2" BSP P	5145 PSI	4.92	1.73	8.30	3.03	4.72	5.51
SK3-2-SAE-4425-L	2"	2 1/2-12 UNF	5145 PSI						

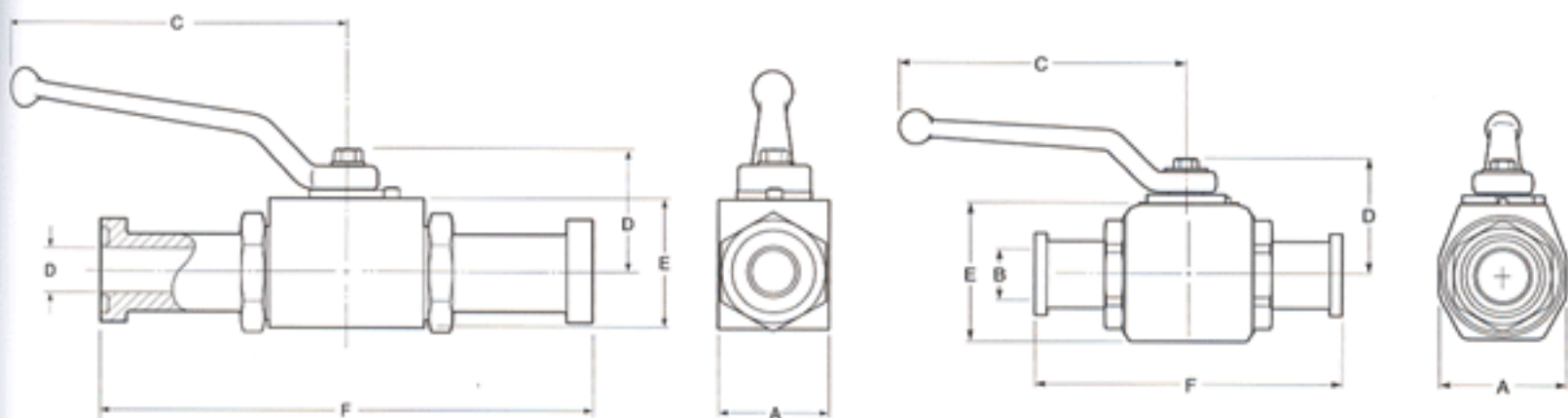
**CONSTRUCTION:**

**LAST 4 DIGITS: -4425**      **DESCRIPTION:**  
**316-STAINLESS STEEL BODY,**  
**BALL AND STEM**  
**VITON® "O" RINGS**  
**DELTRIN® BALL SEATS**

**NOTE:** The sealing function of the BK3/SK3 standard valves is only given when the pressure standing on the closed port is less than or equal to the inlet pressure of the open port. To apply pressure to any port, a special variation is required, add "-A" to the end of the part number. Extra lead time and cost will apply.



# BKH/SKH CODE 61 / 62 SPLIT FLANGE BALL VALVES – STEEL/STAINLESS STEEL



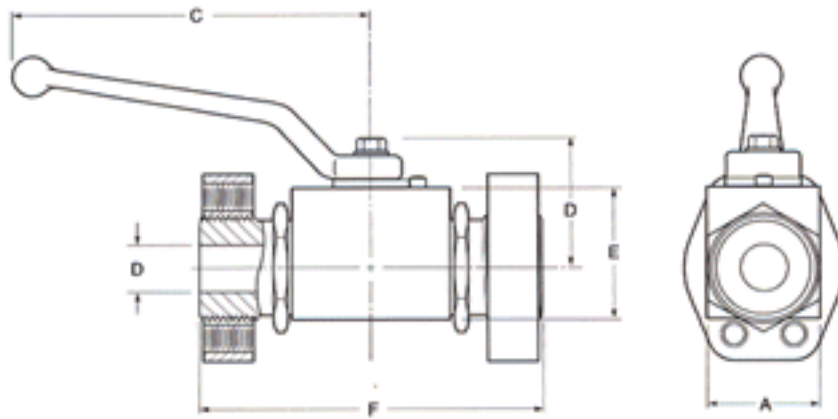
PART NUMBER	NOMINAL SIZE	MATERIAL	WORKING PRESSURE	CODE	INCH DIMENSIONS					
					A	B	C	D	E	F
BKH-13-SAE-3000-S-1125	1/2"	STEEL	3000 PSI	61	1.37	.49	4.21	1.32	1.57	5.95
BKH-13-SAE-3000-S-4425	1/2"	STAINLESS	3000 PSI							
BKH-13-SAE-6000-S-1125	1/2"	STEEL	6000 PSI	62	1.37	.49	4.21	1.32	1.57	5.95
BKH-13-SAE-6000-S-4425	1/2"	STAINLESS	6000 PSI							
BKH-20-SAE-3000-S-1125	3/4"	STEEL	3000 PSI	61	1.93	.75	6.50	1.90	2.24	6.38
BKH-20-SAE-3000-S-4425	3/4"	STAINLESS	3000 PSI							
BKH-20-SAE-6000-S-1125	3/4"	STEEL	6000 PSI	62	1.93	.75	6.50	1.90	2.24	6.85
BKH-20-SAE-6000-S-4425	3/4"	STAINLESS	6000 PSI							
BKH-25-SAE-3000-S-1125	1"	STEEL	3000 PSI	61	2.36	.95	6.50	1.95	2.36	7.00
BKH-25-SAE-3000-S-4425	1"	STAINLESS	3000 PSI							
BKH-25-SAE-6000-S-1125	1"	STEEL	6000 PSI	62	2.36	.95	6.50	1.95	2.36	7.80
BKH-25-SAE-6000-S-4425	1"	STAINLESS	6000 PSI							
SKH-32-SAE-3000-S-3125	1 1/4"	STEEL	3000 PSI	61	2.99	1.25	8.30	2.60	3.30	7.50
SKH-32-SAE-3000-S-4425	1 1/4"	STAINLESS	3000 PSI							
SKH-32-SAE-6000-S-3125	1 1/4"	STEEL	6000 PSI	62	2.99	1.25	8.30	2.60	3.30	8.78
SKH-32-SAE-6000-S-4425	1 1/4"	STAINLESS	6000 PSI							
SKH-40-SAE-3000-S-3125	1 1/2"	STEEL	3000 PSI	61	3.27	1.50	8.30	2.74	3.62	9.10
SKH-40-SAE-3000-S-4425	1 1/2"	STAINLESS	3000 PSI							
SKH-40-SAE-6000-S-3125	1 1/2"	STEEL	6000 PSI	62	3.27	1.50	8.30	2.74	3.62	11.07
SKH-40-SAE-6000-S-4425	1 1/2"	STAINLESS	6000 PSI							
SKH-50-SAE-3000-S-3125	2"	STEEL	3000 PSI	61	3.94	1.89	8.30	3.15	4.37	9.14
SKH-50-SAE-3000-S-4425	2"	STAINLESS	3000 PSI							
SKH-50-SAE-6000-S-3125	2"	STEEL	6000 PSI	62	3.94	1.89	8.30	3.15	4.37	12.44
SKH-50-SAE-6000-S-4425	2"	STAINLESS	6000 PSI							
SKH-65/50-SAE-3000-S-3125	2"x 2 1/2"	STEEL	3000 PSI	61	CF	CF	CF	CF	CF	CF
SKH-65/50-SAE-3000-S-4425	2"x 2 1/2"	STAINLESS	3000 PSI							
SKH-65/50-SAE-6000-S-3125	2"x 2 1/2"	STEEL	6000 PSI	62	CF	CF	CF	CF	CF	CF
SKH-65/50-SAE-6000-S-4425	2"x 2 1/2"	STAINLESS	6000 PSI							

## CONSTRUCTION:

LAST 4 DIGITS:	DESCRIPTION:
-1125	CARBON STEEL BLOCK BODY, STEEL BALL AND STEM VITON® "O" RINGS DELTRIN® BALL SEATS
-3125	FORGED STEEL BODY, STEEL BALL AND STEM VITON® "O" RINGS DELTRIN® BALL SEATS
-4425	316-STAINLESS STEEL BODY, BALL AND STEM VITON® "O" RINGS DELTRIN® BALL SEATS



# BKH/SKH CODE 61 / 62 4-BOLT FLANGE BALL VALVES – STEEL / STAINLESS STEEL



Shown with Flange removed

PART NUMBER	NOMINAL SIZE	MATERIAL	WORKING PRESSURE	CODE	INCH DIMENSIONS						BOLT SIZE	
					A	B	C	D	E	F	METRIC	UNC
BKH-13-SAE-3000-F-1123	1/2"	STEEL	3000 PSI	61	1.37	.49	4.21	1.32	1.57	4.09	M8	5/16-18
BKH-13-SAE-3000-F-4425	1/2"	STAINLESS	3000 PSI	61	1.37	.49	4.21	1.32	1.57	4.09	M8	5/16-18
BKH-13-SAE-6000-F-1123	1/2"	STEEL	6000 PSI	62	1.37	.49	4.21	1.32	1.57	4.09	M8	5/16-18
BKH-13-SAE-6000-F-4425	1/2"	STAINLESS	6000 PSI	62	1.37	.49	4.21	1.32	1.57	4.09	M8	5/16-18
BKH-20-SAE-3000-F-1123	3/4"	STEEL	3000 PSI	61	1.93	.75	6.50	1.90	2.24	4.76	M10	3/8-16
BKH-20-SAE-3000-F-4425	3/4"	STAINLESS	3000 PSI	61	1.93	.75	6.50	1.90	2.24	4.76	M10	3/8-16
BKH-20-SAE-6000-F-1123	3/4"	STEEL	6000 PSI	62	1.93	.75	6.50	1.90	2.24	4.76	M10	3/8-16
BKH-20-SAE-6000-F-4425	3/4"	STAINLESS	6000 PSI	62	1.93	.75	6.50	1.90	2.24	4.76	M10	3/8-16
BKH-25-SAE-3000-F-1123	1"	STEEL	3000 PSI	61	2.36	.95	6.50	1.95	2.36	5.24	M10	3/8-16
BKH-25-SAE-3000-F-4425	1"	STAINLESS	3000 PSI	61	2.36	.95	6.50	1.95	2.36	5.24	M10	3/8-16
BKH-25-SAE-6000-F-1123	1"	STEEL	6000 PSI	62	2.36	.95	6.50	1.95	2.36	5.24	M12	7/16-14
BKH-25-SAE-6000-F-4425	1"	STAINLESS	6000 PSI	62	2.36	.95	6.50	1.95	2.36	5.24	M12	7/16-14
SKH-32-SAE-3000-F-3123	1 1/4"	STEEL	3000 PSI	61	2.99	1.25	8.30	2.60	3.30	6.42	M10	7/16-14
SKH-32-SAE-3000-F-4425	1 1/4"	STAINLESS	3000 PSI	61	2.99	1.25	8.30	2.60	3.30	6.42	M10	7/16-14
SKH-32-SAE-6000-F-3123	1 1/4"	STEEL	6000 PSI	62	2.99	1.25	8.30	2.60	3.30	6.42	M14	1/2-13
SKH-32-SAE-6000-F-4425	1 1/4"	STAINLESS	6000 PSI	62	2.99	1.25	8.30	2.60	3.30	6.42	M14	1/2-13
SKH-40-SAE-3000-F-3123	1 1/2"	STEEL	3000 PSI	61	3.27	1.50	8.30	2.74	3.62	6.61	M12	1/2-13
SKH-40-SAE-3000-F-4425	1 1/2"	STAINLESS	3000 PSI	61	3.27	1.50	8.30	2.74	3.62	6.61	M12	1/2-13
SKH-40-SAE-6000-F-3123	1 1/2"	STEEL	6000 PSI	62	3.27	1.50	8.30	2.74	3.62	6.61	M16	5/8-11
SKH-40-SAE-6000-F-4425	1 1/2"	STAINLESS	6000 PSI	62	3.27	1.50	8.30	2.74	3.62	6.61	M16	5/8-11
SKH-50-SAE-3000-F-3123	2"	STEEL	3000 PSI	61	3.94	1.89	8.30	3.15	4.37	7.32	M12	1/2-13
SKH-50-SAE-3000-F-4425	2"	STAINLESS	3000 PSI	61	3.94	1.89	8.30	3.15	4.37	7.32	M12	1/2-13
SKH-50-SAE-6000-F-3123	2"	STEEL	6000 PSI	62	3.94	1.89	8.30	3.15	4.37	7.32	M20	3/4-10
SKH-50-SAE-6000-F-4425	2"	STAINLESS	6000 PSI	62	3.94	1.89	8.30	3.15	4.37	7.32	M20	3/4-10
SKH-65/50-SAE-3000-F-3123	2"	STEEL	3000 PSI	61	CF	1.89	CF	CF	CF	6.85	M12	1/2-13
SKH-65/50-SAE-3000-F-4425	2"	STAINLESS	3000 PSI	61	CF	1.89	CF	CF	CF	6.85	M12	1/2-13

CF = CONTACT FACTORY

**CONSTRUCTION:**

**LAST 4 DIGITS:**

-1123

**DESCRIPTION:**

CARBON STEEL BLOCK BODY, STEEL BALL AND STEM  
BUNA-N "O" RINGS  
DELTRIN® BALL SEATS

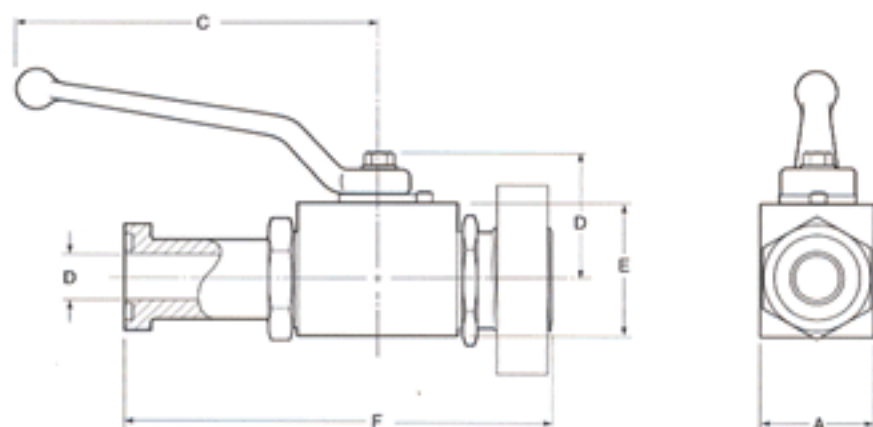
-3123

FORGED STEEL BODY, STEEL BALL AND STEM  
BUNA-N "O" RINGS  
DELTRIN® BALL SEATS

-4425

316-STAINLESS STEEL BODY, BALL AND STEM  
VITON® "O" RINGS  
DELTRIN® BALL SEATS

# BKH/SKH CODE 61 / 62 4-BOLT FLANGE X SPLIT FLANGE BALL VALVES – STEEL / STAINLESS



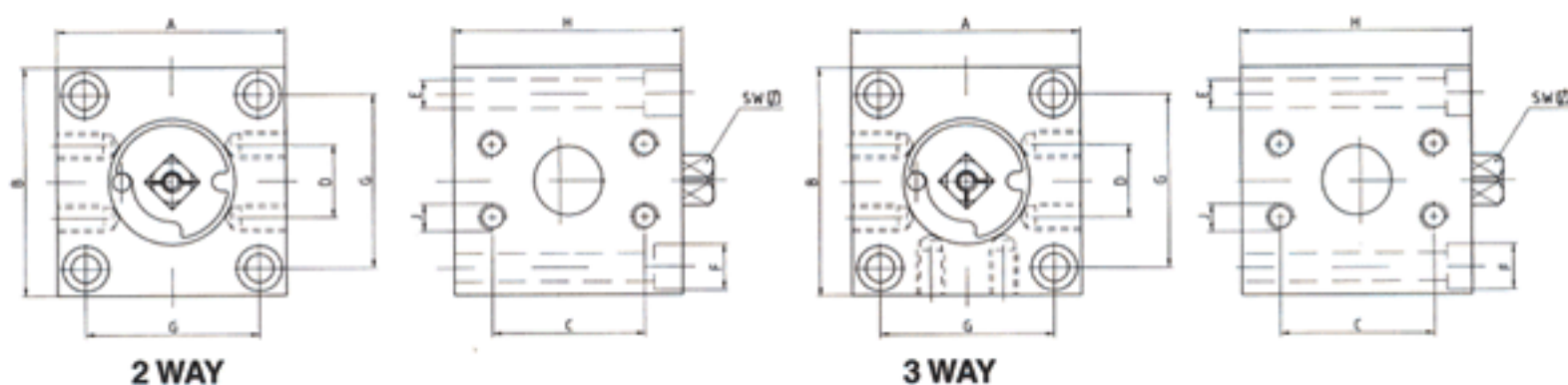
PART NUMBER	NOMINAL SIZE	MATERIAL	WORKING PRESSURE	CODE	INCH DIMENSIONS						BOLT SIZE	
					A	B	C	D	E	F	METRIC	UNC
BKH-13-SAE-3000-D/S-1123	1/2"	STEEL	3000 PSI	61	1.37	.49	4.21	1.32	1.57	5.02	M8	5/16-18
BKH-13-SAE-3000-D/S-4425	1/2"	STAINLESS	3000 PSI									
BKH-13-SAE-6000-D/S-1123	1/2"	STEEL	6000 PSI	62	1.37	.49	4.21	1.32	1.57	5.02	M8	5/16-18
BKH-13-SAE-6000-D/S-4425	1/2"	STAINLESS	6000 PSI									
BKH-20-SAE-3000-D/S-1123	3/4"	STEEL	3000 PSI	61	1.93	.75	6.50	1.90	2.24	5.57	M10	3/8-16
BKH-20-SAE-3000-D/S-4425	3/4"	STAINLESS	3000 PSI									
BKH-20-SAE-6000-D/S-1123	3/4"	STEEL	6000 PSI	62	1.93	.75	6.50	1.90	2.24	5.81	M10	3/8-16
BKH-20-SAE-6000-D/S-4425	3/4"	STAINLESS	6000 PSI									
BKH-25-SAE-3000-D/S-1123	1"	STEEL	3000 PSI	61	2.36	.95	6.50	1.95	2.36	6.12	M10	3/8-16
BKH-25-SAE-3000-D/S-4425	1"	STAINLESS	3000 PSI									
BKH-25-SAE-6000-D/S-1123	1"	STEEL	6000 PSI	62	2.36	.95	6.50	1.95	2.36	6.52	M12	7/16-14
BKH-25-SAE-6000-D/S-4425	1"	STAINLESS	6000 PSI									
SKH-32-SAE-3000-D/S-3123	1 1/4"	STEEL	3000 PSI	61	2.99	1.25	8.30	2.60	3.30	6.95	M10	7/16-14
SKH-32-SAE-3000-D/S-4425	1 1/4"	STAINLESS	3000 PSI									
SKH-32-SAE-6000-D/S-3123	1 1/4"	STEEL	6000 PSI	62	2.99	1.25	8.30	2.60	3.30	7.60	M14	1/2-13
SKH-32-SAE-6000-D/S-4425	1 1/4"	STAINLESS	6000 PSI									
SKH-40-SAE-3000-D/S-3123	1 1/2"	STEEL	3000 PSI	61	3.27	1.50	8.30	2.74	3.62	7.85	M12	1/2-13
SKH-40-SAE-3000-D/S-4425	1 1/2"	STAINLESS	3000 PSI									
SKH-40-SAE-6000-D/S-3123	1 1/2"	STEEL	6000 PSI	62	3.27	1.50	8.30	2.74	3.62	8.86	M16	5/8-11
SKH-40-SAE-6000-D/S-4425	1 1/2"	STAINLESS	6000 PSI									
SKH-50-SAE-3000-D/S-3123	2"	STEEL	3000 PSI	61	3.94	1.89	8.30	3.15	4.37	8.23	M12	1/2-13
SKH-50-SAE-3000-D/S-4425	2"	STAINLESS	3000 PSI									
SKH-50-SAE-6000-D/S-3123	2"	STEEL	6000 PSI	62	3.94	1.89	8.30	3.15	4.37	9.88	M20	3/4-10
SKH-50-SAE-6000-D/S-4425	2"	STAINLESS	6000 PSI									
SKH-65/50-SAE-3000-D/S-3123	2"x 2 1/2"	STEEL	3000 PSI	61	3.94	1.89	8.30	3.15	4.37	CF	M12	1/2-13
SKH-65/50-SAE-3000-D/S-4425	2"x 2 1/2"	STAINLESS	3000 PSI									

## CONSTRUCTION:

LAST 4 DIGITS:	DESCRIPTION:
-1123	CARBON STEEL BLOCK BODY, STEEL BALL AND STEM BUNA-N "O" RINGS DELTRIN® BALL SEATS
-3123	FORGED STEEL BODY, STEEL BALL AND STEM BUNA-N "O" RINGS DELTRIN® BALL SEATS
-4425	316-STAINLESS STEEL BODY, BALL AND STEM VITON® "O" RINGS DELTRIN® BALL SEATS



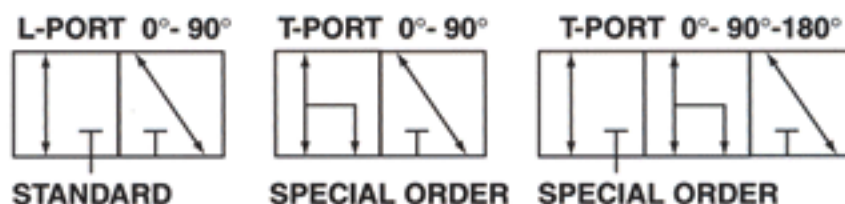
# PV2 / PV3 SERIES 4-BOLT DIRECT MOUNT – CODE 62 – BALL VALVES – STEEL



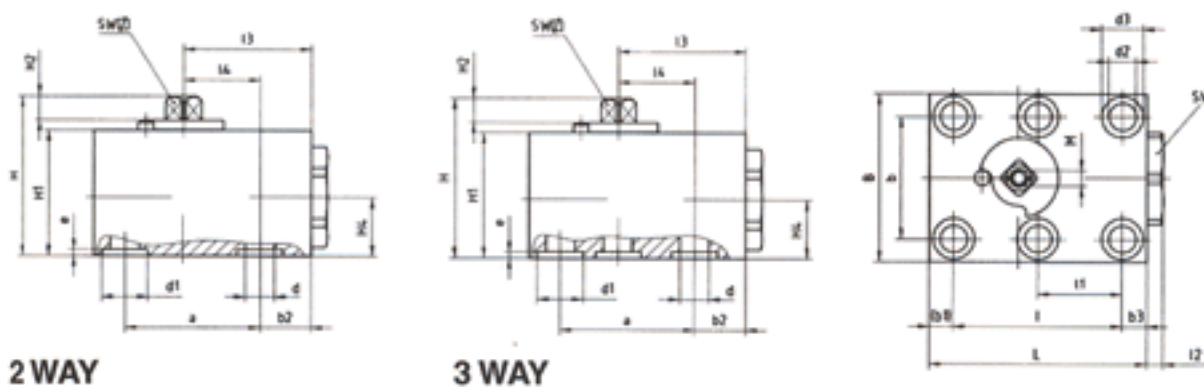
PART NUMBER	NOMINAL SIZE	WORKING PRESSURE	PORTING	INCH DIMENSIONS							
				A	B	C	D	H	H1	H2	BOLT J
PV2-13-SAE-6000	1/2"	6000 PSI	2-WAY	2.36	2.36	1.59	.72	.35	.59	1.69	M8
PV3-13-SAE-6000	1/2"	6000 PSI	3-WAY								
PV2-20-SAE-6000	3/4"	6000 PSI	2-WAY	3.15	3.15	2.00	.94	.43	.71	2.36	M10
PV3-20-SAE-6000	3/4"	6000 PSI	3-WAY								
PV2-25-SAE-6000	1"	6000 PSI	2-WAY	3.70	3.70	2.25	1.09	.43	.71	2.76	M12
PV3-25-SAE-6000	1"	6000 PSI	3-WAY								
PV2-32-SAE-6000	1 1/4"	6000 PSI	2-WAY	3.94	3.94	2.63	1.25	.49	.79	2.99	M14
PV3-32-SAE-6000	1 1/4"	6000 PSI	3-WAY								
PV2-40-SAE-6000	1 1/2"	6000 PSI	2-WAY	4.33	4.33	3.13	1.44	.49	.79	3.31	M16
PV3-40-SAE-6000	1 1/2"	6000 PSI	3-WAY								
PV2-50-SAE-6000	2"	6000 PSI	2-WAY	5.12	5.12	3.81	1.75	.49	.79	4.25	M20
PV3-50-SAE-6000	2"	6000 PSI	3-WAY								

**CONSTRUCTION:** STEEL BODY, BALL AND STEM  
 DELRIN® BALL SEATS  
 BUNA N "O" RINGS

**PORTING CONFIGURATIONS:** The sealing function of PV3-standard valves is only given when the pressure standing on the closed port is zero or if the pressure between the connected ports is higher than the pressure on the closed port. To apply pressure from all ports (PN1 = PN2), a special variant is required. Add **A** to the order code.



# BKHU SERIES MANIFOLD MOUNT 2 WAY – 3 WAY – STEEL



2 WAY

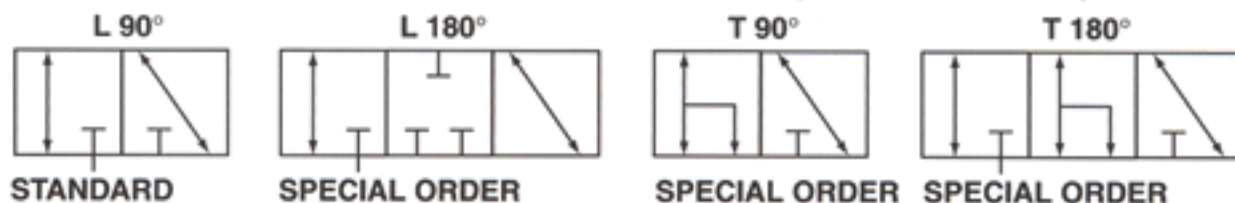
3 WAY

PART NUMBER	NOMINAL SIZE	WORKING PRESSURE	PORTS	a	B	b	d2	H	H1	H2	H4	L
BKHU-DN06-1125	1/4"	7250 PSI	2	1.54	1.93	1.38	.33	1.93	1.50	.31	.75	2.24
BKHU3-DN06-1125	1/4"	7250 PSI	3	1.54	1.93	1.38	.33	1.93	1.50	.31	.75	2.24
BKHU-DN10-1125	3/8"	7250 PSI	2	1.73	2.17	1.57	.35	2.05	1.61	.31	.75	2.80
BKHU3-DN10-1125	3/8"	7250 PSI	3	1.73	2.17	1.57	.35	2.05	1.61	.31	.75	2.80
BKHU-DN13-1125	1/2"	7250 PSI	2	2.28	2.36	1.77	.35	2.40	1.97	.31	1.06	3.88
BKHU3-DN13-1125	1/2"	7250 PSI	3	2.28	2.36	1.77	.35	2.40	1.97	.31	1.06	3.88
BKHU-DN20-1125	3/4"	5800 PSI	2	2.72	2.76	2.00	.41	3.39	2.76	.47	1.52	4.65
BKHU3-DN20-1125	3/4"	5800 PSI	3	2.72	2.76	2.00	.41	3.39	2.76	.47	1.52	4.65
BKHU-DN25-1125	1"	5800 PSI	2	3.19	3.15	2.36	.51	3.78	3.15	.47	1.77	5.39
BKHU3-DN25-1125	1"	5800 PSI	3	3.19	3.15	2.36	.51	3.78	3.15	.47	1.77	5.39
BKHU-DN32-1125	1 1/4"	4570 PSI	2	3.78	3.94	3.07	.51	4.69	3.94	.53	2.13	6.52
BKHU3-DN32-1125	1 1/4"	4570 PSI	3	3.78	3.94	3.07	.51	4.69	3.94	.53	2.13	6.52
BKHU-DN40-1125	1 1/2"	4570 PSI	2	4.41	5.12	3.74	.67	4.69	3.94	.53	1.97	7.20
BKHU3-DN40-1125	1 1/2"	4570 PSI	3	4.41	5.12	3.74	.67	4.69	3.94	.53	1.97	7.20
BKHU-DN50-1125	2"	4570 PSI	2	5.35	5.91	4.41	.87	5.28	4.53	.53	2.13	8.70
BKHU3-DN50-1125	2"	4570 PSI	3	5.35	5.91	4.41	.87	5.28	4.53	.53	2.13	8.70

## CONSTRUCTION:

LAST 4 DIGITS: -1125  
 DESCRIPTION: CARBON STEEL BLOCK BODY, STEEL BALL AND STEM  
 VITON® "O" RINGS  
 DELRIN BALL SEATS

**PORTING CONFIGURATIONS:** The sealing function of the BKHU3 valves is only given when the pressure against the closed port is either zero or if the pressure between the connected ports is higher than that of the closed port.

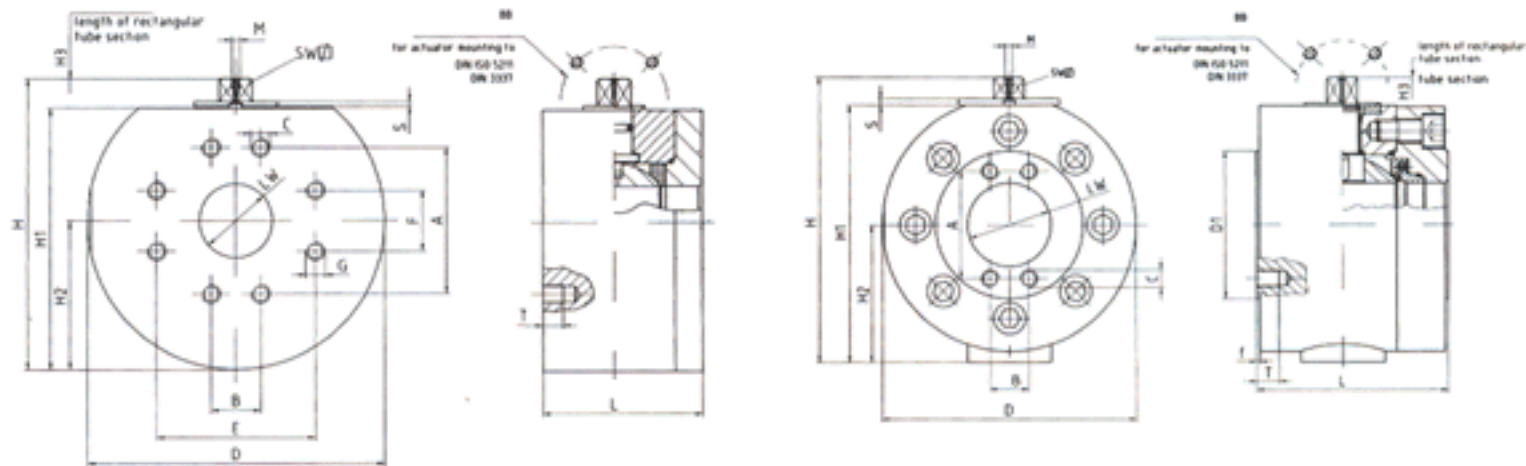


NOTE: STAINLESS STEEL VERSION AVAILABLE, CONTACT FACTORY FOR DETAILS.



# FCKH SERIES FLANGED-WAFER STYLE BALL VALVES

## STEEL / STAINLESS ISO 6162-2



PART NUMBER	NOMINAL SIZE	MATERIAL	WORKING PRESSURE CODE 61	WORKING PRESSURE CODE 62
FCKH-DN25-SAE-3000/6000-3123	1"	STEEL	4567 PSI	5800 PSI
FCKH-DN25-SAE-3000/6000-4425	1"	STAINLESS	4567 PSI	5800 PSI
FCKH-DN32-SAE-3000/6000-3123	1 1/4"	STEEL	3625 PSI	5800 PSI
FCKH-DN32-SAE-3000/6000-4425	1 1/4"	STAINLESS	3625 PSI	5800 PSI
FCKH-DN40-SAE-3000/6000-3123	1 1/2"	STEEL	2900 PSI	5800 PSI
FCKH-DN40-SAE-3000/6000-4425	1 1/2"	STAINLESS	2900 PSI	5800 PSI
FCKH-DN50-SAE-3000/6000-3123	2"	STEEL	2900 PSI	5800 PSI
FCKH-DN50-SAE-3000/6000-4425	2"	STAINLESS	2900 PSI	5800 PSI
FCKH-DN65-SAE-3000-3923	2 1/2"	STEEL	2320 PSI	—
FCKH-DN65-SAE-3000-4925	2 1/2"	STAINLESS	2320 PSI	—
FCKH-DN65-SAE-6000-3923*	2 1/2"	STEEL	—	4640 PSI
FCKH-DN65-SAE-6000-4925*	2 1/2"	STAINLESS	—	4640 PSI
FCKH-DN80-SAE-3000-3923	3"	STEEL	1450 PSI	—
FCKH-DN80-SAE-3000-4925	3"	STAINLESS	1450 PSI	—
FCKH-DN80-SAE-6000-3923*	3"	STEEL	—	4640 PSI
FCKH-DN80-SAE-6000-4925*	3"	STAINLESS	—	4640 PSI
FCKH-DN100-SAE-3000-3923	4"	STEEL	365 PSI	—
FCKH-DN100-SAE-3000-4925	4"	STAINLESS	365 PSI	—
FCKH-DN125-SAE-3000-3923	5"	STEEL	365 PSI	—
FCKH-DN125-SAE-3000-4925	5"	STAINLESS	365 PSI	—

\* DIFFERENT TO ISO STANDARD.

### SAE 3000 DIMENSIONS

SIZE	A	B	C		T	L	LW	D	H	H1	H2	H3	SW	S	BB DIN 3337	F	D1
			METRIC	UNC													
1"	2.06	1.04	M10	3/8-16	.63	3.50	.94	4.69	4.75	4.10	2.34	.59	.55	.16	F05	—	—
1 1/4"	2.31	1.19	M10	7/16-14	.63	3.98	1.26	5.47	5.79	5.04	2.74	.73	.67	.20	F05	—	—
1 1/2"	2.75	1.41	M12	1/2-13	.71	4.49	1.50	6.26	6.35	5.60	3.13	.73	.67	.20	F05	—	—
2"	3.06	1.69	M12	1/2-13	.71	4.96	1.87	7.05	7.04	6.43	3.52	.73	.67	.20	F05 (07)	—	—
2 1/2"	3.50	2.00	M12	1/2-13	.71	6.50	2.48	8.60	9.43	8.66	4.53	.73	.75	.24	F07	.02	5.04
3"	4.19	2.44	M16	5/8-11	.87	7.48	2.99	9.37	10.51	9.45	5.08	1.02	.87	.24	F10	.02	5.91
4"	5.13	3.06	M16	5/8-11	.87	8.98	3.93	10.91	12.91	10.93	5.75	1.22	1.06	.24	F10	.02	6.77
5"	6.00	3.63	M16	5/8-11	.87	10.00	4.72	12.52	14.37	12.99	6.65	1.29	1.06	.24	F14	.02	8.19

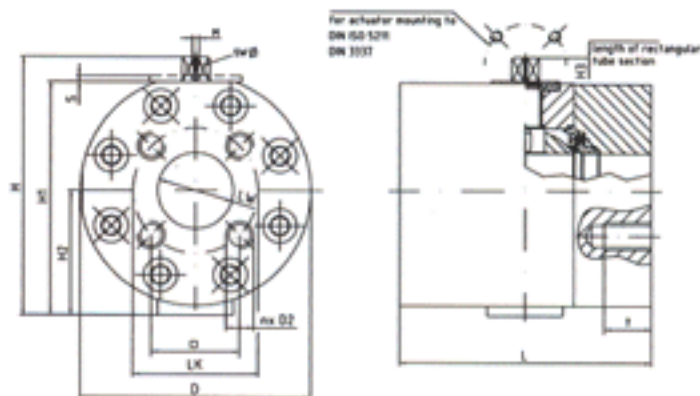
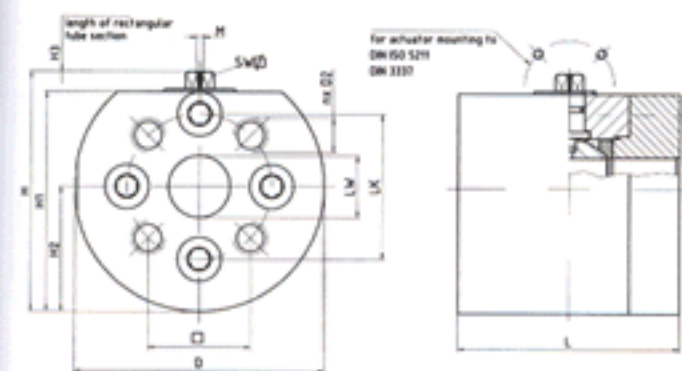
### SAE 6000 DIMENSIONS

SIZE	A	B	C		T	L	LW	D	H	H1	H2	H3	SW	S	BB DIN 3337
			METRIC	UNC											
1"	2.25	10.94	M12	7/16-14	.71	3.50	.94	4.69	4.75	4.10	2.34	.59	.55	.16	F05
1 1/4"	2.62	1.24	M14	1/2-13	.79	3.98	1.26	5.47	5.79	5.04	2.74	.73	.67	.20	F05
1 1/2"	3.12	1.44	M16	5/8-11	.87	4.49	1.50	6.26	6.35	5.60	3.13	.73	.67	.20	F05
2"	3.81	1.75	M20	3/4-10	1.02	4.96	1.87	7.05	7.04	6.43	3.52	.73	.67	.20	F05 (07)
2 1/2"	4.87	2.31	M24	—	1.14	7.87	2.48	9.80	10.99	9.93	5.53	1.02	.87	.20	F10
3"	6.00	2.82	M24	—	1.38	2.95	2.95	10.55	12.06	10.88	5.87	1.14	1.06	.20	F10



# FCKH SERIES FLANGED-WAFER STYLE BALL VALVES

## STEEL / STAINLESS ISO 6164



**VERSION A (2")**

**VERSION B (2 1/2" - 4")**

PART NUMBER	NOMINAL SIZE	WORKING MATERIAL	PRESSURE
FCKH-DN50-250-ISO 6164-34231	2"	STEEL	3625 PSI
FCKH-DN50-250-ISO 6164-4425	2"	STAINLESS	3625 PSI
FCKH-DN50-400-ISO 6164-34231	2"	STEEL	5800 PSI
FCKH-DN50-400-ISO 6164-4425	2"	STAINLESS	5800 PSI
FCKH-DN65-250-ISO 6164-39231	2 1/2"	STEEL	3625 PSI
FCKH-DN65-250-ISO 6164-4925	2 1/2"	STAINLESS	3625 PSI
FCKH-DN65-320-ISO 6164-39231	2 1/2"	STEEL	4640 PSI
FCKH-DN65-320-ISO 6164-4925	2 1/2"	STAINLESS	4640 PSI
FCKH-DN80-250-ISO 6164-39231	3"	STEEL	3625 PSI
FCKH-DN80-250-ISO 6164-4925	3"	STAINLESS	3625 PSI
FCKH-DN80-320-ISO 6164-39231	3"	STEEL	4640 PSI
FCKH-DN80-320-ISO 6164-4925	3"	STAINLESS	4640 PSI
FCKH-DN100-250-ISO 6164-39231	4"	STEEL	3625 PSI
FCKH-DN100-250-ISO 6164-4925	4"	STAINLESS	3625 PSI
FCKH-DN100-320-ISO 6164-39231	4"	STEEL	4640 PSI
FCKH-DN100-320-ISO 6164-4925	4"	STAINLESS	4640 PSI

**VERSION A DIMENSIONS**

SIZE	LW	L	D	H	H1	H2	H3	S	SW	n	D2	t	□	LK	DIN/ISO 5211	M
2"	1.87	4.25	7.87	8.54	7.56	3.94	.73	.20	.67	4 QTY	M20	1.18	3.28	4.65	F10	M10

\* EQUIVALENT TO FLANGE ISO - DIN 56

**VERSION A DIMENSIONS**

SIZE	LW	L	D	H	H1	H2	H3	S	SW	n	D2	t	□	LK	DIN/ISO 5211	M
2 1/2"	2.48	7.87	9.84	10.98	9.92	5.53	1.02	.20	.87	4 QTY	M20	1.18	4.04	5.71	F10	M10
3"	2.95	7.87	10.63	13.46	10.87	5.87	1.14	.20	1.06	4 QTY	M30	1.89	4.87	6.89	F10	M10
4"	3.74	11.02	11.81	13.98	12.01	6.50	1.28	.20	1.06	8 QTY	M24	1.18	—	7.87	F12	M12

\* DIFFERENT TO ISO STANDARD.  
CONTACT FACTORY FOR DETAILS

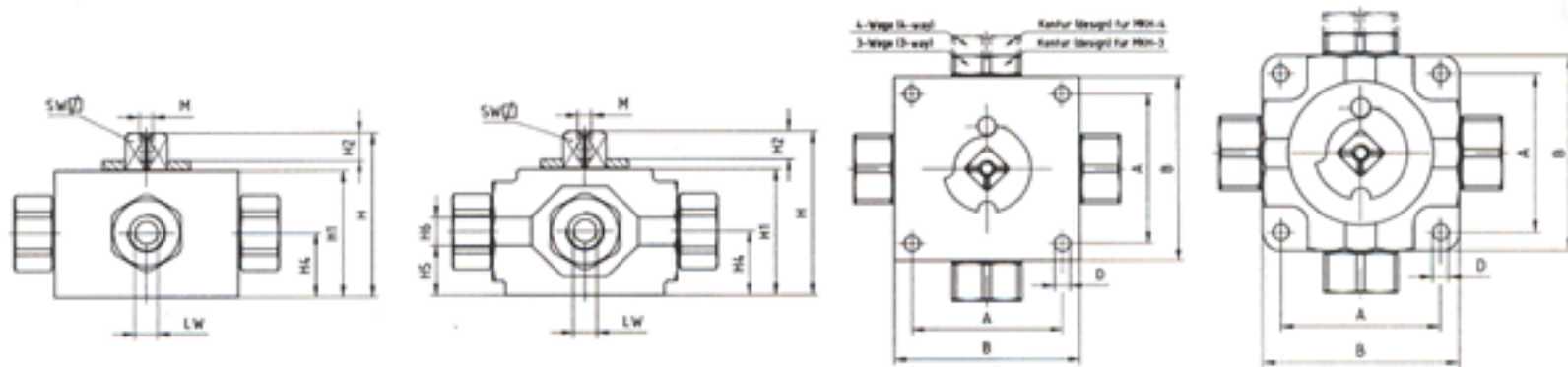
**CONSTRUCTION:**

**LAST 4/5 DIGITS: DESCRIPTION:**

- 34231 **CARBON STEEL BLOCK BODY, STEEL BALL AND STEM  
DELTRIN® BALL SEATS, BUNA N "O" RINGS, ZINC YELLOW PLATED**
- 39231 **CARBON STEEL BODY, TRUNION AND STEM  
DELTRIN® BALL SEATS, BUNA N "O" RINGS, ZINC YELLOW PLATED**
- 4925 **316-STAINLESS STEEL BODY, BALL/TRUNION AND STEM  
DELTRIN® BALL SEATS  
VITON® "O" RINGS**



# 3KH / 4KH SERIES MULTI-WAY BALL VALVES – SIZES 1/4" – 3/4"



PART NUMBER	NOMINAL SIZE	THREAD	MATERIAL	PORTING	WORKING PRESSURE	INCH DIMENSIONS					
						A	B	D	H	H1	H2
3KH-14-NPT-1123-**-	1/4"	1/4" NPT F	STEEL	3-WAY	7250 PSI	2.16	2.75	.25	2.68	2.04	.47
3KH-14-NPT-4425-**-	1/4"	1/4" NPT F	STAINLESS	3-WAY	7250 PSI	2.16	2.75	.25	2.68	2.04	.47
3KH-14-SAE-1123-**-	1/4"	7/8"-14 UNF	STEEL	3-WAY	7250 PSI	2.16	2.75	.25	2.68	2.04	.47
3KH-14-SAE-4425-**-	1/4"	7/8"-14 UNF	STAINLESS	3-WAY	7250 PSI	2.16	2.75	.25	2.68	2.04	.47
4KH-14-NPT-1123-**-	1/4"	1/4" NPT F	STEEL	4-WAY	7250 PSI	2.16	2.75	.25	2.68	2.04	.47
4KH-14-NPT-4425-**-	1/4"	1/4" NPT F	STAINLESS	4-WAY	7250 PSI	2.16	2.75	.25	2.68	2.04	.47
4KH-14-SAE-1123-**-	1/4"	7/8"-14 UNF	STEEL	4-WAY	7250 PSI	2.16	2.75	.25	2.68	2.04	.47
4KH-14-SAE-4425-**-	1/4"	7/8"-14 UNF	STAINLESS	4-WAY	7250 PSI	2.16	2.75	.25	2.68	2.04	.47
3KH-38-NPT-1123-**-	3/8"	3/8" NPT F	STEEL	3-WAY	7250 PSI	2.55	3.15	.25	2.79	2.17	.47
3KH-38-NPT-4425-**-	3/8"	3/8" NPT F	STAINLESS	3-WAY	7250 PSI	2.55	3.15	.25	2.79	2.17	.47
3KH-38-SAE-1123-**-	3/8"	9/16"-18 UNF	STEEL	3-WAY	7250 PSI	2.55	3.15	.25	2.79	2.17	.47
3KH-38-SAE-4425-**-	3/8"	9/16"-18 UNF	STAINLESS	3-WAY	7250 PSI	2.55	3.15	.25	2.79	2.17	.47
4KH-38-NPT-1123-**-	3/8"	3/8" NPT F	STEEL	4-WAY	7250 PSI	2.55	3.15	.25	2.79	2.17	.47
4KH-38-NPT-4425-**-	3/8"	3/8" NPT F	STAINLESS	4-WAY	7250 PSI	2.55	3.15	.25	2.79	2.17	.47
4KH-38-SAE-1123-**-	3/8"	9/16"-18 UNF	STEEL	4-WAY	7250 PSI	2.55	3.15	.25	2.79	2.17	.47
4KH-38-SAE-4425-**-	3/8"	9/16"-18 UNF	STAINLESS	4-WAY	7250 PSI	2.55	3.15	.25	2.79	2.17	.47
3KH-12-NPT-1123-**-	1/2"	1/2" NPT F	STEEL	3-WAY	5800 PSI	3.15	3.90	.34	3.03	2.36	.47
3KH-12-NPT-4425-**-	1/2"	1/2" NPT F	STAINLESS	3-WAY	5800 PSI	3.15	3.90	.34	3.03	2.36	.47
3KH-12-SAE-1123-**-	1/2"	3/4"-16 UNF	STEEL	3-WAY	5800 PSI	3.15	3.90	.34	3.03	2.36	.47
3KH-12-SAE-4425-**-	1/2"	3/4"-16 UNF	STAINLESS	3-WAY	5800 PSI	3.15	3.90	.34	3.03	2.36	.47
4KH-12-NPT-1123-**-	1/2"	1/2" NPT F	STEEL	4-WAY	5800 PSI	3.15	3.90	.34	3.03	2.36	.47
4KH-12-NPT-4425-**-	1/2"	1/2" NPT F	STAINLESS	4-WAY	5800 PSI	3.15	3.90	.34	3.03	2.36	.47
4KH-12-SAE-1123-**-	1/2"	3/4"-16 UNF	STEEL	4-WAY	5800 PSI	3.15	3.90	.34	3.03	2.36	.47
4KH-12-SAE-4425-**-	1/2"	3/4"-16 UNF	STAINLESS	4-WAY	5800 PSI	3.15	3.90	.34	3.03	2.36	.47
3KH-34-NPT-1123-**-	3/4"	3/4" NPT F	STEEL	3-WAY	5800 PSI	4.13	4.41	.34	3.52	2.79	.53
3KH-34-NPT-4425-**-	3/4"	3/4" NPT F	STAINLESS	3-WAY	5800 PSI	4.13	4.41	.34	3.52	2.79	.53
3KH-34-SAE-1123-**-	3/4"	1 1/16"-12 UNF	STEEL	3-WAY	5800 PSI	4.13	4.41	.34	3.52	2.79	.53
3KH-34-SAE-4425-**-	3/4"	1 1/16"-12 UNF	STAINLESS	3-WAY	5800 PSI	4.13	4.41	.34	3.52	2.79	.53
4KH-34-NPT-1123-**-	3/4"	3/4" NPT F	STEEL	4-WAY	5800 PSI	4.13	4.41	.34	3.52	2.79	.53
4KH-34-NPT-4425-**-	3/4"	3/4" NPT F	STAINLESS	4-WAY	5800 PSI	4.13	4.41	.34	3.52	2.79	.53
4KH-34-SAE-1123-**-	3/4"	1 1/16"-12 UNF	STEEL	4-WAY	5800 PSI	4.13	4.41	.34	3.52	2.79	.53
4KH-34-SAE-4425-**-	3/4"	1 1/16"-12 UNF	STAINLESS	4-WAY	5800 PSI	4.13	4.41	.34	3.52	2.79	.53

## CONSTRUCTION:

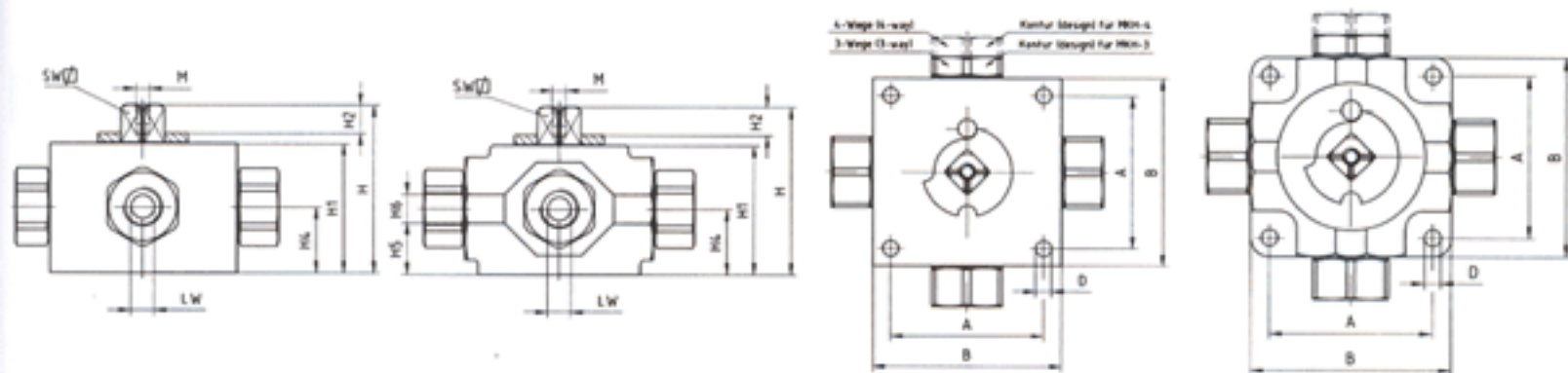
LAST 4 DIGITS:	DESCRIPTION:
-1125	CARBON STEEL BLOCK BODY, STEEL BALL AND STEM VITON® "O" RINGS, DELRIN® BALL SEATS
-4425	316-STAINLESS STEEL BODY, BALL AND STEM VITON® "O" RINGS, DELRIN® BALL SEATS

CONTINUED ON NEXT PAGE

\*\* – ADD PORTING PATTERN CHOICE FROM PAGE 70 TO END OF PART NUMBER.



# 3KH / 4KH SERIES MULTI-WAY BALL VALVES – SIZES 1" – 1 1/2"



PART NUMBER	NOMINAL SIZE	THREAD	MATERIAL	PORTING	WORKING PRESSURE	INCH DIMENSIONS					
						A	B	D	H	H1	H2
3KH-1-NPT-1123-**-	1"	1" NPT F	STEEL	3-WAY	5075 PSI	4.13	4.88	.43	3.86	3.11	.53
3KH-1-NPT-4425-**-	1"	1" NPT F	STAINLESS	3-WAY	5075 PSI	4.13	4.88	.43	3.86	3.11	.53
3KH-1-SAE-1123-**-	1"	15/16"-12 UNF	STEEL	3-WAY	5075 PSI	4.13	4.88	.43	3.86	3.11	.53
3KH-1-SAE-4425-**-	1"	15/16"-12 UNF	STAINLESS	3-WAY	5075 PSI	4.13	4.88	.43	3.86	3.11	.53
4KH-1-NPT-1123-**-	1"	1" NPT F	STEEL	4-WAY	5075 PSI	4.13	4.88	.43	3.86	3.11	.53
4KH-1-NPT-4425-**-	1"	1" NPT F	STAINLESS	4-WAY	5075 PSI	4.13	4.88	.43	3.86	3.11	.53
4KH-1-SAE-1123-**-	1"	15/16"-12 UNF	STEEL	4-WAY	5075 PSI	4.13	4.88	.43	3.86	3.11	.53
4KH-1-SAE-4425-**-	1"	15/16"-12 UNF	STAINLESS	4-WAY	5075 PSI	4.13	4.88	.43	3.86	3.11	.53
3KH-114-NPT-1123-**-	1"	1 1/4" NPT F	STEEL	3-WAY	5075 PSI	4.13	4.88	.43	3.86	3.11	.53
3KH-114-NPT-4425-**-	1"	1 1/4" NPT F	STAINLESS	3-WAY	5075 PSI	4.13	4.88	.43	3.86	3.11	.53
3KH-114-SAE-1123-**-	1"	15/8"-12 UNF	STEEL	3-WAY	5075 PSI	4.13	4.88	.43	3.86	3.11	.53
3KH-114-SAE-4425-**-	1"	15/8"-12 UNF	STAINLESS	3-WAY	5075 PSI	4.13	4.88	.43	3.86	3.11	.53
4KH-114-NPT-1123-**-	1"	1 1/4" NPT F	STEEL	4-WAY	5075 PSI	4.13	4.88	.43	3.86	3.11	.53
4KH-114-NPT-4425-**-	1"	1 1/4" NPT F	STAINLESS	4-WAY	5075 PSI	4.13	4.88	.43	3.86	3.11	.53
4KH-114-SAE-1123-**-	1"	15/8"-12 UNF	STEEL	4-WAY	5075 PSI	4.13	4.88	.43	3.86	3.11	.53
4KH-114-SAE-4425-**-	1"	15/8"-12 UNF	STAINLESS	4-WAY	5075 PSI	4.13	4.88	.43	3.86	3.11	.53
3KH-112-NPT-1123-**-	1 1/2"	1 1/2" NPT F	STEEL	3-WAY	915 PSI	5.91	7.76	.57	5.08	4.21	.63
3KH-112-NPT-4425-**-	1 1/2"	1 1/2" NPT F	STAINLESS	3-WAY	915 PSI	5.91	7.76	.57	5.08	4.21	.63
3KH-112-SAE-1123-**-	1 1/2"	17/8"-12 UNF	STEEL	3-WAY	915 PSI	5.91	7.76	.57	5.08	4.21	.63
3KH-112-SAE-4425-**-	1 1/2"	17/8"-12 UNF	STAINLESS	3-WAY	915 PSI	5.91	7.76	.57	5.08	4.21	.63
4KH-112-NPT-1123-**-	1 1/2"	1 1/2" NPT F	STEEL	4-WAY	915 PSI	5.91	7.76	.57	5.08	4.21	.63
4KH-112-NPT-4425-**-	1 1/2"	1 1/2" NPT F	STAINLESS	4-WAY	915 PSI	5.91	7.76	.57	5.08	4.21	.63
4KH-112-SAE-1123-**-	1 1/2"	17/8"-12 UNF	STEEL	4-WAY	915 PSI	5.91	7.76	.57	5.08	4.21	.63
4KH-112-SAE-4425-**-	1 1/2"	17/8"-12 UNF	STAINLESS	4-WAY	915 PSI	5.91	7.76	.57	5.08	4.21	.63

\*\* – ADD PORTING PATTERN CHOICE FROM PAGE 70 TO END OF PART NUMBER

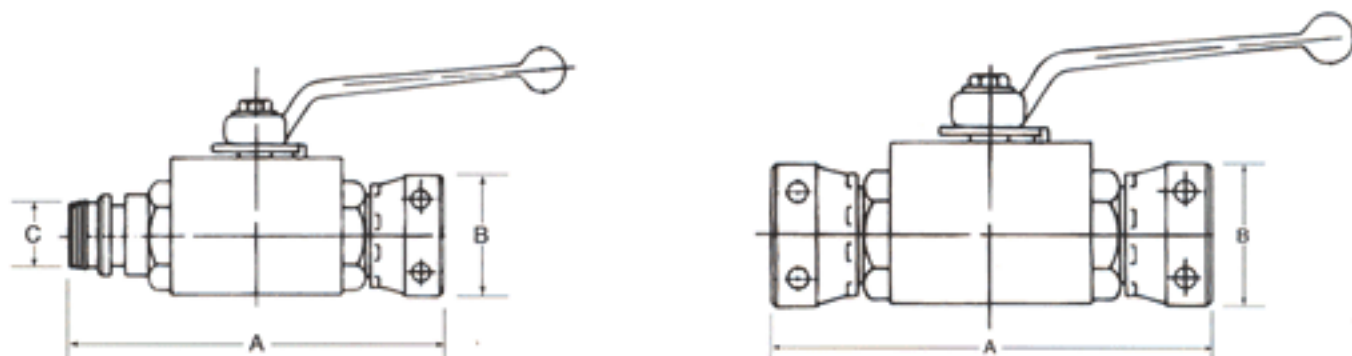


# STANDARD & SPECIAL OPERATING PORTINGS for MULTI-WAY BALL VALVES

ORDER NUMBER	BALL VALVE TYPE	OPERATION	OPERATION SYMBOLS	
01	3/2-Way ball valve with L-bore*	positive 0°-90°		
02	3/3-Way ball valve with L-bore* and additional bore	0°-45°-90°		
03	3/2-Way ball valve with T-bore*	positive 0°-90°		
04	3/3-Way ball valve with T-bore and additional bore	0°-45°-90°		
05	3/2-Way ball valve with T-bore and relief bore	0°-90°		
06	4/2-Way ball valve with X-bore*	0°-90°		
07	4/3-Way ball valve with X-bore and additional bore	0°-45°-90°		
08	4/2-Way ball valve with T-bore*	positive 0°-90°		
09	4/3-Way ball valve with T-bore*	positive 0°-90°-180°		
10	4/3-Way ball valve with L-bore and relief bore	0°-45°-90°		
11	3/2-Way ball valve with L-bore and additional L-bore	0°-45°		
12	3/3-Way ball valve with L-bore* and additional relief bore	0°-45°-90°		
13	2/2-Way ball valve	0°-90°		
14	4/3-Way ball valve with T-bore and cross bore	0°-45°-90°		
15	5/4-Way ball valve with L-bore vertical*	positive 0°-90°		
16	4/2-Way ball valve with cross bore	0°-45°		
17	4/3-Way ball valve with X-bore and additional T-bore	0°-45°-90°		
19	3/2-Way ball valve with T-bore	positive 0°-90°		
20	3/3-Way ball valve with T-bore*	positive 0°-90°-180°		

\* MIDDLE POSITION FIXING DEVICE OR LOCKING DEVICE RECOMMENDED.

# BBKH/BSKH SERIES HIGH PRESSURE BALL VALVES WITH STECKO CONNECTIONS



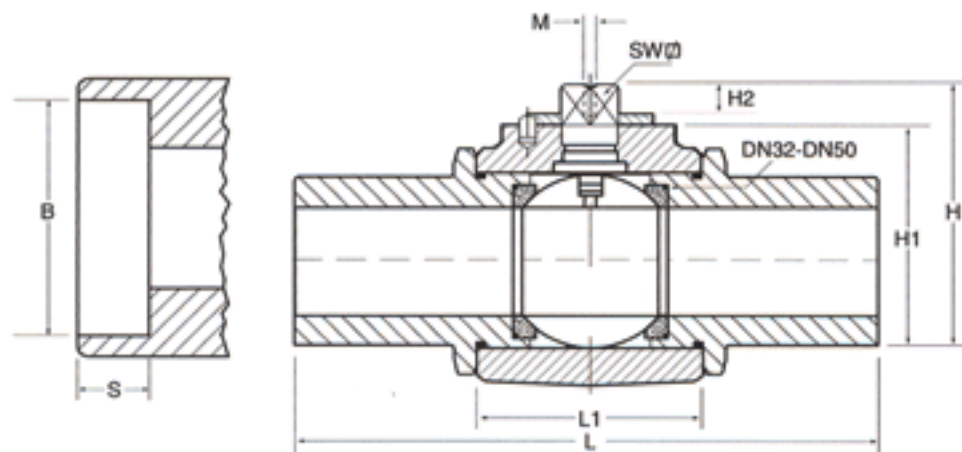
PART NUMBER	NOMINAL SIZE	DN SIZE	STECKO CONNECTION	WORKING PRESSURE	A	B	C
BBKH-06-1123-1-FF	1/4"	6	FxF	7250 PSI	4.17	.98	—
BBKH-06-1123-1-FM			FxM	7250 PSI	4.17	.98	.59
BBKH-10-1123-1-FF	3/8"	10	FxF	7250 PSI	4.45	1.18	—
BBKH-10-1123-1-FM			FxM	7250 PSI	4.45	1.18	.79
BBKH-13-1123-1-FF	1/2"	13	FxF	7250 PSI	4.65	1.26	—
BBKH-13-1123-1-FM			FxM	7250 PSI	4.65	1.26	.94
BBKH-20-1123-1-FF	3/4"	20	FxF	5800 PSI	5.43	1.57	—
BBKH-20-1123-1-FM			FxM	5800 PSI	5.31	1.57	1.14
BBKH-25-1123-1-FF	1"	25	FxF	5075 PSI	5.94	2.17	—
BBKH-25-1123-1-FM			FxM	5075 PSI	5.94	2.17	1.54
BSKH-32-3123-1-FF	1 1/4"	32	FxF	5075 PSI	6.54	2.36	—
BSKH-32-3123-1-FM			FxM	5075 PSI	6.50	2.36	1.81
BSKH-40-3123-1-FF	1 1/2"	40	FxF	5075 PSI	8.78	2.76	—
BSKH-40-3123-1-FM			FxM	5075 PSI	8.54	2.76	2.20
BSKH-50-3123-1-FF	2"	50	FxF	5075 PSI	9.37	3.15	—
BSKH-50-3123-1-FM			FxM	5075 PSI	8.58	3.15	2.52

## CONSTRUCTION:

LAST 5 DIGITS:	DESCRIPTION:
-1123-1	CARBON STEEL BLOCK BODY, STEEL BALL AND STEM BUNA N "O" RINGS DELTRIN® BALL SEATS YELLOW ZINC COATING
-3123-1	FORGED STEEL BODY, STEEL BALL AND STEM BUNA N "O" RINGS DELTRIN® BALL SEATS YELLOW ZINC COATING



# ASKH SERIES – BALL VALVES WITH SOCKET WELD ENDS – STEEL



PART NUMBER	NOMINAL SIZE	WORKING PRESSURE	L	L1	B	D	H	H1	H2	SW	M	S
ASKH-DN10-PN40-3143-SW		580 PSI				.51						
ASKH-DN10-PN100-3143-SW		1450 PSI				.51						
ASKH-DN10-PN160-3123-SW	3/8"	2320 PSI	10.63	1.65	.71	.51	1.95	1.50	.31	.35	M5	.39
ASKH-DN10-PN250-3123-SW		.47										
ASKH-DN10-PN320-3123-SW		.47										
ASKH-DN10-PN400-3123-SW		.39										
ASKH-DN15-PN40-3143-SW		580 PSI										
ASKH-DN15-PN100-3143-SW	1450 PSI				.67							
ASKH-DN15-PN160-3123-SW	5/8"	2320 PSI	10.63	1.85	.87	.67	2.44	1.81	.47	.47	M6	.39
ASKH-DN15-PN250-3123-SW		.63										
ASKH-DN15-PN320-3123-SW		.59										
ASKH-DN15-PN400-3123-SW		.67										
ASKH-DN20-PN40-3143-SW		580 PSI										
ASKH-DN20-PN100-3143-SW	1450 PSI				.87							
ASKH-DN25-PN40-3143-SW		580 PSI				1.12						
ASKH-DN25-PN100-3143-SW		1450 PSI				1.12						
ASKH-DN25-PN160-3123-SW	1"	2320 PSI	10.63	2.56	1.35	1.06	3.11	2.48	.47	.67	M6	.51
ASKH-DN25-PN250-3123-SW		1.04										
ASKH-DN25-PN320-3123-SW		.94										
ASKH-DN25-PN400-3123-SW		1.14										
ASKH-DN32-PN40-3143-SW		580 PSI										
ASKH-DN32-PN100-3143-SW	1450 PSI				1.28							
ASKH-DN40-PN40-3143-SW		580 PSI				1.69						
ASKH-DN40-PN100-3123-SW		1450 PSI				1.69						
ASKH-DN40-PN160-3123-SW	1 1/2"	2320 PSI	10.63	3.35	1.93	1.61	4.41	3.62	.53	.67	M8	.51
ASKH-DN40-PN250-3123-SW		1.52										
ASKH-DN40-PN320-3123-SW		1.42										
ASKH-DN40-PN400-3123-SW		1.57										
ASKH-DN50-PN40-3143-SW		580 PSI										
ASKH-DN50-PN100-3123-SW	1450 PSI				2.13							
ASKH-DN50-PN160-3123-SW	2"	2320 PSI	11.81	3.94	2.43	2.07	6.34	4.57	.53	.75	M8	.63
ASKH-DN50-PN250-3123-SW		1.77										
ASKH-DN50-PN320-3123-SW		2.34										
ASKH-DN50-PN400-3123-SW		1.95										
ASKH-DN50-PN400-3123-SW		5800 PSI										

## CONSTRUCTION:

### LAST 4 DIGITS:

-3123

-3143

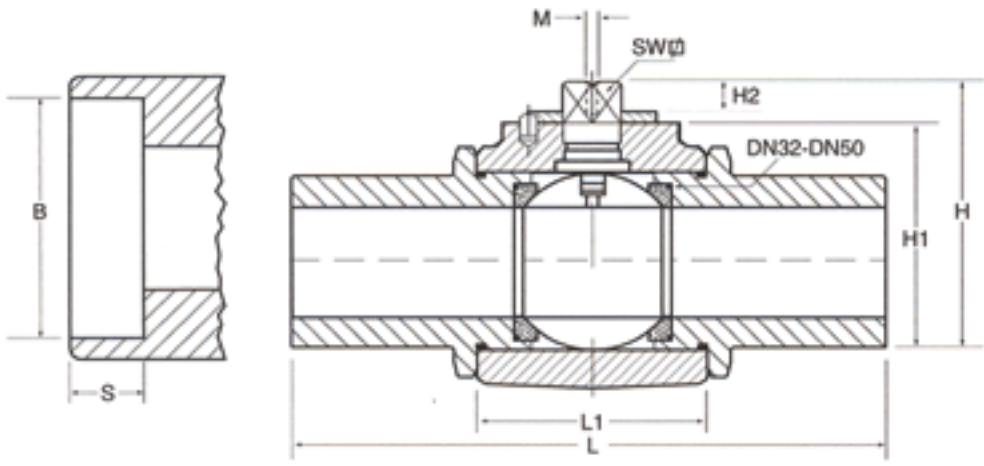
### DESCRIPTION:

**FORGED STEEL BODY, STEEL BALL AND STEM  
BUNA N "O" RINGS, DELRIN® BALL SEATS**

**FORGED STEEL BODY, STEEL BALL AND STEM  
BUNA N "O" RINGS, TEFLON BALL SEATS**

\* PN160-400 AVAILABLE ON 3/4" AND 1 1/4". CONTACT PCI FOR DETAILS.

# ARKH SERIES – BALL VALVES WITH SOCKET WELD ENDS – STAINLESS STEEL



PART NUMBER	NOMINAL SIZE	WORKING PRESSURE	L	L1	B	D	H	H1	H2	SW	M	S
ARKH-DN10-PN40-4425-SW		580 PSI				.51						
ARKH-DN10-PN100-4425-SW		1450 PSI				.51						
ARKH-DN10-PN160-4425-SW	3/8"	2320 PSI	10.63	1.65	.71	.51	1.95	1.50	.31	.35	M5	.39
ARKH-DN10-PN250-4425-SW		3625 PSI				.47						
ARKH-DN10-PN320-4425-SW		4640 PSI				.47						
ARKH-DN10-PN400-4425-SW		5800 PSI				.39						
ARKH-DN15-PN40-4425-SW		580 PSI										
ARKH-DN15-PN100-4425-SW	1450 PSI				.67							
ARKH-DN15-PN160-4425-SW	5/8"	2320 PSI	10.63	1.85	.87	.67	2.44	1.81	.47	.47	M6	.39
ARKH-DN15-PN250-4425-SW		3625 PSI				.63						
ARKH-DN15-PN320-4425-SW		4640 PSI				.59						
ARKH-DN15-PN400-4425-SW		5800 PSI				.67						
ARKH-DN20-PN40-4425-SW		580 PSI										
ARKH-DN20-PN100-4425-SW	1450 PSI				.87							
ARKH-DN25-PN40-4425-SW		580 PSI				1.12						
ARKH-DN25-PN100-4425-SW		1450 PSI				1.12						
ARKH-DN25-PN160-4425-SW	1"	2320 PSI	10.63	2.56	1.35	1.06	3.11	2.48	.47	.67	M6	.51
ARKH-DN25-PN250-4425-SW		3625 PSI				1.04						
ARKH-DN25-PN320-4425-SW		4640 PSI				.94						
ARKH-DN25-PN400-4425-SW		5800 PSI				1.14						
ARKH-DN32-PN40-4425-SW		580 PSI										
ARKH-DN32-PN100-4425-SW	1450 PSI				1.28							
ARKH-DN40-PN40-4425-SW		580 PSI				1.69						
ARKH-DN40-PN100-4425-SW		1450 PSI				1.69						
ARKH-DN40-PN160-4425-SW	1 1/2"	2320 PSI	10.63	3.35	1.93	1.61	4.41	3.62	.53	.67	M8	.51
ARKH-DN40-PN250-4425-SW		3625 PSI				1.52						
ARKH-DN40-PN320-4425-SW		4640 PSI				1.42						
ARKH-DN40-PN400-4425-SW		5800 PSI				1.57						
ARKH-DN50-PN40-4425-SW		580 PSI										
ARKH-DN50-PN100-4425-SW	1450 PSI				2.13							
ARKH-DN50-PN160-4425-SW	2"	2320 PSI	11.81	3.94	2.43	2.07	6.34	4.57	.53	.75	M8	.63
ARKH-DN50-PN250-4425-SW		3625 PSI				1.77						
ARKH-DN50-PN320-4425-SW		4640 PSI				2.34						
ARKH-DN50-PN400-4425-SW		5800 PSI				1.95						

**CONSTRUCTION:**

\* PN160-400 AVAILABLE ON 3/4" AND 1 1/4". CONTACT PCI FOR DETAILS.

**LAST 4 DIGITS:**

**DESCRIPTION:**

-4425 316-STAINLESS STEEL BODY, BALL AND STEM  
 VITON® "O" RINGS  
 DELRIN® BALL SEATS



# HIGH PRESSURE BALL VALVE ACCESSORIES



Handle Lock-Out

STEEL AND STAINLESS



Cranked Handle

STEEL AND STAINLESS



Flat Handle

RED ALUMINUM

## COMPLETE BALL SEAT AND "O" RING REPLACEMENT KIT

### DELTRIN BALL SEATS – BUNA N "O" RINGS

PART NUMBER	REBUILDS
BKH-14-KIT-1123	RKH-BKH-BK3 / 1/4"
BKH-38-KIT-1123	RKH-BKH-BK3 / 3/8"
BKH-12-KIT-1123	RKH-BKH-BK3 / 1/2"
BKH-34-KIT-1123	RKH-BKH-BK3 / 3/4"
BKH-1-KIT-1123	RKH-BKH-BK3 / 1"- 1 1/2"
SKH-114-KIT-3123	RKH-SKH-SK3 / 1 1/4"
SKH-112-KIT-3123	RKH-SKH-SK3 / 1 1/2"
SKH-2-KIT-3123	RKH-SKH-SK3 / 2"

### HANDLE STOP PLATES

PART NUMBER	DESCRIPTION
SP-09	Stop Plate for BKH / BK3 / RKH 1/4"-1/2"
SP-12	Stop Plate for BK3 / 4KH 1/4"-1/2"
SP-14	Stop Plate for BKH / BK3 / RKH 3/4"-1"
SP-17	Stop Plate for SKH / SK3 / RKH 1 1/4"-2"

### ACTUATOR MOUNTING PADS

PART NUMBER	DESCRIPTION
MP-09	4 Hole Pad for RKH 1/4"-1/2"
MP-12	4 Hole Pad for RKH 5/8"
MP-14	4 Hole Pad for RKH 3/4"-1"
MP-17	4 Hole Pad for RKH 1 1/4"-2"

### HANDLES

PART NUMBER	DESCRIPTION
SW-09-S	Steel Cranked Handle 1/4"-1/2"
SW-09-A	Aluminum Flat Handle 1/4"-1/2"
SW-09-SS	Stainless Cranked Handle 1/4"-1/2"
SW-12-S	Steel Cranked Handle 5/8"
SW-12-A	Aluminum Flat Handle 5/8"
SW-12-SS	Stainless Cranked Handle 5/8"
SW-14-S	Steel Cranked Handle 3/4"-1"
SW-14-A	Aluminum Flat Handle 3/4"-1"
SW-14-SS	Stainless Cranked Handle 3/4"-1"
SW-17-S	Steel Cranked Handle 1 1/4"-2"
SW-17-A	Aluminum Flat Handle 1 1/4"-2"
SW-17-SS	Stainless Cranked Handle 1 1/4"-2"

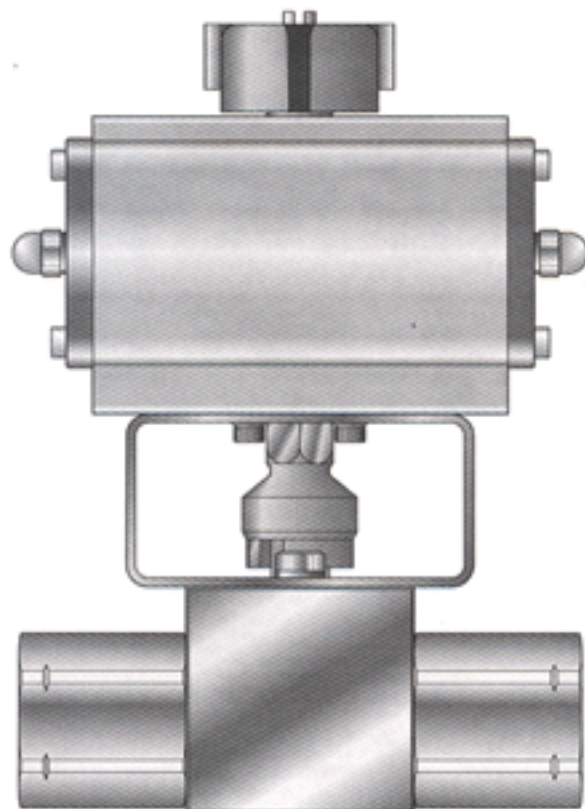
### DELTRIN BALL SEATS – VITON® "O" RINGS

PART NUMBER	REBUILDS
BKH-14-KIT-1125	RKH-BKH-BK3 / 1/4"
BKH-38-KIT-1125	RKH-BKH-BK3 / 3/8"
BKH-12-KIT-1125	RKH-BKH-BK3 / 1/2"
BKH-34-KIT-1125	RKH-BKH-BK3 / 3/4"
BKH-1-KIT-1125	RKH-BKH-BK3 / 1"- 1 1/2"
SKH-114-KIT-3125	RKH-SKH-SK3 / 1 1/4"
SKH-112-KIT-3125	RKH-SKH-SK3 / 1 1/2"
SKH-2-KIT-3125	RKH-SKH-SK3 / 2"

### HANDLE LOCK-OUT KITS

PART NUMBER	DESCRIPTION
LK-1	Steel Lock-Out for BKH / BK3 / RKH 1/4"-1/2"
LK-1-SS	Stainless Lock-Out for BKH / BK3 / RKH 1/4"-1/2"
LK-2	Steel Lock-Out for BKH / BK3 / RKH 3/4"-1 1/2"
LK-2-SS	Stainless Lock-Out for BKH / BK3 / RKH 3/4"-1"
LK-3	Steel Lock-Out for SKH / SK3 / RKH 1 1/4"-2"
LK-3-SS	Stainless Lock-Out for SKH / SK3 / RKH 1 1/4"-2"

PCI offers a complete line of electric, hydraulic and pneumatic actuators, fully tested and mounted on our high-pressure ball valves. See below:

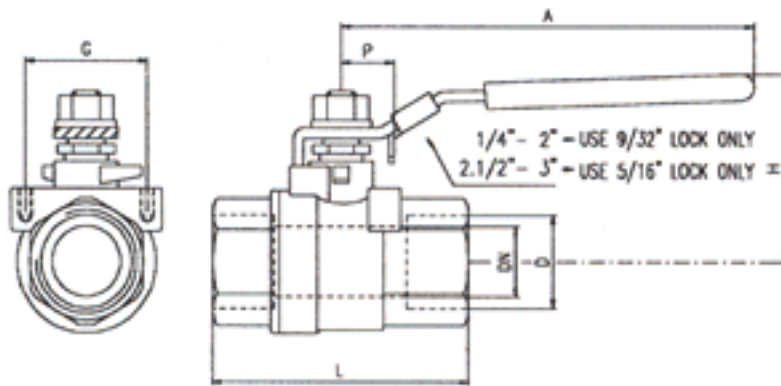


Fax or e-mail us (Fax: (440) 349-3653, E-mail: [prescomp@aol.com](mailto:prescomp@aol.com)) with your actuated valve requirements using the following guidelines:

- Type of actuator (electric, hydraulic or pneumatic?)
- Operation (double acting or spring return?)
- Media?
- Maximum system pressure?
- Temperature?
- Specifications on electric or pneumatic service available?
- Environment (is weatherproofing required?)



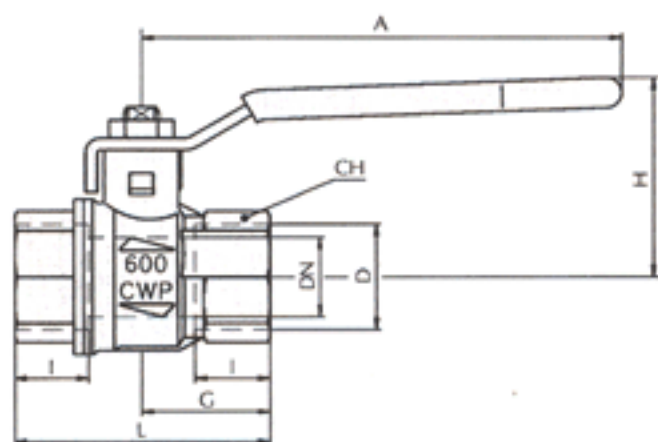
# SLB SERIES 1000 PSI FULL PORT VALVES – STAINLESS STEEL



PART NUMBER	NOMINAL SIZE	WORKING PRESSURE	THREAD	D	DN	INCH DIMENSIONS				
						P	L	G	A	H
SLB-14-NPT-LH	1/4"	1000 PSI	1/4" NPT F	1/4	.43	.50	1.97	1.12	3.78	2.13
SLB-38-NPT-LH	3/8"	1000 PSI	3/8" NPT F	3/8	.49	.50	1.97	1.12	3.78	2.13
SLB-12-NPT-LH	1/2"	1000 PSI	1/2" NPT F	1/2	.63	.50	2.44	1.12	3.78	2.24
SLB-34-NPT-LH	3/4"	1000 PSI	3/4" NPT F	3/4	.79	.88	2.80	1.38	4.96	2.70
SLB-1-NPT-LH	1"	1000 PSI	1" NPT F	1	.98	.88	3.27	1.38	4.96	2.85
SLB-114-NPT-LH	1 1/4"	1000 PSI	1 1/4" NPT F	1 1/4	1.26	.95	3.82	1.50	7.01	3.56
SLB-112-NPT-LH	1 1/2"	1000 PSI	1 1/2" NPT F	1 1/2	1.50	.95	4.04	1.50	7.01	3.74
SLB-2-NPT-LH	2"	1000 PSI	2" NPT F	2	2.01	.95	4.92	1.50	7.01	4.11
SLB-212-NPT-LH	2 1/2"	1000 PSI	2 1/2" NPT F	2 1/2	2.56	1.75	6.02	2.56	9.61	4.72
SLB-3-NPT-LH	3"	1000 PSI	3" NPT F	3	3.15	1.75	6.85	2.56	9.61	5.16

**CONSTRUCTION:** "316" STAINLESS STEEL BODY, BALL AND STEM  
 PURE PTFE SEATS  
 BLOWOUT PROOF STEMS  
 MOUNTING PAD STANDARD  
 LOCKING HANDLE STANDARD  
 150 WSP STEAM RATED  
 -20°F – +350°F TEMP RATING  
 FULL PORT ALL SIZES

# 171N SERIES – 600 W.O.G. FULL PORT VALVES – BRASS



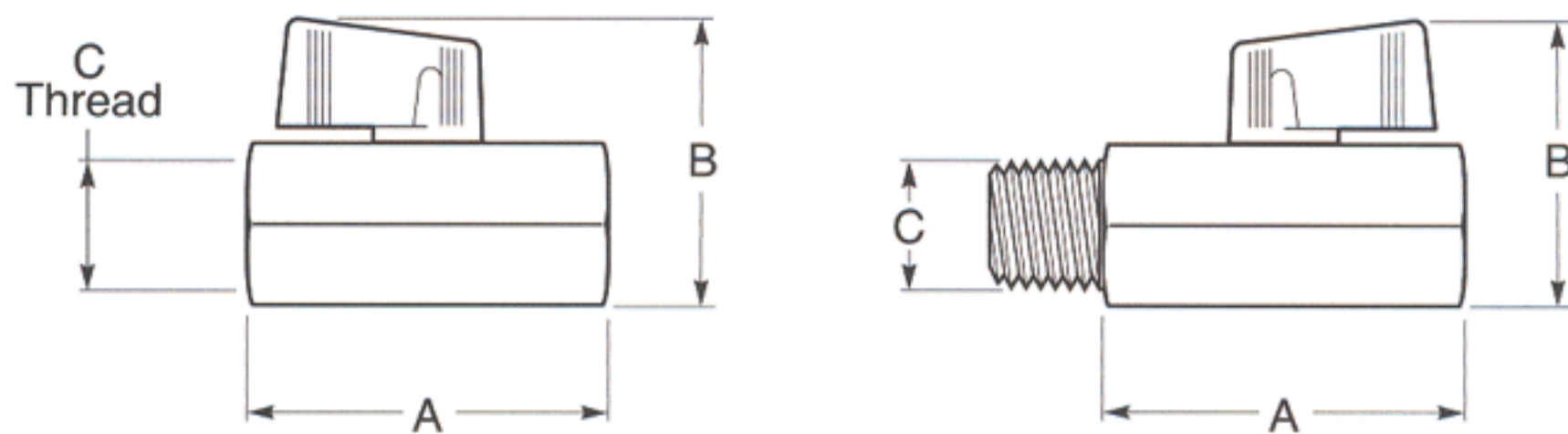
PART NUMBER	NOMINAL SIZE	WORKING PRESSURE	THREAD	D	DN	I	INCH DIMENSIONS			H	CH
							L	G	A		
171N-14-NPT	1/4"	600 PSI	1/4" NPT F	1/4							
171N-14-NPT-LH	1/4"	600 PSI	1/4" NPT F	1/4	.31	.47	1.77	.89	3.23	1.50	.79
171N-38-NPT	3/8"	600 PSI	3/8" NPT F	3/8							
171N-38-NPT-LH	3/8"	600 PSI	3/8" NPT F	3/8	.39	.47	1.77	.89	3.23	1.50	.79
171N-12-NPT	1/2"	600 PSI	1/2" NPT F	1/2							
171N-12-NPT-LH	1/2"	600 PSI	1/2" NPT F	1/2	.59	.61	2.32	1.16	3.94	1.69	.98
171N-34-NPT	3/4"	600 PSI	3/4" NPT F	3/4							
171N-34-NPT-LH	3/4"	600 PSI	3/4" NPT F	3/4	.79	.67	2.52	1.26	4.72	1.97	1.22
171N-1-NPT	1"	600 PSI	1" NPT F	1							
171N-1-NPT-LH	1"	600 PSI	1" NPT F	1	.98	.83	3.18	1.59	4.72	2.13	1.57
171N-114-NPT	1 1/4"	600 PSI	1 1/4" NPT F	1 1/4							
171N-114-NPT-LH	1 1/4"	600 PSI	1 1/4" NPT F	1 1/4	1.26	.91	3.66	1.83	6.22	2.87	1.93
171N-112-NPT	1 1/2"	600 PSI	1 1/2" NPT F	1 1/2							
171N-112-NPT-LH	1 1/2"	600 PSI	1 1/2" NPT F	1 1/2	1.57	.91	4.02	2.00	6.22	3.11	2.13
171N-2-NPT	2"	600 PSI	2" NPT F	2							
171N-2-NPT-LH	2"	600 PSI	2" NPT F	2	1.97	1.04	4.76	2.38	6.22	3.39	2.70
171N-212-NPT	2 1/2"	600 PSI	2 1/2" NPT F	2 1/2							
171N-212-NPT-LH	2 1/2"	600 PSI	2 1/2" NPT F	2 1/2	2.56	1.26	6.14	3.07	10.04	5.20	3.35
171N-3-NPT	3"	600 PSI	3" NPT F	3							
171N-3-NPT-LH	3"	600 PSI	3" NPT F	3	3.15	1.38	6.97	3.48	10.04	5.51	3.90
171N-4-NPT	4"	600 PSI	4" NPT F	4							
171N-4-NPT-LH	4"	600 PSI	4" NPT F	4	3.94	1.63	8.50	4.25	10.04	6.06	4.92

**CONSTRUCTION:** HOT FORGED SAND BLASTED BRASS BODY  
 BLOWOUT PROOF NICKEL-PLATED BRASS STEM  
 DOUBLE VITON® "O" RINGS IN STEM  
 GLASS FILLED PTFE SEATS  
 AGA-CGA APPROVED  
 -4°F – +350°F TEMP RATING  
 UL LISTED

**NOTE:** -LH SUFFIX = LOCKING HANDLE INCLUDED. VALVES AVAILABLE WITH ISO 5211 MOUNTING PAD FOR DIRECT MOUNT ACTUATION IN SIZES 1/4"- 2". CONTACT PCI FOR DETAILS.



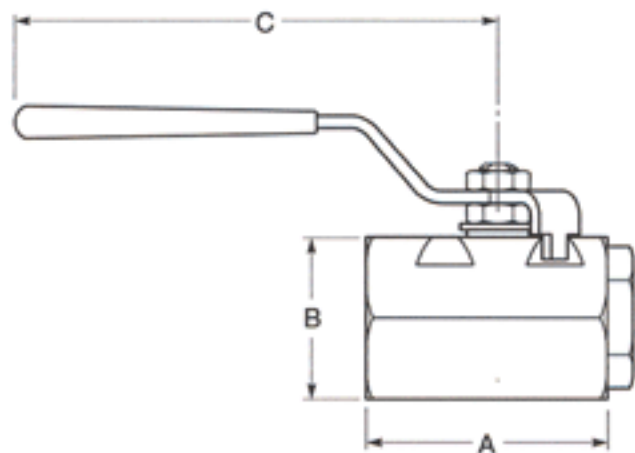
# 383 SERIES LOW PRESSURE WEDGE HANDLE BALL VALVES – CHROME-PLATED BRASS



PART NUMBER	NOMINAL SIZE	THREAD (C)	WORKING PRESSURE	INCH DIMENSIONS	
				A	B
383N-18-NPT	1/8"	1/8" NPT F x F	450 PSI	1.71	1.50
383M-18-NPT	1/8"	1/8" NPT F x M	450 PSI		
383N-14-NPT	1/4"	1/4" NPT F x F	450 PSI	1.71	1.50
383M-14-NPT	1/4"	1/4" NPT F x M	450 PSI		
383N-38-NPT	3/8"	3/8" NPT F x F	450 PSI	1.71	1.50
383M-38-NPT	3/8"	3/8" NPT F x M	450 PSI		
383N-12-NPT	1/2"	1/2" NPT F x F	450 PSI	2.10	1.73
383M-12-NPT	1/2"	1/2" NPT F x M	450 PSI		

**CONSTRUCTION:** ONE-PIECE SAND BLASTED BRASS BODY  
 CHROME PLATED  
 BLOWOUT PROOF STEM  
 VITON® "O" RINGS  
 PTFE SEATS  
 UL LISTED  
 -4°F – +200°F TEMPERATURE RATING

# MPV SERIES MEDIUM PRESSURE BALL VALVES – STEEL



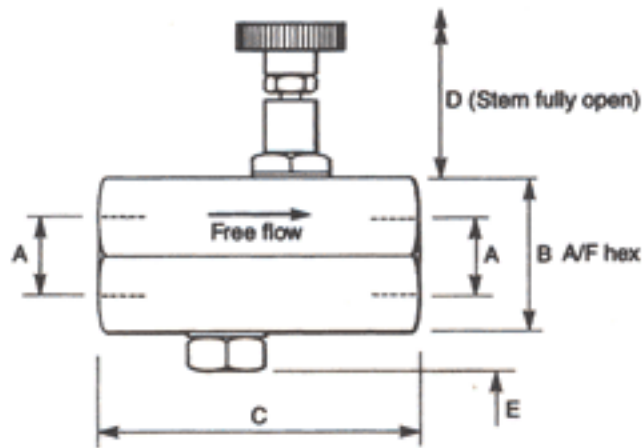
PART NUMBER	NOMINAL SIZE	THREAD	WORKING PRESSURE	A	B	C
MPV-14-NPT MPV-14-SAE	1/4"	1/4" NPT F 7/16"-20	3000 PSI	2.00	1.06	3.78
MPV-38-NPT MPV-38-SAE	3/8"	3/8" NPT F 9/16"-18	3000 PSI	2.00	1.06	3.78
MPV-12-NPT MPV-12-SAE	1/2"	1/2" NPT F 3/4"-16	3000 PSI	2.72	1.62	4.78
MPV-34-NPT MPV-34-SAE	3/4"	3/4" NPT F 1 1/16"-12	3000 PSI	3.49	1.88	4.78
MPV-1-NPT MPV-1-SAE	1"	1" NPT F 1 5/16"-12	3000 PSI	3.93	2.50	6.10

**CONSTRUCTION: STEEL BODY, BALL & STEM**  
**CARBON/GRAPHITE FILLED PTFE SEATS AND SEALS**  
**TEMP RATING -20°F – 425°F**  
**FULL PORT**

**NOTE: LOCKING HANDLE NOT AVAILABLE FOR MPV SERIES. CONSIDER USING BKH SERIES AS AN ALTERNATIVE.**



# FCV SERIES – IN-LINE FLOW CONTROL VALVE



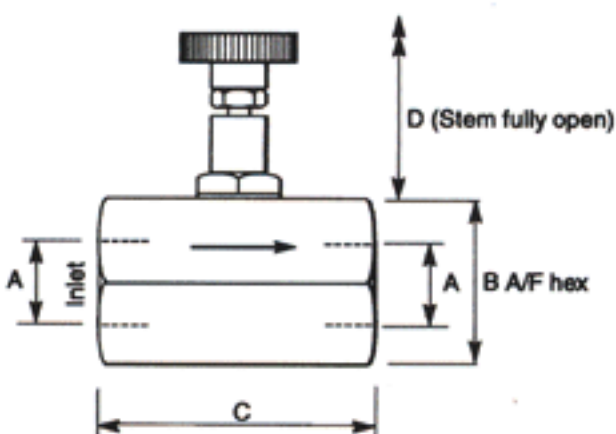
PART NUMBER	NOMINAL SIZE	(A) THREAD	WORKING PRESSURE	INCH DIMENSIONS			
				B	C	D	E
FCV2818-2	1/4"	1/4" NPT F	5075 PSI	.98	2.52	1.57	.39
FCV2817-2	1/4"	1/4" BSPP	5075 PSI	.98	2.52	1.57	.39
FCV2818-3	3/8"	3/8" NPT F	5075 PSI	1.30	2.99	1.57	.47
FCV2817-3	3/8"	3/8" BSPP	5075 PSI	1.30	2.99	1.57	.47
FCV2818-4	1/2"	1/2" NPT F	5075 PSI	1.42	2.99	1.57	.51
FCV2817-4	1/2"	1/2" BSPP	5075 PSI	1.42	2.99	1.57	.51
FCV2818-6	3/4"	3/4" NPT F	5075 PSI	1.67	3.54	2.40	.79
FCV2817-6	3/4"	3/4" BSPP	5075 PSI	1.67	3.54	2.40	.79

## FACTORS

SIZE	ORIFICE DIAMETER	CV FREE FLOW	CV CONTROLLED FLOW	CRACKING PRESSURE
1/4"	.16	0.70	0.44	2.9
3/8"	.26	1.14	0.90	2.9
1/2"	.28	1.74	1.32	2.9
3/4"	.34	2.90	2.02	2.9

**CONSTRUCTION:** BODY AND ASSEMBLY - STEEL  
STEM - STAINLESS STEEL  
SEALS - VITON®

# NVI SERIES - IN-LINE NEEDLE VALVE



PART NUMBER	NOMINAL SIZE	(A) THREAD	WORKING PRESSURE	INCH DIMENSIONS		
				B	C	D
NVI-2810-2	1/4"	1/4" NPT F	5075 PSI	.98	2.05	1.57
NVI-2811-2	1/4"	1/4" BSPP	5075 PSI	.98	2.05	1.57
NVI-2810-3	3/8"	3/8" NPT F	5075 PSI	1.30	2.36	1.57
NVI-2811-3	3/8"	3/8" BSPP	5075 PSI	1.30	2.36	1.57
NVI-2810-4	1/2"	1/2" NPT F	5075 PSI	1.42	2.36	1.57
NVI-2811-4	1/2"	1/2" BSPP	5075 PSI	1.42	2.36	1.57
NVI-2810-6	3/4"	3/4" NPT F	5075 PSI	1.67	2.83	2.40
NVI-2811-6	3/4"	3/4" BSPP	5075 PSI	1.67	2.83	2.40

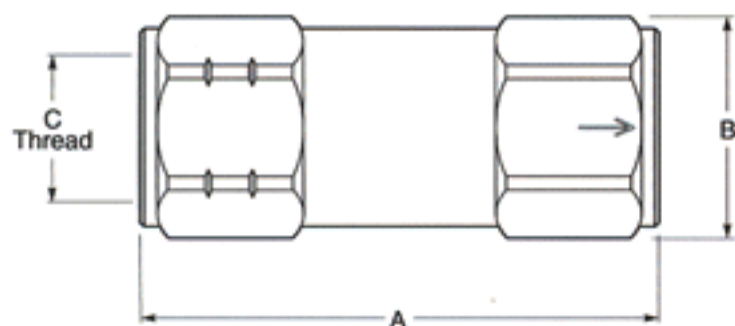
## FACTORS

SIZE	ORIFICE DIAMETER	CV
1/4"	.15	0.39
3/8"	.26	0.93
1/2"	.28	1.12
3/4"	.34	2.00

**CONSTRUCTION:** BODY AND ASSEMBLY - STEEL  
STEM - STAINLESS STEEL  
SEALS - VITON®



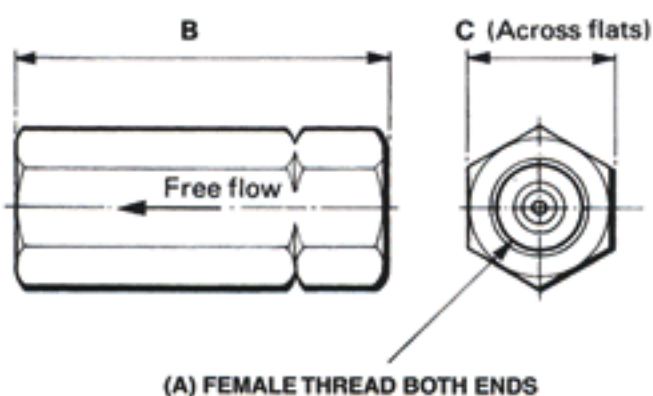
# VU SERIES – SOFT SEAT IN-LINE CHECK VALVES



PART NUMBER	NOMINAL SIZE	WORKING PRESSURE	THREAD (C)	CRACKING PRESSURE	RATED FLOW	A	B (HEX)
VU-14-F-7	1/4"	10,000 PSI	1/4" NPT F	7 PSI	5.8 GPM	1.97	.75
VU-14-F-70				70 PSI	5.8 GPM		
VU-38-F-7	3/8"	10,000 PSI	3/8" NPT F	7 PSI	9.47 GPM	2.36	.91
VU-38-F-70				70 PSI	9.47 GPM		
VU-12-F-7	1/2"	7350 PSI	1/2" NPT F	7 PSI	17.9 GPM	2.76	1.06
VU-12-F-70				70 PSI	17.9 GPM		
VU-34-F-7	3/4"	7350 PSI	3/4" NPT F	7 PSI	29.7 GPM	3.39	1.38
VU-34-F-70				70 PSI	29.7 GPM		
VU-1-F-7	1"	7350 PSI	1" NPT F	7 PSI	35.8 GPM	3.94	1.62
VU-1-F-70				70 PSI	35.8 GPM		
VU-114-F-7	1 1/4"	4410 PSI	1 1/4" NPT F	7 PSI	59.7 GPM	5.12	2.16
VU-114-F-70				70 PSI	59.7 GPM		
VU-112-F-7	1 1/2"	4410 PSI	1 1/2" NPT F	7 PSI	90.8 GPM	5.31	2.56
VU-112-F-70				70 PSI	90.8 GPM		
VU-2-F-7	2"	4410 PSI	2" NPT F	7 PSI	144.7 GPM	5.91	2.95
VU-2-F-70				70 PSI	144.7 GPM		

**CONSTRUCTION:** CARBON STEEL BODY AND VALVE - ZINC PLATED  
 STAINLESS STEEL SPRINGS  
 BUNA N POPPET "O" RINGS,

# HSP SERIES – HARD SEAT IN-LINE CHECK VALVES



PART NUMBER	NOMINAL SIZE	WORKING PRESSURE	THREAD (A)	CRACKING PRESSURE	RATED FLOW	B	C (HEX)
HSP-1000-2-5 HSP-1000-2-65	1/4"	6000 PSI	1/4" NPT F	5 65	6 GPM	2.44	.87
HSP-1001-4-5 HSP-1001-4-65	1/4"	6000 PSI	7/16"-20 SAE	5 65	6 GPM	2.44	.87
HSP-1000-3-5 HSP-1000-3-65	3/8"	6000 PSI	3/8"- NPT F	5 65	9.5 GPM	2.87	.95
HSP-1001-6-5 HSP-1001-6-65	3/8"	6000 PSI	9/16"-18 SAE	5 65	9.5 GPM	2.87	.95
HSP-1000-4-5 HSP-1000-4-65	1/2"	5000 PSI	1/2"- NPT F	5 65	18 GPM	3.50	1.14
HSP-1001-8-5 HSP-1001-8-65	1/2"	5000 PSI	3/4"-16 SAE	5 65	18 GPM	3.50	1.14
HSP-1000-6-5 HSP-1000-6-65	3/4"	5000 PSI	3/4"- NPT F	5 65	30 GPM	4.25	1.50
HSP-1001-12-5 HSP-1001-12-65	3/4"	5000 PSI	1 1/16"-12 SAE	5 65	30 GPM	4.25	1.50
HSP-1000-8-5 HSP-1000-8-65	1"	5000 PSI	1"- NPT F	5 65	35 GPM	5.12	1.69
HSP-1001-16-5 HSP-1001-16-65	1"	5000 PSI	1 5/16"-12 SAE	5 65	35 GPM	5.12	1.69
HSP-1000-10-5 HSP-1000-10-65	1 1/4"	3000 PSI	1 1/4"- NPT F	5 65	60 GPM	5.56	2.40
HSP-1001-20-5 HSP-1001-20-65	1 1/4"	3000 PSI	1 5/8"-12 SAE	5 65	60 GPM	5.56	2.40
HSP-1000-12-5 HSP-1000-12-65	1 1/2"	3000 PSI	1 1/2"- NPT F	5 65	90 GPM	5.56	2.56
HSP-1001-24-5 HSP-1001-24-65	1 1/2"	3000 PSI	1 7/8"-12 SAE	5 65	90 GPM	5.56	2.56
HSP-1000-16-5 HSP-1000-16-65	2"	3000 PSI	2"- NPT F	5 65	145 GPM	7.91	3.15

**CONSTRUCTION:** CARBON STEEL BODY  
BLACK OXIDE COATING  
METAL SEAT FOR CORROSIVE FLUIDS