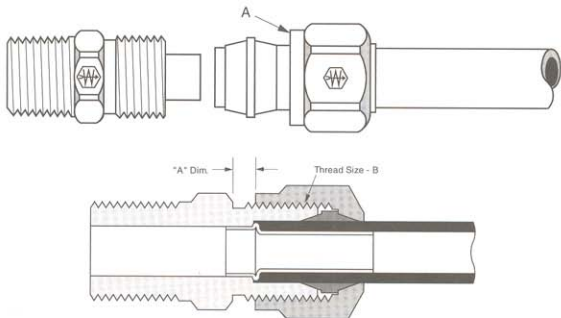


Air Brake - Nylon Tubing

Brass
Fittings

Refer to safety information regarding tubing selection on page 1.



Tube O.D.	1/4	3/8	1/2	5/8	3/4
Thread Size-B	7/16-24	17/32-24	11/16-20	13/16-18	1-18

• Typical Application

Air brake systems except where temperatures exceed +200°F or where battery acid can drip on tubing.

• Pressure

Maximum operating pressure of 150 psi.

• Vibration

Fair resistance.

• Temperature Range

-40°F to +200°F (-40°C to +93°C)

• Material

CA360 Brass.

• Used With

NT100 Nylon Tubing - SAE J844 Type A and B. See page 33 for NT100 Nylon Tubing data.

• Advantages

Easy to assemble (no tube preparation or flaring required.) Built in tube support. May be used with copper tubing by replacing nut, sleeve and insert with long nut and spherical sleeve. Insert should be removed for copper tubing use. See page 97 for details.

• Conformance

Meets specifications and standards of SAE and DOT FMVSS 571.106.

• How to Order

For complete assemblies (body, nuts and sleeves), order by catalog number. Example: 1468x4x4. To order body only (less nut and sleeve), add prefix "B" to catalog number and change "14" to "13". Example: B1368x4x4. Nuts, sleeve and insert can be ordered separately by catalog number.

To order complete assembly with pipe sealant (Seal-A-Thread), add suffix "Z" to catalog number. Example: 1468x4x4Z (special order only).

To order complete assembly with gauge ring, add suffix "K" to catalog number. Example: 1468x4x4K (special order only).

• NOTE

Refer to current price list for availability of cataloged items. Quotations and delivery of non-stock items supplied on request. Configurations and dimensions subject to change without notice. Additional information can be found in SAE J246.

• Assembly Instructions

1. Cut tubing to desired length.
2. Slide nut and then sleeve on tubing. Threaded end of nut "A" must face toward fitting body.
3. Insert tubing into the preassembled fitting. Be sure tubing is bottomed in fitting.
4. Tighten nut to required torque as indicated on chart. Another check on proper assembly is dimension A also noted on chart. A gauge ring also assures installation to specification. See page 96.

Tube Size	Torque	A Dimension
1/4	85 to 115 in. lbs.	.085/105
3/8	12 to 17 ft. lbs.	.125/.145
1/2	25 to 33 ft. lbs.	.100/.120
5/8	26 to 35 ft. lbs.	.115/.135
3/4	38 to 50 ft. lbs.	.180/.200

Disassembly: Remove nut and pull tubing out of fitting body. INSERT will remain in tubing.

Reassembly: Push tubing and insert into fitting body until it bottoms. Thread nut onto fitting body and torque as in Step 4.

Label Set: FS-900 (adhesive)
CL-16-3 (non-adhesive)

 Refer to safety information on page 1 & 2.



 **WARNING:** Must be used in a well ventilated area!

T-560 • MAGNATORCH BRAZING MACHINE

The new Magnatorch Brazing Machine from Weatherhead is perfect for making large numbers of FOR-SEAL® Tube Fitting Assemblies. By providing 360 degree induction heating, the brazing process is fast, clean and flameless. A heavy duty cart is also provided with table top work area, vise, and storage drawer to make up a complete brazing station. The T-560 includes one each of the following:

Catalog Number	Qty.	Description
T-560-1	1	Magnatorch Power Source
T-560-2	1	Magnatorch Water System
T-560-3	1	Magnatorch Induction Torch
T-560-4	1	Magnatorch Power Cables
T-560-5	1	Magnatorch Heating Coil #1 (1-1/4 I.D.)
T-560-6	1	Magnatorch Heating Coil #2 (1-5/16 I.D.)
T-560-7	1	Magnatorch Heating Coil #3 (2-1/4 I.D.)
T-560-8	1	Magnatorch Torch Cart

LABEL SETS

for FC-16X, C-63X and C-632X Cabinets



Full assortment available. Each label contains catalog number, illustration, size data and color coding for quick, positive identification of parts. Labels slide easily into slots on drawers and dividers.

Catalog Number	Description
CL-16-1	Standard Brass Fittings for FC-16X cabinet.
CL-16-2	Air brake fittings for copper tubing. Use with FC-16X cabinet.
CL-16-3	Air brake fittings for nylon tubing. Use with FC-16X cabinet.
CL-434	Fuel Line Hose Fittings (series 057B).
CL-490	Standard brass fittings, drain and shut-off cocks includes Compression, SAE, Inverted and Pipe, and series 057B fuel line hose fittings.
CL-491	Air brake fittings for copper tubing.
CL-492	Hydraulic brake fittings.
CL-493	Barb-Tite® hose ends.
CL-494	Master Set - contains one each of CL-490, CL-491, CL-492, CL-493.
CL-496	Mini-Barb® fittings.
CL-497	Air brake fittings for nylon tubing.
CL-498	Polyline® fittings.
CL-499	Push>Connect
CL-500	Selfalign®
CL-501	Plastic Fittings
CL-502	Metric Adapters
CL-503	QCAB® Fittings

SELF-ADHESIVE LABEL SETS

for FH-15X and C-15X Cabinets



Labels are printed on self-adhesive stock for quick application. Each label contains an illustration of the part along with the catalog number and size information.

Catalog Number	Description
FS-100	Swivel Adapters
FS-200	JIC 37° Flare Twin Steel Adapters
FS-300	Split Flange Adapters, Split Flange Kits, O-Ring Port Adapters
FS-500	Barb-Tite® Hose Ends
FS-501	BL-456 Assortment Label Set
FS-800	Air brake fitting for copper tubing and 338 "B" Series Hose Ends
FS-900	Air brake fittings for nylon tubing
FS-1000	Mini-Barb® fittings
FS-1600	Flareless Ermelo® 7000 Series
FS-2000	Steel pipe fittings
FS-2100	Polyline® fittings
FS-2400	FOR-SEAL® Adapters
FS-3300	QCAB® Fittings
SH-53	Weatherhead envelope 6" x 4-1/2" (Qty 500)
W-8022	Standard brass fittings and drain-shut-off valves

PLASTIC BAGS



Weatherhead heavy-duty plastic bags for Weatherhead fittings come in sizes 5"x6", 6"x10", and 8"x12". The bags include convenient spaces for labeling.

Catalog Number	Description	Qty.
5x6 PB	Plastic Bag	100
6x10 PB	Plastic Bag	100
8x12 PB	Plastic Bag	100



AB-1400 • AIR BRAKE FITTINGS ASSORTMENT

The AB-1400 contains DOT approved brass air brake fittings for servicing nylon brake and secondary air lines. Selecting the proper fittings from the 63 drawer cabinet included with assortment is easy. Clear, wide plastic drawers with color-coded labels make identification of shapes and sizes quick and simple. Order Weatherhead NT100 nylon air brake tubing to complete your nylon air brake line service center.

AB-1400 Contents

Catalog Number	Quantity	Catalog Number	Quantity	Catalog Number	Quantity	Catalog Number	Quantity
1460x4	10	1464x6	5	1469x6	10	1472x6	5
1460x6	20	1464x8	5	1469x6L	5	1472x8	5
1460x8	10	1466x6	5	1469x6x2	5	1480x6	5
1460x10	10	1466x6x6	5	1469x6x6	5	1480x6x6	5
1460x12	10	1466x8	5	1469x8	5	1480x8	5
1461x4	5	1468x4	5	1469x8x4	5	1480x10	4
1461x6	10	1468x4x4	5	1469x10	5	1484x4	20
1461x8	5	1468x6	10	1469x10x6	4	1484x6	20
1461x10	5	1468x6x2	5	1469x12	4	1484x8	20
1461x12	5	1468x8	5	1471x4	5	1484x10	10
1462x4	5	1468x10	5	1471x6	5	1484x12	10
1462x6	10	1468x12	4			C-63X	1
1462x8	5	1469x4	5			CL-497	1
1462x10	4	1469x4x4	5				
1462x12	2						



AB-140 • 1400 SERIES AIR BRAKE FITTINGS ASSORTMENT

This assortment of 1/4", 3/8", 1/2" air brake fittings designed for use with NT100 nylon air brake tubing provides the coverage needed for service work by fleets, repair shops and farm implement dealers. The DOT approved air brake fittings are easily selected from the cabinet with 16 plastic drawers and color-coded labels included in the assortment.

AB-140 Contents

Catalog Number	Quantity	Catalog Number	Quantity	Catalog Number	Quantity	Catalog Number	Quantity
1460x4	20	1461x8	5	1468x6	10	1484x6	20
1460x6	20	1462x4	5	1468x8	5	1484x8	20
1460x8	20	1462x6	10	1469x4	5	145	10
1461x4	10	1462x8	4	1469x6	5	CL-16-3	1
1461x6	10	1468x4	10	1469x8	5	FC-16X	1
				1484x4	20	W15310	5