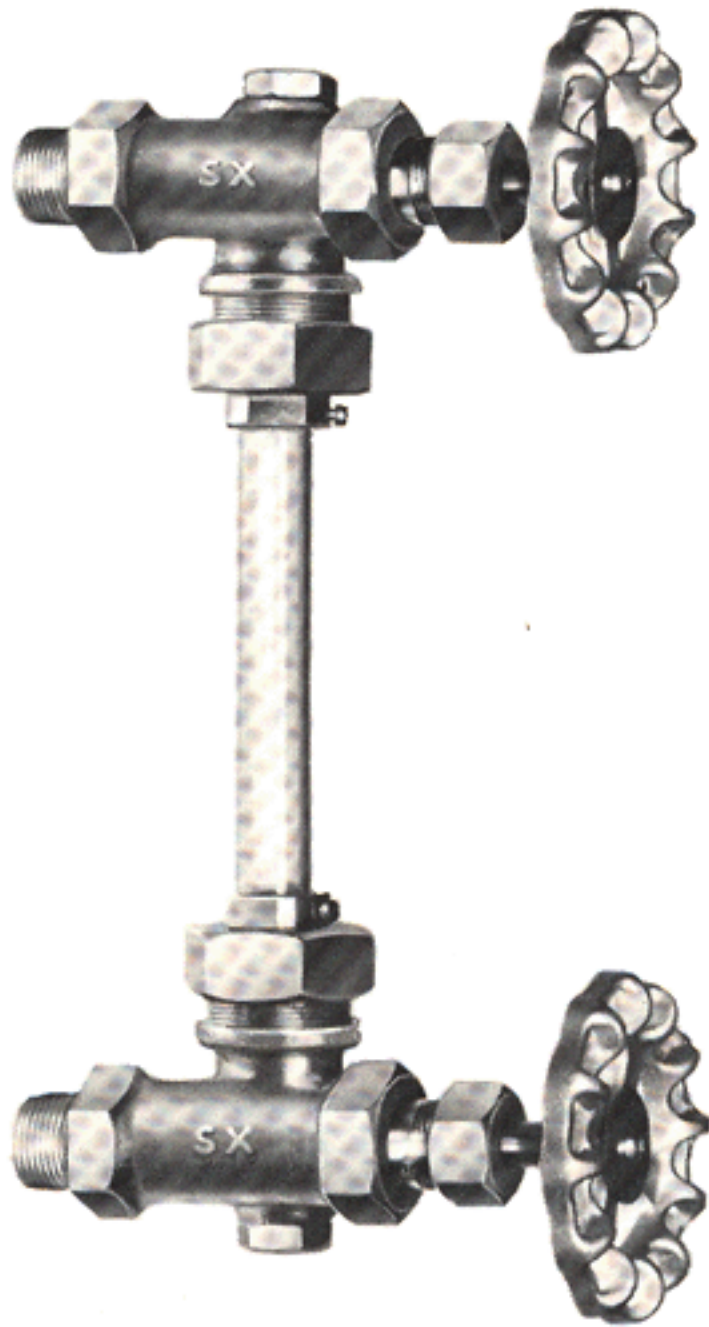


Direct Reading — Liquid Level Indicator

Model 104-P



Automatic Type — Quick Closing

Each unit individually tested hydrostatically at 450 p.s.i.

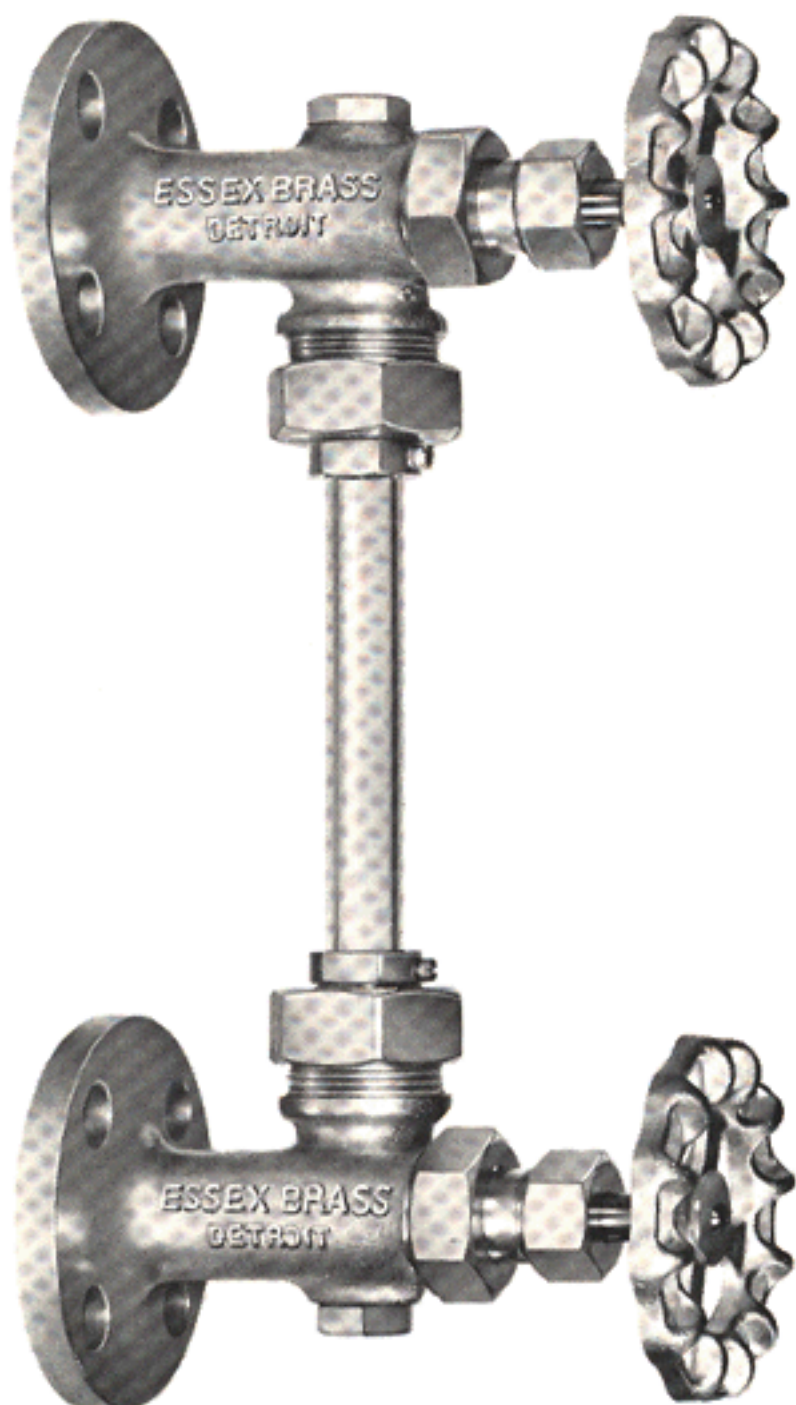
Unit is of bronze construction with “monel” trim, “viton” seals, and “polycarbonate” tube.

Unless otherwise specified, unit will be shipped complete with “polycarbonate” tube for 24” centers.

Upon request, this unit can also be supplied with “Pyrex” high pressure gauge glass with “Class B” protective shield.

THIS UNIT MEETS THE “HIGH SHOCK” REQUIREMENTS OF MIL-S-901C, AND THE “VIBRATION” REQUIREMENTS OF MIL-STD.-167, FOR TYPE 1 VIBRATION UP TO 25 C.P.S. (CERTIFIED TEST REPORTS AVAILABLE UPON REQUEST).

Model 104-A



Unit per Mil-I-20037-A (Shock-Proof)

“Navy” approved

Automatic Type — Quick Closing

Each unit individually tested hydrostatically at 450 p.s.i.

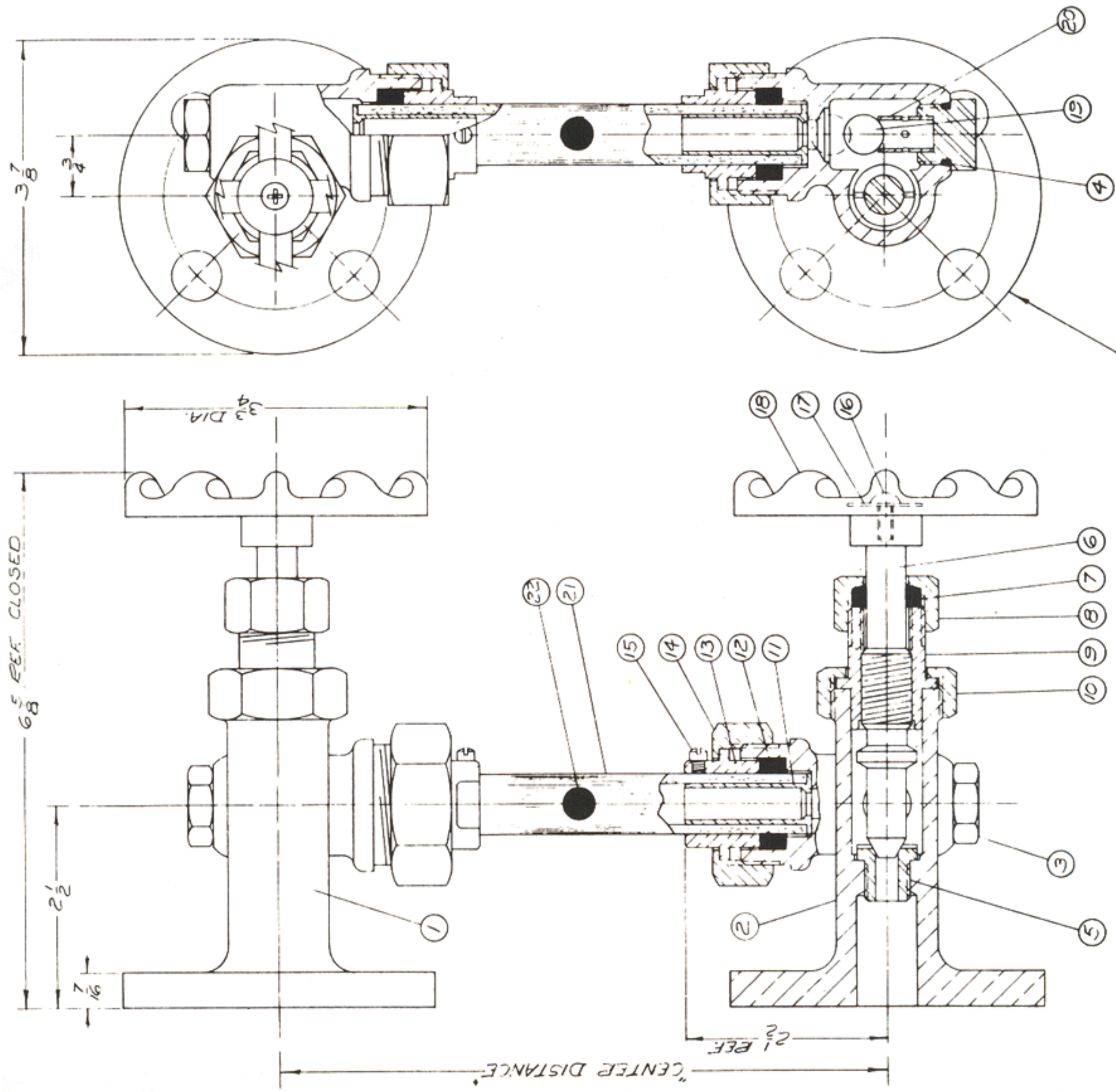
Unit is of bronze construction with “monel” trim, “viton” seals, and “polycarbonate” tube.

Flanges are integral to bodies and are per A.S.A. standards for 3/4-150# flanges.

Unless otherwise specified, unit will be shipped complete with “polycarbonate” tube for 24” centers.

Upon request, this unit can also be supplied with “Pyrex” high pressure gauge glass with “Class B” protective shield.

MODEL-104-A
FLANGED-150#



FLANGES ARE CAST INTEGRAL TO BODIES & ARE PER A.S.A. STDS. FOR 150# BRONZE FLANGES. FLANGE FACES HAVE "PHONOGRAPHIC" FINISH PER MIL-F-20042.C

DET	PART	REQ'D	MATERIAL	SPEC.	CODE
1	BODY UPPER	1	CAST BRONZE	A.S.T.M. - B-61	A
2	BODY LOWER	1	"	"	A
3	PLUG	2	MONEL	QQ-N-281	A
4	"O" RING	2	VITON	MIL-G-23652-1	C
5	SEAT	2	MONEL	QQ-N-281	A
6	STEM	2	"	"	A
7	STEM PACKING	2	MOLDED GRAPH. & ASB	CRANE - 172-D	C
8	STEM PK. NUT	2	PHOS. BRONZE	A.S.T.M. - B-139, B	A
9	HUB	2	"	"	A
10	HUB NUT	2	"	"	A
11	TUBE SUPPORT	2	"	"	A
12	GROMMET	2	VITON	GARLOCK-9663	C
13	GLAND	2	PHOS. BRONZE	A.S.T.M. - B-139, B	A
14	GLAND NUT	2	"	"	A
15	LOCK SCREW	2	BRASS	COMM'L.	C
16	HANDLE SCREW	2	"	"	C
17	HANDLE WASHER	2	"	"	C
18	HANDLE	2	CAST BRONZE	A.S.T.M. - B-61	C
19	BALL CHECK	1	MONEL	QQ-N-281	C
20	BALL RETAINER	1	BRASS	A.S.T.M. - B-135, 3	B
21	TUBE 3/4 D. x 1/4 WALL	1	"POLYCARBONATE"	COMM'L.	C
22	FLOAT	1	"POLYPROPYLENE"	"	C

CODE

- A—ACTUAL CHEMICAL & PHYSICAL REPORTS
- B—CERTIFICATION OF COMPLIANCE ACCEPTABLE IF ACTUAL REPORTS ARE NOT AVAILABLE
- C—CERTIFICATION OR ACTUAL REPORTS NOT REQ'D. VISUALLY INSPECTED.

NOTE

THIS UNIT MEETS THE "HIGH SHOCK" REQUIREMENTS OF MIL-S-901C. REF—LOCKHEED ELECTRONICS CO. TEST REPORT #1868-4554, DATED 10-23-67.

THIS UNIT MEETS THE "VIBRATION" REQUIREMENTS OF MIL-STD-167 FOR TYPE-1 VIBRATION UP TO & INCLUDING 25 G.R.S. REF—LOCKHEED ELECTRONICS CO. TEST REPORT # 2134-3258, DATED 7-29-68.

EACH UNIT IS HYDROSTATICALLY TESTED AT 450 P.S.I. FOR NOT LESS THAN ONE MINUTE.

TUBE LGT. = "CENTER DISTANCE", MINUS 2 INCHES

UNIT WT. (LESS TUBE) — — 9 LBS., TUBE WT. — .110 LBS/FT.

ESSEX BRASS CORPORATION
DETROIT, MICHIGAN

INDICATOR — LIQUID LEVEL
MIL-I-20037 — SHOCK-PROOF

MODEL 104-A — FLANGED-150#