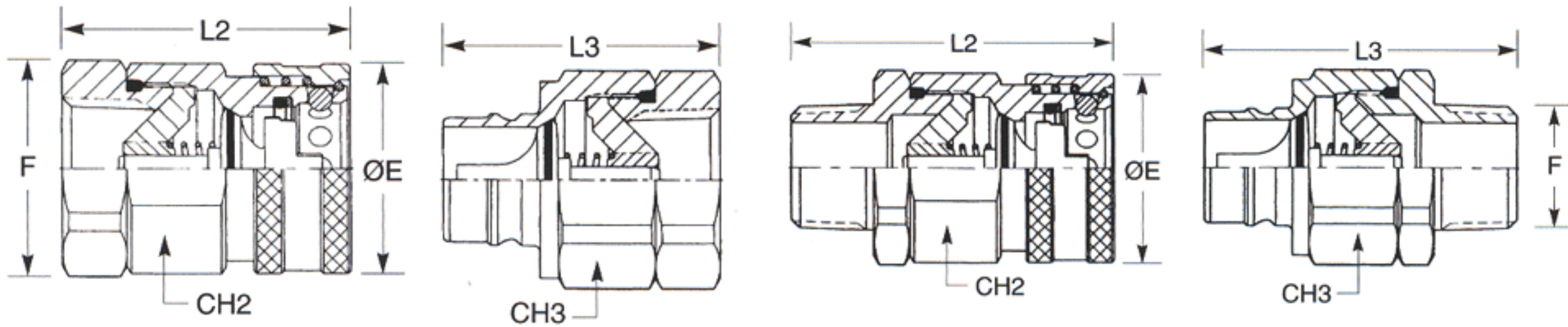


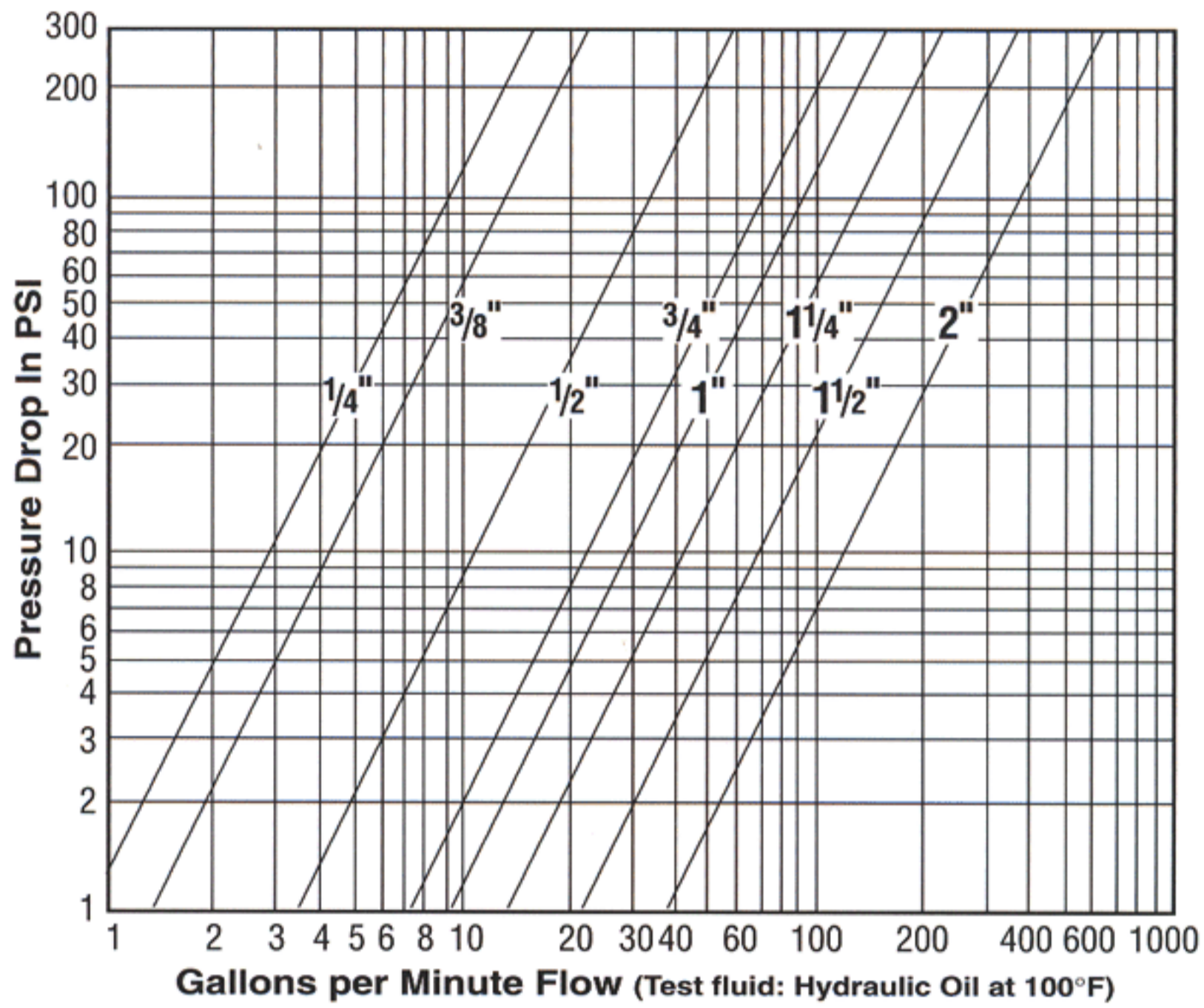
TNV SERIES SNAP-TITE INTERCHANGE QUICK COUPLINGS – VALVED



COUPLER PART NUMBER	PLUG PART NUMBER	NOMINAL SIZE	MATERIAL	WORKING PRESSURE	THREAD F	CH2	CH3	ØE	L2	L3
TNV-04-F	TNV-04-M	1/4"	STEEL	6500 PSI	1/4" NPT F	.88	.88	.99	1.68	1.62
TNV-04-F-02	TNV-04-M-02		STEEL	6500 PSI	1/4" NPT M	.88	.88	.99	2.12	2.06
TNV-04-F-5	TNV-04-M-5		BRASS	2250 PSI	1/4" NPT F	.88	.88	.99	1.68	1.62
TNV-04-F-5-02	TNV-04-M-5-02		BRASS	2250 PSI	1/4" NPT M	.88	.88	.99	2.12	2.06
TNV-04-F-2	TNV-04-M-2		316 SS	5000 PSI	1/4" NPT F	.88	.88	.99	1.68	1.62
TNV-04-F-2-02	TNV-04-M-2-02		316 SS	5000 PSI	1/4" NPT M	.88	.88	.99	2.12	2.06
TNV-06-F	TNV-06-M	3/8"	STEEL	4500 PSI	3/8" NPT F	1.00	1.00	1.18	1.94	1.87
TNV-06-F-02	TNV-06-M-02		STEEL	4500 PSI	3/8" NPT M	1.00	1.00	1.18	2.32	2.25
TNV-06-F-5	TNV-06-M-5		BRASS	2250 PSI	3/8" NPT F	1.00	1.00	1.18	1.94	1.87
TNV-06-F-5-02	TNV-06-M-5-02		BRASS	2250 PSI	3/8" NPT M	1.00	1.00	1.18	2.32	2.25
TNV-06-F-2	TNV-06-M-2		316 SS	4000 PSI	3/8" NPT F	1.00	1.00	1.18	1.94	1.87
TNV-06-F-2-02	TNV-06-M-2-02		316 SS	4000 PSI	3/8" NPT M	1.00	1.00	1.18	2.32	2.25
TNV-08-F	TNV-08-M	1/2"	STEEL	4000 PSI	1/2" NPT F	1.19	1.19	1.36	2.13	1.99
TNV-08-F-02	TNV-08-M-02		STEEL	4000 PSI	1/2" NPT M	1.19	1.19	1.36	2.54	2.40
TNV-08-F-5	TNV-08-M-5		BRASS	2000 PSI	1/2" NPT F	1.19	1.19	1.36	2.13	1.99
TNV-08-F-5-02	TNV-08-M-5-02		BRASS	2000 PSI	1/2" NPT M	1.19	1.19	1.36	2.54	2.40
TNV-08-F-2	TNV-08-M-2		316 SS	3750 PSI	1/2" NPT F	1.19	1.19	1.36	2.13	1.99
TNV-08-F-2-02	TNV-08-M-2-02		316 SS	3750 PSI	1/2" NPT M	1.19	1.19	1.36	2.54	2.40
TNV-12-F	TNV-12-M	3/4"	STEEL	3500 PSI	3/4" NPT F	1.50	1.50	1.67	2.47	2.31
TNV-12-F-02	TNV-12-M-02		STEEL	3500 PSI	3/4" NPT M	1.50	1.50	1.67	3.07	2.91
TNV-12-F-5	TNV-12-M-5		BRASS	2000 PSI	3/4" NPT F	1.50	1.50	1.67	2.47	2.31
TNV-12-F-5-02	TNV-12-M-5-02		BRASS	2000 PSI	3/4" NPT M	1.50	1.50	1.67	3.07	2.91
TNV-12-F-2	TNV-12-M-2		316 SS	2000 PSI	3/4" NPT F	1.50	1.50	1.67	2.47	2.31
TNV-12-F-2-02	TNV-12-M-2-02		316 SS	2000 PSI	3/4" NPT M	1.50	1.50	1.67	3.07	2.91
TNV-16-F	TNV-16-M	1"	STEEL	2000 PSI	1" NPT F	1.88	1.88	2.06	2.70	2.60
TNV-16-F-02	TNV-16-M-02		STEEL	2000 PSI	1" NPT M	1.88	1.88	2.06	3.32	3.22
TNV-16-F-5	TNV-16-M-5		BRASS	1750 PSI	1" NPT F	1.88	1.88	2.06	2.70	2.60
TNV-16-F-5-02	TNV-16-M-5-02		BRASS	1750 PSI	1" NPT M	1.88	1.88	2.06	3.32	3.22
TNV-16-F-2	TNV-16-M-2		316 SS	2000 PSI	1" NPT F	1.88	1.88	2.06	2.70	2.60
TNV-16-F-2-02	TNV-16-M-2-02		316 SS	2000 PSI	1" NPT M	1.88	1.88	2.06	3.32	3.22
TNV-20-F	TNV-20-M	1 1/4"	STEEL	1750 PSI	1 1/4" NPT F	2.00	2.00	2.19	3.54	3.41
TNV-20-F-02	TNV-20-M-02		STEEL	1750 PSI	1 1/4" NPT M	2.00	2.00	2.19	3.59	3.46
TNV-20-F-5	TNV-20-M-5		BRASS	350 PSI	1 1/4" NPT F	2.00	2.00	2.19	3.54	3.41
TNV-20-F-5-02	TNV-20-M-5-02		BRASS	350 PSI	1 1/4" NPT M	2.00	2.00	2.19	3.59	3.46
TNV-20-F-2	TNV-20-M-2		316 SS	1500 PSI	1 1/4" NPT F	2.00	2.00	2.19	3.54	3.41
TNV-20-F-2-02	TNV-20-M-2-02		316 SS	1500 PSI	1 1/4" NPT M	2.00	2.00	2.19	3.59	3.46
TNV-24-F	TNV-24-M	1 1/2"	STEEL	1500 PSI	1 1/2" NPT F	2.50	2.50	2.74	3.27	3.41
TNV-24-F-02	TNV-24-M-02		STEEL	1500 PSI	1 1/2" NPT M	2.50	2.50	2.74	4.01	3.85
TNV-24-F-5	TNV-24-M-5		BRASS	350 PSI	1 1/2" NPT F	2.50	2.50	2.74	3.27	3.41
TNV-24-F-5-02	TNV-24-M-5-02		BRASS	350 PSI	1 1/2" NPT M	2.50	2.50	2.74	4.01	3.85
TNV-24-F-2	TNV-24-M-2		316 SS	1500 PSI	1 1/2" NPT F	2.50	2.50	2.74	3.27	3.41
TNV-24-F-2-02	TNV-24-M-2-02		316 SS	1500 PSI	1 1/2" NPT M	2.50	2.50	2.74	4.01	3.85
TNV-32-F	TNV-32-M	2"	STEEL	1000 PSI	2" NPT F	3.50	3.50	3.83	3.92	3.72
TNV-32-F-02	TNV-32-M-02		STEEL	1000 PSI	2" NPT M	3.50	3.50	3.83	4.54	4.34
TNV-32-F-5	TNV-32-M-5		BRASS	300 PSI	2" NPT F	3.50	3.50	3.83	3.92	3.72
TNV-32-F-5-02	TNV-32-M-5-02		BRASS	300 PSI	2" NPT M	3.50	3.50	3.83	4.54	4.34
TNV-32-F-2	TNV-32-M-2		316 SS	1000 PSI	2" NPT F	3.50	3.50	3.83	3.92	3.72
TNV-32-F-2-02	TNV-32-M-2-02		316 SS	1000 PSI	2" NPT M	3.50	3.50	3.83	4.54	4.34

NOTE: SAE THREADS AVAILABLE – CONTACT FACTORY FOR DETAILS

PERFORMANCE:



NOTE: ABOVE CHART ALSO REPRESENTS BRASS AND STAINLESS STEEL PRESSURE DROP PERFORMANCE.

FOR SPECIFIC BURST PRESSURE AND FLUID SPILLAGE OF EACH PART, PLEASE CONTACT PCI FOR DETAILS.