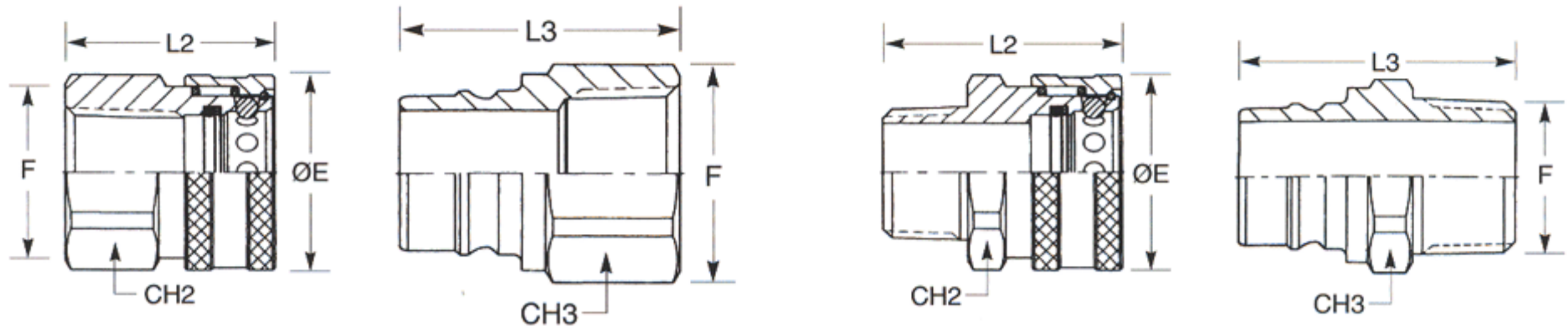


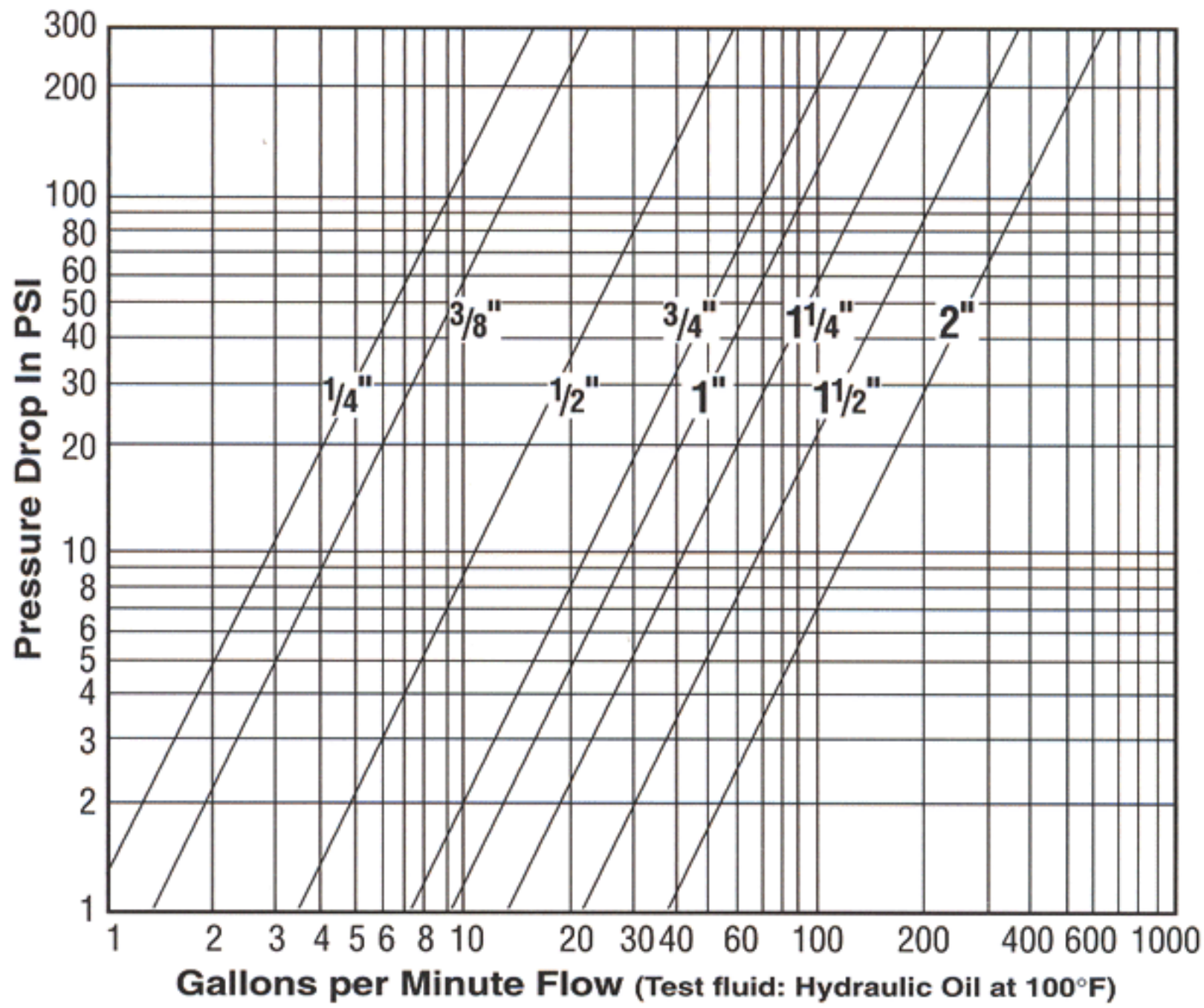
TNL SERIES SNAP-TITE INTERCHANGE QUICK COUPLINGS –NON-VALVED



COUPLER PART NUMBER	PLUG PART NUMBER	NOMINAL SIZE	MATERIAL	WORKING PRESSURE	THREAD F	CH2	CH3	ØE	L2	L3
TNL-04-F	TNL-04-M	1/4"	STEEL	11,000 PSI	1/4" NPT F	.88	.63	.99	1.36	1.27
TNL-04-F-02	TNL-04-M-02		STEEL	11,000 PSI	1/4" NPT M	.88	.63	.99	1.82	1.52
TNL-04-F-5	TNL-04-M-5		BRASS	4,000 PSI	1/4" NPT F	.88	.63	.99	1.36	1.27
TNL-04-F-5-02	TNL-04-M-5-02		BRASS	4,000 PSI	1/4" NPT M	.88	.63	.99	1.82	1.52
TNL-04-F-2	TNL-04-M-2		316 SS	10,000 PSI	1/4" NPT F	.88	.63	.99	1.36	1.27
TNL-04-F-2-02	TNL-04-M-2-02		316 SS	10,000 PSI	1/4" NPT M	.88	.63	.99	1.82	1.52
TNL-06-F	TNL-06-M	3/8"	STEEL	11,000 PSI	3/8" NPT F	.88	.81	1.18	1.50	1.41
TNL-06-F-02	TNL-06-M-02		STEEL	11,000 PSI	3/8" NPT M	.88	.81	1.18	1.76	1.72
TNL-06-F-5	TNL-06-M-5		BRASS	4,000 PSI	3/8" NPT F	.88	.81	1.18	1.50	1.41
TNL-06-F-5-02	TNL-06-M-5-02		BRASS	4,000 PSI	3/8" NPT M	.88	.81	1.18	1.76	1.72
TNL-06-F-2	TNL-06-M-2		316 SS	8,000 PSI	3/8" NPT F	.88	.81	1.18	1.50	1.41
TNL-06-F-2-02	TNL-06-M-2-02		316 SS	8,000 PSI	3/8" NPT M	.88	.81	1.18	1.76	1.72
TNL-08-F	TNL-08-M	1/2"	STEEL	11,000 PSI	1/2" NPT F	1.19	1.00	1.37	1.64	1.72
TNL-08-F-02	TNL-08-M-02		STEEL	11,000 PSI	1/2" NPT M	1.19	1.00	1.37	2.03	1.80
TNL-08-F-5	TNL-08-M-5		BRASS	4,000 PSI	1/2" NPT F	1.19	1.00	1.37	1.64	1.72
TNL-08-F-5-02	TNL-08-M-5-02		BRASS	4,000 PSI	1/2" NPT M	1.19	1.00	1.37	2.03	1.80
TNL-08-F-2	TNL-08-M-2		316 SS	8,000 PSI	1/2" NPT F	1.19	1.00	1.37	1.64	1.72
TNL-08-F-2-02	TNL-08-M-2-02		316 SS	8,000 PSI	1/2" NPT M	1.19	1.00	1.37	2.03	1.80
TNL-12-F	TNL-12-M	3/4"	STEEL	9,000 PSI	3/4" NPT F	1.50	1.19	1.67	1.96	1.86
TNL-12-F-02	TNL-12-M-02		STEEL	9,000 PSI	3/4" NPT M	1.50	1.19	1.67	2.29	2.19
TNL-12-F-5	TNL-12-M-5		BRASS	3,500 PSI	3/4" NPT F	1.50	1.19	1.67	1.96	1.86
TNL-12-F-5-02	TNL-12-M-5-02		BRASS	3,500 PSI	3/4" NPT M	1.50	1.19	1.67	2.29	2.19
TNL-12-F-2	TNL-12-M-2		316 SS	7,000 PSI	3/4" NPT F	1.50	1.19	1.67	1.96	1.86
TNL-12-F-2-02	TNL-12-M-2-02		316 SS	7,000 PSI	3/4" NPT M	1.50	1.19	1.67	2.29	2.19
TNL-16-F	TNL-16-M	1"	STEEL	6,000 PSI	1" NPT F	1.81	1.50	1.99	2.10	2.08
TNL-16-F-02	TNL-16-M-02		STEEL	6,000 PSI	1" NPT M	1.81	1.50	1.99	2.39	2.31
TNL-16-F-5	TNL-16-M-5		BRASS	3,000 PSI	1" NPT F	1.81	1.50	1.99	2.10	2.08
TNL-16-F-5-02	TNL-16-M-5-02		BRASS	3,000 PSI	1" NPT M	1.81	1.50	1.99	2.39	2.31
TNL-16-F-2	TNL-16-M-2		316 SS	4,000 PSI	1" NPT F	1.81	1.50	1.99	2.10	2.08
TNL-16-F-2-02	TNL-16-M-2-02		316 SS	4,000 PSI	1" NPT M	1.81	1.50	1.99	2.39	2.31
TNL-20-F	TNL-20-M	1 1/4"	STEEL	5,000 PSI	1 1/4" NPT F	2.00	1.88	2.19	2.28	2.22
TNL-20-F-02	TNL-20-M-02		STEEL	5,000 PSI	1 1/4" NPT M	2.00	1.88	2.19	2.78	2.14
TNL-20-F-5	TNL-20-M-5		BRASS	1,000 PSI	1 1/4" NPT F	2.00	1.88	2.19	2.28	2.22
TNL-20-F-5-02	TNL-20-M-5-02		BRASS	1,000 PSI	1 1/4" NPT M	2.00	1.88	2.19	2.78	2.14
TNL-20-F-2	TNL-20-M-2		316 SS	3,000 PSI	1 1/4" NPT F	2.00	1.88	2.19	2.28	2.22
TNL-20-F-2-02	TNL-20-M-2-02		316 SS	3,000 PSI	1 1/4" NPT M	2.00	1.88	2.19	2.78	2.14
TNL-24-F	TNL-24-M	1 1/2"	STEEL	5,000 PSI	1 1/2" NPT F	2.50	2.13	2.74	2.57	2.44
TNL-24-F-02	TNL-24-M-02		STEEL	5,000 PSI	1 1/2" NPT M	2.50	2.13	2.74	3.08	2.34
TNL-24-F-5	TNL-24-M-5		BRASS	1,000 PSI	1 1/2" NPT F	2.50	2.13	2.74	2.57	2.44
TNL-24-F-5-02	TNL-24-M-5-02		BRASS	1,000 PSI	1 1/2" NPT M	2.50	2.13	2.74	3.08	2.34
TNL-24-F-2	TNL-24-M-2		316 SS	3,000 PSI	1 1/2" NPT F	2.50	2.13	2.74	2.57	2.44
TNL-24-F-2-02	TNL-24-M-2-02		316 SS	3,000 PSI	1 1/2" NPT M	2.50	2.13	2.74	3.08	2.34
TNL-32-F	TNL-32-M	2"	STEEL	4,000 PSI	2" NPT F	3.25	2.75	3.56	2.48	2.60
TNL-32-F-02	TNL-32-M-02		STEEL	4,000 PSI	2" NPT M	3.25	2.50	3.56	3.10	2.74
TNL-32-F-5	TNL-32-M-5		BRASS	750 PSI	2" NPT F	3.25	2.75	3.56	2.48	2.60
TNL-32-F-5-02	TNL-32-M-5-02		BRASS	750 PSI	2" NPT M	3.25	2.50	3.56	3.10	2.74
TNL-32-F-2	TNL-32-M-2		316 SS	1,000 PSI	2" NPT F	3.25	2.75	3.56	2.48	2.60
TNL-32-F-2-02	TNL-32-M-2-02		316 SS	1,000 PSI	2" NPT M	3.25	2.50	3.56	3.10	2.74

NOTE: SAE THREADS AVAILABLE – CONTACT FACTORY FOR DETAILS

PERFORMANCE:



NOTE: THIS CHART REPRESENTS A VALVED COUPLER AND NON-VALVED PLUG.

NOTE: ABOVE CHART ALSO REPRESENTS BRASS AND STAINLESS STEEL PRESSURE DROP PERFORMANCE.

FOR SPECIFIC BURST PRESSURE AND FLUID SPILLAGE OF EACH PART, PLEASE CONTACT PCI FOR DETAILS.