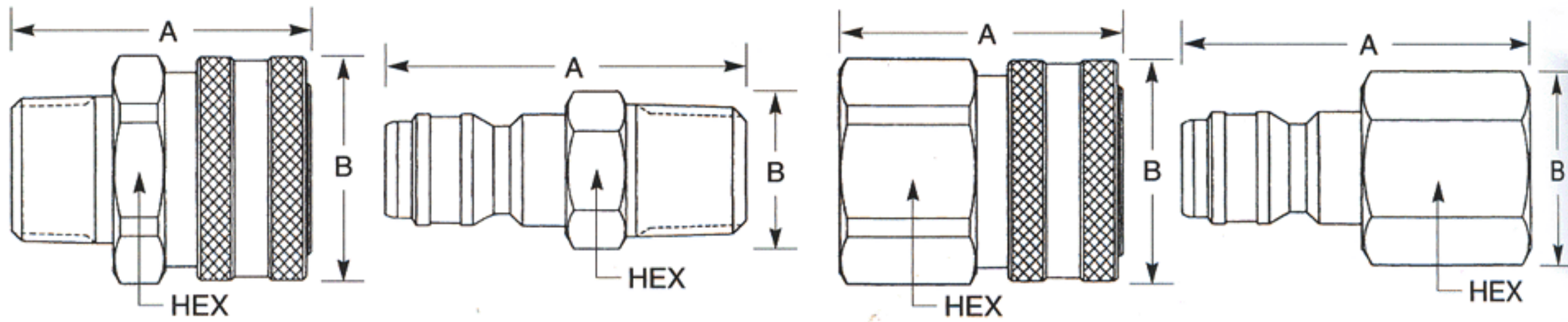


ST SERIES NON-VALVED INTERCHANGE COUPLINGS



COUPLER PART NUMBER	PLUG PART NUMBER	NOMINAL SIZE	MATERIAL	THREAD F	COUPLER			PLUG		
					A	B	HEX	A	B	HEX
B-18-FC	B-18-FP	1/8"	BRASS	1/8" NPTF	1.01	.65	.56	.98	.65	.56
SS-18-FC	SS-18-FP		303 SS	1/8" NPTF	1.01	.65	.56	.98	.65	.56
B-18-MC	B-18-MP		BRASS	1/8" NPTM	1.01	.65	.56	1.15	.58	.50
SS-18-MC	SS-18-MP		303 SS	1/8" NPTM	1.01	.65	.56	1.15	.58	.50
—	18-FP		STEEL	1/8" NPTF	—	—	—	.98	.65	.56
—	18-MP		STEEL	1/8" NPTM	—	—	—	1.15	.58	.50
B-14-FC	B-14-FP		1/4"	BRASS	1/4" NPTF	1.40	.96	.81	1.47	.79
SS-14-FC	SS-14-FP	303 SS		1/4" NPTF	1.40	.96	.81	1.47	.79	.69
B-14-MC	B-14-MP	BRASS		1/4" NPTM	1.66	.96	.81	1.50	.65	.56
SS-14-MC	SS-14-MP	303 SS		1/4" NPTM	1.66	.96	.81	1.50	.65	.56
—	14-FP	STEEL		1/4" NPTF	—	—	—	1.47	.79	.69
—	14-MP	STEEL		1/4" NPTM	—	—	—	1.50	.65	.56
B-38-FC	B-38-FP	3/8"		BRASS	3/8" NPTF	1.60	1.13	1.00	1.60	1.01
SS-38-FC	SS-38-FP		303 SS	3/8" NPTF	1.60	1.13	1.00	1.60	1.01	.88
B-38-MC	B-38-MP		BRASS	3/8" NPTM	1.70	1.13	1.00	1.69	.79	.69
SS-38-MC	SS-38-MP		303 SS	3/8" NPTM	1.70	1.13	1.00	1.69	.79	.69
—	38-FP		STEEL	3/8" NPTF	—	—	—	1.60	1.01	.86
—	38-MP		STEEL	3/8" NPTM	—	—	—	1.69	.79	.69
B-12-FC	B-12-FP		1/2"	BRASS	1/2" NPTF	1.96	1.27	1.13	1.82	1.16
SS-12-FC	SS-12-FP	303 SS		1/2" NPTF	1.96	1.27	1.13	1.82	1.16	1.00
B-12-MC	B-12-MP	BRASS		1/2" NPTM	2.00	1.27	1.13	1.91	1.01	.88
SS-12-MC	SS-12-MP	303 SS		1/2" NPTM	2.00	1.27	1.13	1.91	1.01	.88
—	12-FP	STEEL		1/2" NPTF	—	—	—	1.82	1.16	1.00
—	12-MP	STEEL		1/2" NPTM	—	—	—	1.91	1.01	.88
B-34-FC	B-34-FP	3/4"		BRASS	3/4" NPTF	2.10	1.65	1.50	2.05	1.37
SS-34-FC	SS-34-FP		303 SS	3/4" NPTF	2.10	1.65	1.50	2.05	1.37	1.19
B-34-MC	B-34-MP		BRASS	3/4" NPTM	2.00	1.65	1.50	2.25	1.23	1.06
SS-34-MC	SS-34-MP		303 SS	3/4" NPTM	2.00	1.65	1.50	2.25	1.23	1.06
—	34-FP		STEEL	3/4" NPTF	—	—	—	2.05	1.37	1.19
—	34-MP		STEEL	3/4" NPTM	—	—	—	2.25	1.23	1.06
B-1-FC	B-1-FP		1"	BRASS	1" NPTF	2.36	2.02	1.75	2.36	1.73
SS-1-FC	SS-1-FP	303 SS		1" NPTF	2.36	2.02	1.75	2.36	1.73	1.50
B-1-MC	B-1-MP	BRASS		1" NPTM	2.61	2.02	1.75	2.45	1.59	1.38
SS-1-MC	SS-1-MP	303 SS		1" NPTM	2.61	2.02	1.75	2.45	1.59	1.38
—	1-FP	STEEL		1" NPTF	—	—	—	2.36	1.73	1.50
—	1-MP	STEEL		1" NPTM	—	—	—	2.45	1.59	1.38
B-114-FC	B-114-FP	1 1/4"		BRASS	1 1/4" NPTF	2.36	2.59	2.25	2.47	2.31
B-114-MC	B-114-MP		BRASS	1 1/4" NPTM	2.91	2.59	2.25	2.80	2.02	1.75
—	114-FP		STEEL	1 1/4" NPTF	—	—	—	2.47	2.31	2.00
—	114-MP		STEEL	1 1/4" NPTM	—	—	—	2.80	2.02	1.75
B-112-FC	B-112-FP	1 1/2"	BRASS	1 1/2" NPTF	2.89	3.18	2.75	2.74	2.60	2.25
B-112-MC	B-112-MP		BRASS	1 1/2" NPTM	3.44	3.18	2.75	3.38	2.60	2.25
—	112-FP		STEEL	1 1/2" NPTF	—	—	—	2.74	2.60	2.25
—	112-MP		STEEL	1 1/2" NPTM	—	—	—	3.38	2.60	2.25
B-2-FC	B-2-FP	2"	BRASS	2" NPTF	3.00	4.04	3.50	3.00	3.03	2.63
B-2-MC	B-2-MP		BRASS	2" NPTM	3.70	4.04	3.50	3.58	3.03	2.63
—	2-FP		STEEL	2" NPTF	—	—	—	3.00	3.03	2.63
—	2-MP		STEEL	2" NPTM	—	—	—	3.58	3.03	2.63

NOTE: ANY NOMINAL SIZE COUPLER WILL CONNECT WITH THE SAME NOMINAL SIZE PLUG REGARDLESS OF THE THREAD SIZE.
EXAMPLE: B14FC CONNECTS WITH 14-MP.

TECHNICAL DATA – ST SERIES

BODY SIZE	WORKING PRESSURE BRASS	WORKING PRESSURE STEEL	WORKING PRESSURE STAINLESS
1/8"	2,500 PSI	2,600 PSI	4,200 PSI
1/4"	4,500 PSI	5,000 PSI	6,500 PSI
3/8"	2,700 PSI	3,500 PSI	5,000 PSI
1/2"	2,500 PSI	2,700 PSI	3,000 PSI
3/4"	2,000 PSI	2,700 PSI	3,000 PSI
1"	1,000 PSI	2,000 PSI	1,500 PSI
1 1/4"	800 PSI	1,700 PSI	CF
1 1/2"	600 PSI	1,400 PSI	CF
2"	400 PSI	600 PSI	CF

CF: CONTACT FACTORY

PERFORMANCE:

