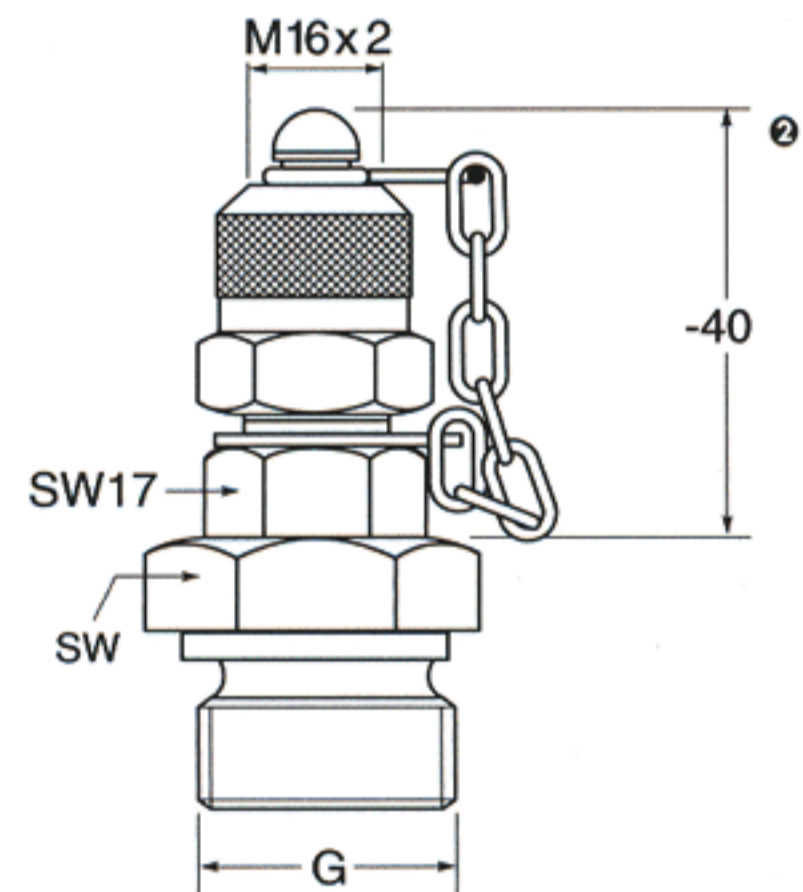
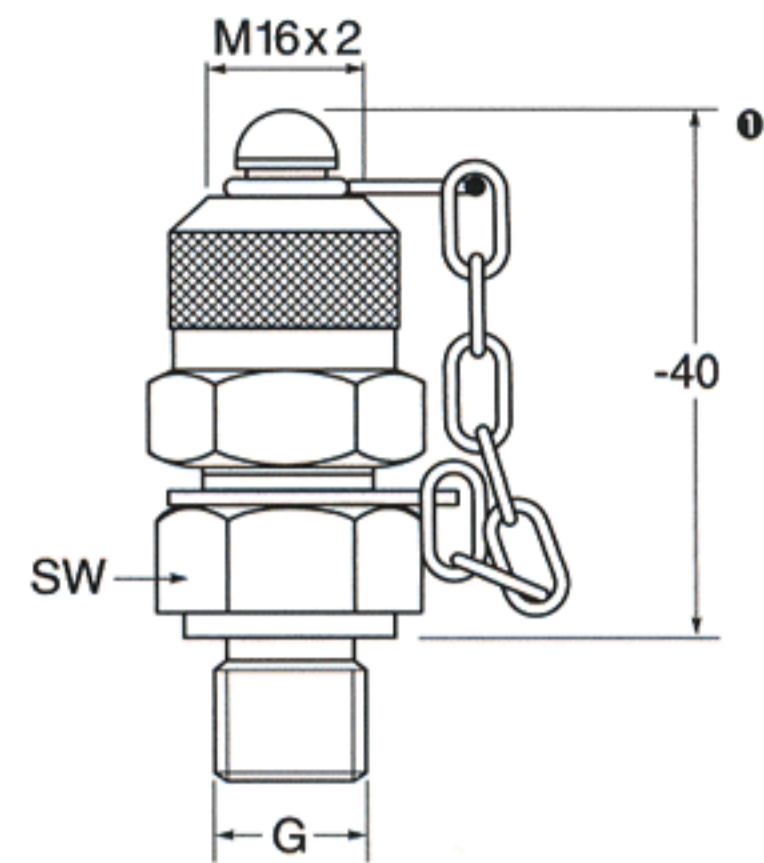


# H900 SERIES TEST CONNECTORS

## TEST CONNECTORS – M16 x 2 with Metal Cap

PART NUMBER	WORKING PRESSURE	FIGURE	HEX (mm) SW	THREAD G
H900-10	9100 PSI	1	17	5/16"-24 UNF
H900-11	9100 PSI	1	17	7/16"-20 UNF
H900-12	9100 PSI	2	19	9/16"-18 UNF
H900-13	9100 PSI	2	24	3/4"-16 UNF
<hr/>				
H900-20	9100 PSI	1	17	1/8" NPT
H900-21	9100 PSI	1	19	1/4" NPT
H900-22	9100 PSI	1	19	3/8" NPT
H900-23	9100 PSI	2	24	1/2" NPT
<hr/>				
H900-01	9100 PSI	1	17	M8 x 1
H900-25	9100 PSI	1	17	M10 x 1
H900-26	9100 PSI	1	17	M12 x 1.5
H900-27	9100 PSI	1	19	M14 x 1.5
H900-28	9100 PSI	1	22	M16 x 1.5
H900-02	9100 PSI	2	27	M18 x 1.5
H900-03	9100 PSI	2	27	M20 x 1.5
H900-04	9100 PSI	2	27	M22 x 1.5
H900-05	9100 PSI	2	32	M26 x 1.5
H900-06	9100 PSI	2	36	M27 x 2
H900-07	9100 PSI	2	41	M33 x 2
H900-08	9100 PSI	2	50	M42 x 2
H900-09	9100 PSI	2	60	M48 x 2
<hr/>				
H900-30	9100 PSI	1	17	1/8" BSPP
H900-31	9100 PSI	1	19	1/4" BSPP
H900-32	9100 PSI	1	22	3/8" BSPP
H900-33	9100 PSI	2	27	1/2" BSPP
H900-34	9100 PSI	2	36	3/4" BSPP
H900-35	9100 PSI	2	41	1" BSPP
H900-36	9100 PSI	2	50	1 1/4" BSPP
H900-37	9100 PSI	2	60	1 1/2" BSPP
<hr/>				
H900-38	9100 PSI	1	17	1/8" BSPT
H900-39	9100 PSI	1	19	1/4" BSPT

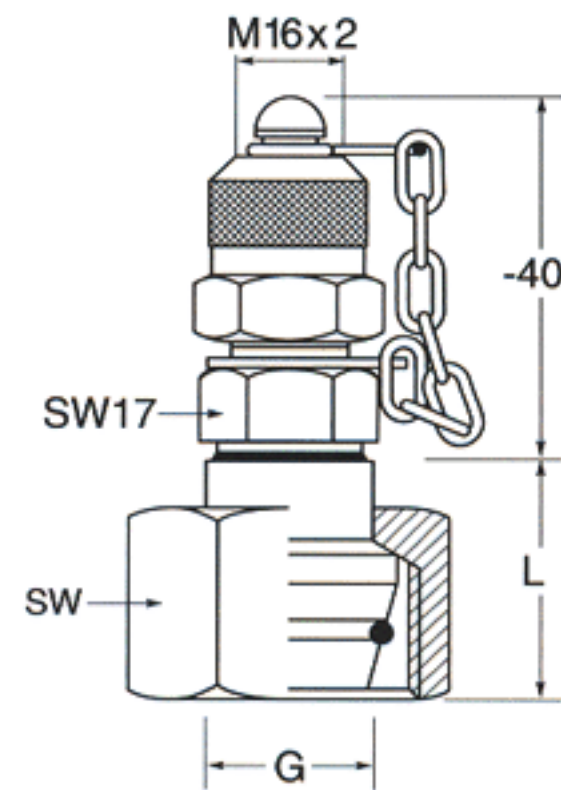




# H900 SERIES TEST CONNECTORS (CONTINUED)

## DKO -TEST CONNECTOR for Metric Bite-Ring Fittings DIN 2353 24° Taper Adapter/Light Duty

PART NUMBER	WORKING PRESSURE	TUBE SIZE	HEX (mm) SW	THREAD G
H900-50	3625 PSI	6	14	M12 x 1.5
H900-51	3625 PSI	8	17	M14 x 1.5
H900-52	3625 PSI	10	19	M16 x 1.5
H900-53	3625 PSI	12	22	M18 x 1.5
H900-54	3625 PSI	15	27	M22 x 1.5
H900-55	3625 PSI	18	32	M26 x 1.5
H900-56	3625 PSI	22	36	M30 x 2
H900-57	3625 PSI	28	41	M36 x 2
H900-58	3625 PSI	35	50	M45 x 2
H900-59	3625 PSI	42	60	M52 x 2



## DKO -TEST CONNECTOR for Metric Bite-Ring Fittings DIN 2353 24° Taper Adapter/Heavy Duty

PART NUMBER	WORKING PRESSURE	TUBE SIZE	HEX (mm) SW	THREAD G
H900-60	9100 PSI	6	17	M14 x 1.5
H900-61	9100 PSI	8	19	M16 x 1.5
H900-62	9100 PSI	10	22	M18 x 1.5
H900-63	9100 PSI	12	24	M20 x 1.5
H900-64	9100 PSI	14	27	M22 x 1.5
H900-65	9100 PSI	16	30	M24 x 1.5
H900-66	9100 PSI	20	36	M30 x 2
H900-67	9100 PSI	25	46	M36 x 2
H900-68	9100 PSI	30	50	M42 x 2
H900-69	9100 PSI	38	60	M52 x 2

