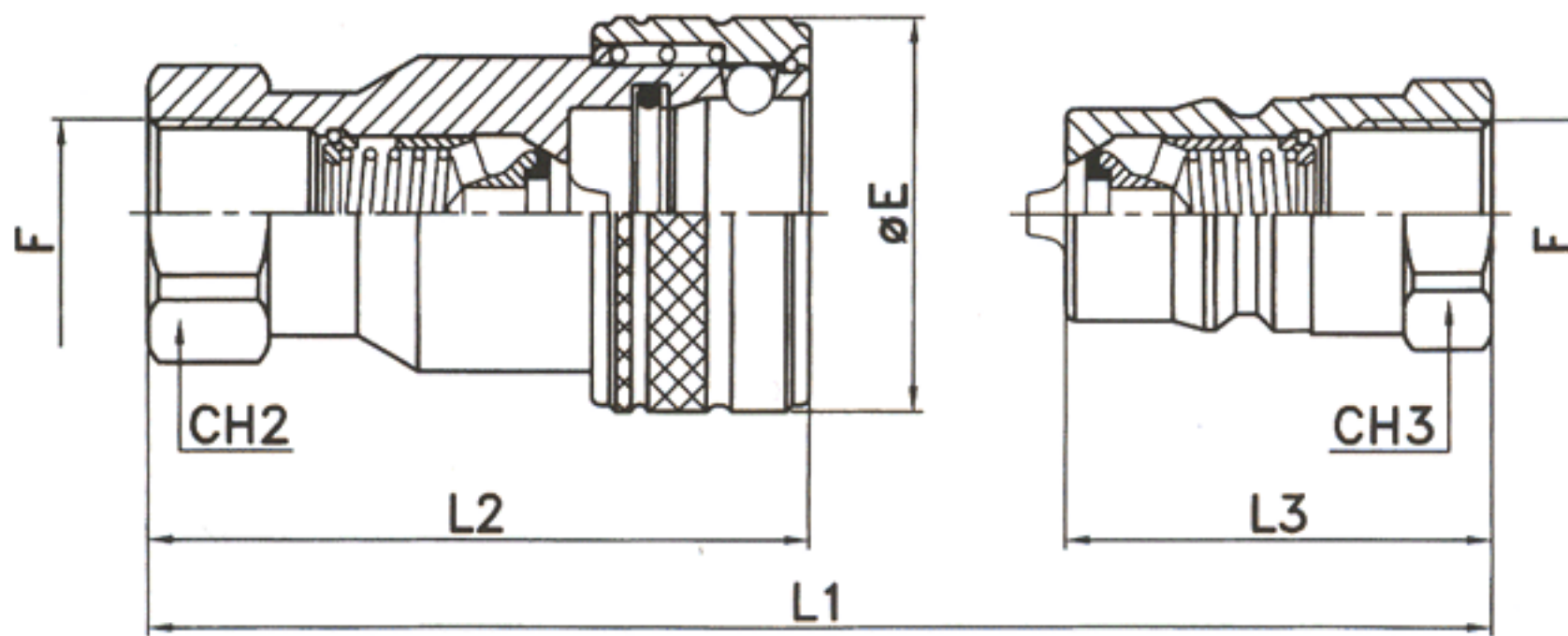


HNV SERIES "ISO B" INDUSTRIAL INTERCHANGE QUICK COUPLINGS



DIRECT INTERCHANGE TO:	
NAME	SERIES
PARKER	60
AEROQUIP	FD 45
FASTER	HN
SAFEWAY	S 10
SNAP-TITE	72

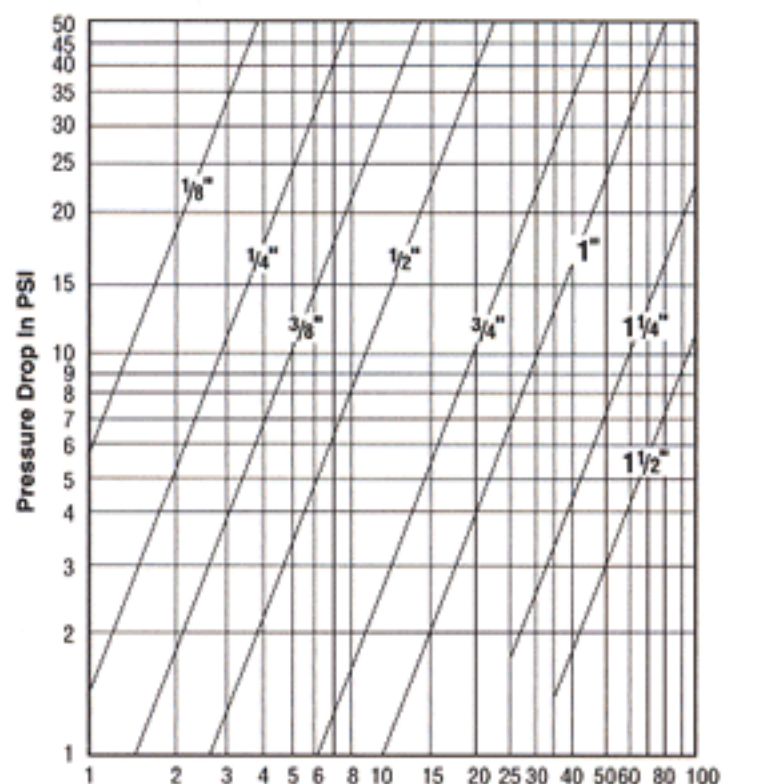
COUPLER PART NUMBER	PLUG PART NUMBER	NOMINAL SIZE	MATERIAL	WORKING PRESSURE	THREAD F	CH2	CH3	ØE	L1	L2	L3
HNV-18-F	HNV-18-M	1/8"	STEEL	5000 PSI	1/8" NPT F	.67	.55	.91	2.44	1.97	1.22
HNV-18-F-5	HNV-18-M-5		BRASS	3000 PSI							
HNV-18-F-2	HNV-18-M-2		303 SS	5000 PSI							
HNV-18-F-3	HNV-18-M-3		316 SS	5000 PSI							
HNV-14-F	HNV-14-M	1/4"	STEEL	5000 PSI	1/4" NPT F	.75	.75	1.10	2.99	2.36	1.49
HNV-14-F-5	HNV-14-M-5		BRASS	2700 PSI							
HNV-14-F-2	HNV-14-M-2		303 SS	3700 PSI							
HNV-14-F-3	HNV-14-M-3		316 SS	3700 PSI							
HNV-38-F	HNV-38-M	3/8"	STEEL	4500 PSI	3/8" NPT F	.95	.87	1.38	3.39	2.66	1.69
HNV-38-F-5	HNV-38-M-5		BRASS	2200 PSI							
HNV-38-F-2	HNV-38-M-2		303 SS	3700 PSI							
HNV-38-F-3	HNV-38-M-3		316 SS	3700 PSI							
HNV-12-F	HNV-12-M	1/2"	STEEL	3750 PSI	1/2" NPT F	1.18	1.06	1.73	3.82	2.99	1.91
HNV-12-F-5	HNV-12-M-5		BRASS	2250 PSI							
HNV-12-F-2	HNV-12-M-2		303 SS	4250 PSI							
HNV-12-F-3	HNV-12-M-3		316 SS	4250 PSI							
HNV-34-F	HNV-34-M	3/4"	STEEL	3000 PSI	3/4" NPT F	1.42	1.34	2.05	4.49	3.60	2.24
HNV-34-F-5	HNV-34-M-5		BRASS	2000 PSI							
HNV-34-F-2	HNV-34-M-2		303 SS	3050 PSI							
HNV-34-F-3	HNV-34-M-3		316 SS	3050 PSI							
HNV-1-F	HNV-1-M	1"	STEEL	3000 PSI	1" NPT F	1.61	1.61	2.36	5.16	4.17	2.58
HNV-1-F-5	HNV-1-M-5		BRASS	1500 PSI							
HNV-1-F-2	HNV-1-M-2		303 SS	2500 PSI							
HNV-1-F-3	HNV-1-M-3		316 SS	2500 PSI							
HNV-114-F	HNV-114-M	1 1/4"	STEEL	1750 PSI	1 1/4" NPT F	2.38	2.38	2.60	7.87	4.50	4.25
HNV-114-F-5	HNV-114-M-5		BRASS	1200 PSI							
HNV-114-F-2	HNV-114-M-2		303 SS	1700 PSI							
HNV-114-F-3	HNV-114-M-3		316 SS	1700 PSI							
HNV-112-F	HNV-112-M	1 1/2"	STEEL	1750 PSI	1 1/2" NPT F	2.63	2.63	3.00	7.87	4.81	4.76
HNV-112-F-5	HNV-112-M-5		BRASS	1500 PSI							
HNV-112-F-2	HNV-112-M-2		303 SS	2200 PSI							
HNV-112-F-3	HNV-112-M-3		316 SS	2200 PSI							
HNV-2-F	HNV-2-M	2 1/2"	STEEL	1500 PSI	2" NPT F	3.75	3.75	4.11	8.66	5.55	5.55
HNV-2-F-5	HNV-2-M-5		BRASS	700 PSI							
HNV-2-F-2	HNV-2-M-2		303 SS	1500 PSI							
HNV-2-F-3	HNV-2-M-3		316 SS	1500 PSI							
HNV-212-F	HNV-212-M	2 1/2"	STEEL	1500 PSI	2 1/2" NPT F	3.75	3.75	4.11	8.66	6.14	6.14
HNV-212-F-5	HNV-212-M-5		BRASS	700 PSI							
HNV-212-F-2	HNV-212-M-2		303 SS	1500 PSI							
HNV-212-F-3	HNV-212-M-3		316 SS	1500 PSI							
HNV-3-F	HNV-3-M	2 1/2"	STEEL	1500 PSI	3" NPT F	4.00	4.00	4.11	8.66	7.00	7.00
HNV-3-F-5	HNV-3-M-5		BRASS	700 PSI							
HNV-3-F-2	HNV-3-M-2		303 SS	1500 PSI							
HNV-3-F-3	HNV-3-M-3		316 SS	1500 PSI							

NOTE: SAE AND BSP THREADS AVAILABLE - CONTACT FACTORY FOR DETAILS

TECHNICAL DATA

NOMINAL SIZE	MATERIAL	RATED FLOW	MINIMUM BURST-COUPLER	MINIMUM BURST-PLUG	MINIMUM BURST CONNECTED	FLUID SPILLAGE
1/8"	STEEL	2.0 GPM	25,300 PSI	23,200 PSI	23,200 PSI	0.5 cc
	BRASS		15,500 PSI	12,200 PSI	14,000 PSI	
	STAINLESS		29,300 PSI	18,000 PSI	19,000 PSI	
1/4"	STEEL	4.2 GPM	27,260 PSI	21,460 PSI	20,880 PSI	1.0 cc
	BRASS		14,500 PSI	11,890 PSI	13,630 PSI	
	STAINLESS		19,575 PSI	17,400 PSI	17,400 PSI	
3/8"	STEEL	8.0 GPM	27,550 PSI	18,850 PSI	19,430 PSI	2.4 cc
	BRASS		16,820 PSI	11,600 PSI	14,210 PSI	
	STAINLESS		17,400 PSI	15,950 PSI	16,675 PSI	
1/2"	STEEL	11.0 GPM	23,780 PSI	15,370 PSI	15,370 PSI	3.9 cc
	BRASS		13,195 PSI	11,890 PSI	13,920 PSI	
	STAINLESS		16,675 PSI	14,500 PSI	14,210 PSI	
3/4"	STEEL	24.0 GPM	19,720 PSI	15,950 PSI	15,660 PSI	11.0 cc
	BRASS		10,368 PSI	8,700 PSI	12,470 PSI	
	STAINLESS		15,660 PSI	14,500 PSI	15,225 PSI	
1"	STEEL	25.0 GPM	19,720 PSI	15,950 PSI	15,660 PSI	11.0 cc
	BRASS		10,367 PSI	8,700 PSI	12,740 PSI	
	STAINLESS		15,660 PSI	14,500 PSI	15,225 PSI	
1 1/4"	STEEL	30.0 GPM	14,500 PSI	13,050 PSI	13,050 PSI	19.0 cc
	BRASS		10,510 PSI	11,092 PSI	10,510 PSI	
	STAINLESS		12,325 PSI	11,600 PSI	11,600 PSI	
1 1/2"	STEEL	135.0 GPM	7,100 PSI	6,815 PSI	6,815 PSI	95.0 cc
	BRASS		6,525 PSI	5,800 PSI	6,525 PSI	
	STAINLESS		6,815 PSI	6,525 PSI	6,815 PSI	
2 1/2"	STEEL	250.0 GPM	6,000 PSI	5,800 PSI	5,800 PSI	170.0 cc
	BRASS		5,075 PSI	4,495 PSI	5,075 PSI	
	STAINLESS		5,800 PSI	5,365 PSI	5,800 PSI	

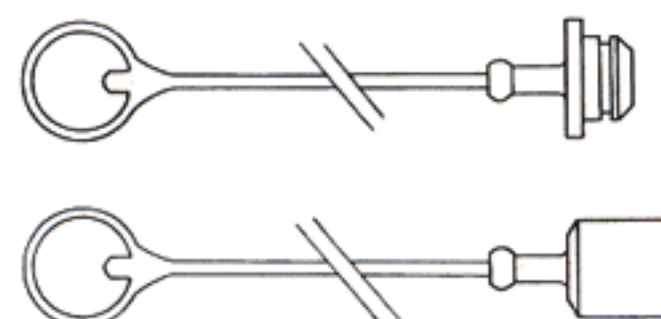
PERFORMANCE:



Gallons per Minute Flow (Test fluid: Hydraulic Oil at 100°F) CONTACT PCI FOR SIZES ABOVE 1 1/2"

ACCESSORIES – DUST PROTECTORS

NOMINAL SIZE	DUST PROTECTOR FOR PLUG	DUST PROTECTOR FOR COUPLER	COLOR	MATERIAL
1/8"	TFH-18	TMH-18	BLUE	SANTOPRENE
1/4"	TFH-14	TMH-14	BLUE	SANTOPRENE
3/8"	TFH-38	TMH-38	BLUE	SANTOPRENE
1/2"	TFH-12	TMH-12	BLUE	SANTOPRENE
3/4"	TFH-34	TMH-34	BLUE	SANTOPRENE
1"	TFH-1	TMH-1	BLUE	SANTOPRENE
1 1/4"	TFH-114	TMH-114	BLUE	SANTOPRENE
1 1/2"	TFH-112-A	TMH-112-A	—	ALUMINUM



PCI 1-800-322-9527