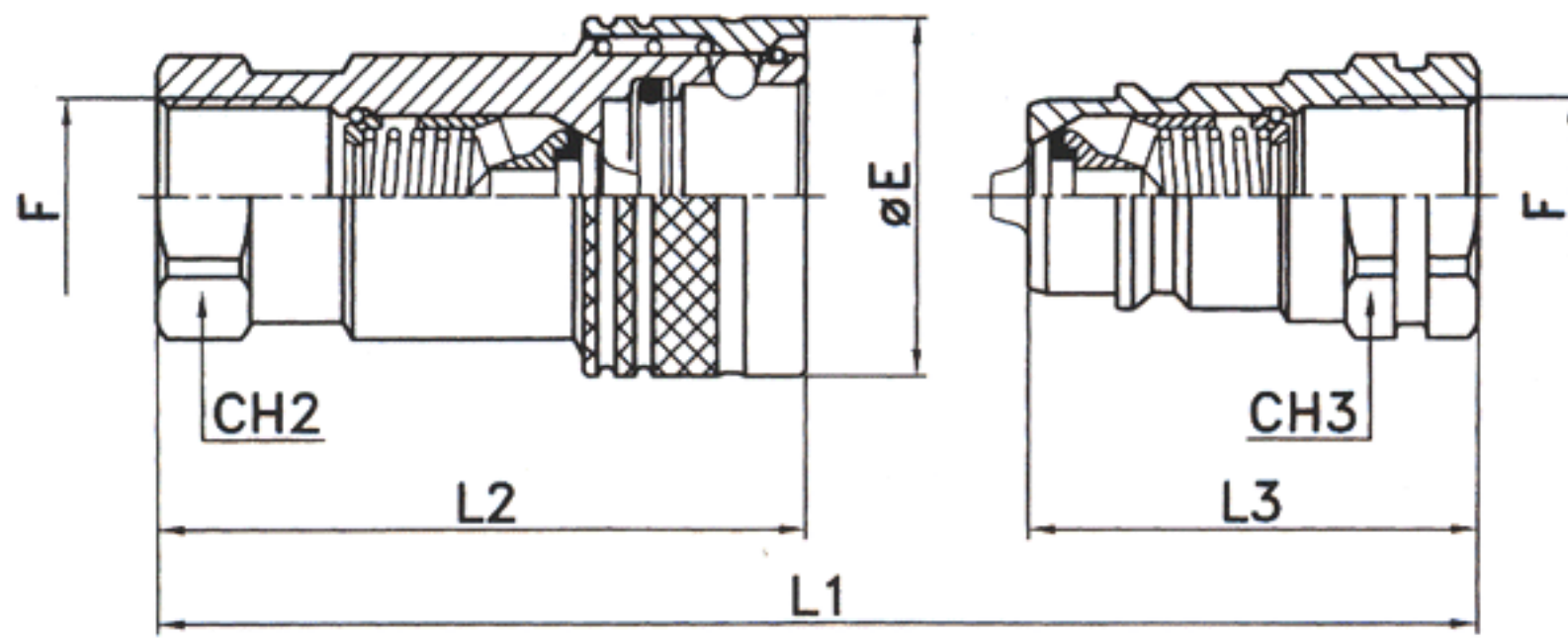


# ANV SERIES "ISO A" INTERCHANGE QUICK COUPLINGS



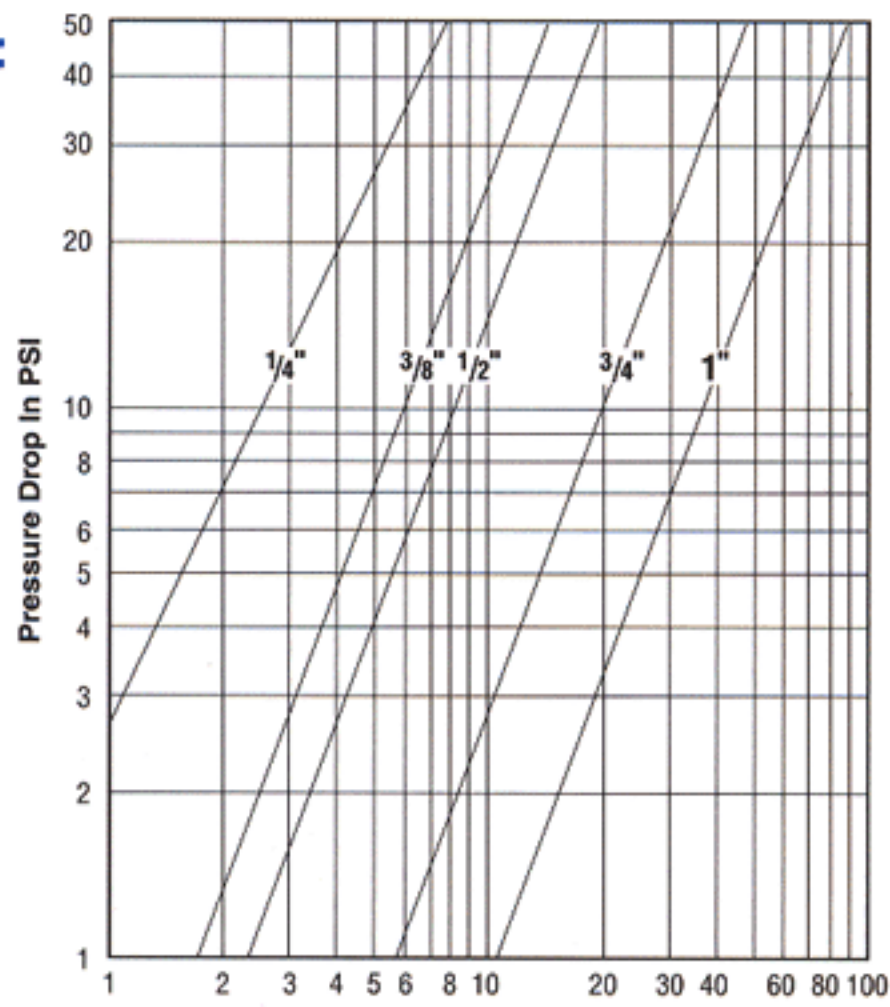
| DIRECT INTERCHANGE TO: |        |
|------------------------|--------|
| NAME                   | SERIES |
| PARKER                 | 66     |
| AEROQUIP               | FD 56  |
| FASTER                 | AN     |
| SAFEWAY                | S 56   |
| SNAP-TITE              | 61     |

| COUPLER PART NUMBER | PLUG PART NUMBER | NOMINAL SIZE | MATERIAL | WORKING PRESSURE | THREAD F       | CH2  | CH3  | ØE   | L1   | L2   | L3   |
|---------------------|------------------|--------------|----------|------------------|----------------|------|------|------|------|------|------|
| ANV-14-F            | ANV-14-M         |              |          |                  | 1/4" NPT F     | .75  | .75  | 1.02 | 2.76 | 1.93 | 1.38 |
| ANV-14-BSP-F        | ANV-14-BSP-M     | 1/4"         | STEEL    | 5500 PSI         | 1/4" BSPP      | .75  | .75  | 1.02 | 2.76 | 1.93 | 1.38 |
| ANV-14-SAE-F        | ANV-14-SAE-M     |              |          |                  | 7/16"-20 UNF   | .75  | .75  | 1.10 | 2.83 | 1.89 | 1.41 |
| ANV-38-F            | ANV-38-M         |              |          |                  | 3/8" NPT F     | .87  | .87  | 1.18 | 3.35 | 2.38 | 1.67 |
| ANV-38-BSP-F        | ANV-38-BSP-M     | 3/8"         | STEEL    | 5000 PSI         | 3/8" BSPP      | .87  | .87  | 1.18 | 3.35 | 2.38 | 1.67 |
| ANV-38-SAE-F        | ANV-38-SAE-M     |              |          |                  | 9/16"-18 UNF   | .88  | .88  | 1.23 | 3.41 | 2.23 | 1.70 |
| NV-12-F             | NV-12-M          |              |          |                  | 1/2" NPT F     | 1.06 | 1.06 | 1.50 | 3.78 | 2.76 | 1.89 |
| NV-12-BSP-F         | NV-12-BSP-M      | 1/2"         | STEEL    | 3625 PSI         | 1/2" BSPP      | 1.06 | 1.06 | 1.50 | 3.78 | 2.76 | 1.89 |
| NV-12-SAE-F         | NV-12-SAE-M      |              |          |                  | 3/4"-16 UNF    | 1.06 | 1.06 | 1.48 | 3.75 | 2.63 | 1.95 |
| ANV-34-F            | ANV-34-M         |              |          |                  | 3/4" NPT F     | 1.34 | 1.34 | 1.77 | 4.49 | 3.33 | 2.24 |
| ANV-34-BSP-F        | ANV-34-BSP-M     | 3/4"         | STEEL    | 3625 PSI         | 3/4" BSPP      | 1.34 | 1.34 | 1.77 | 4.49 | 3.33 | 2.24 |
| ANV-34-SAE-F        | ANV-34-SAE-M     |              |          |                  | 1 1/16"-12 UNF | 1.31 | 1.31 | 1.86 | 4.56 | 3.23 | 2.43 |
| ANV-1-F             | ANV-1-M          |              |          |                  | 1" NPT F       | 1.61 | 1.77 | 2.05 | 5.16 | 3.90 | 2.58 |
| ANV-1-BSP-F         | ANV-1-BSP-M      | 1"           | STEEL    | 3625 PSI         | 1" BSPP        | 1.61 | 1.77 | 2.05 | 5.16 | 3.90 | 2.58 |
| ANV-1-SAE-F         | ANV-1-SAE-M      |              |          |                  | 1 5/16"-12 UNF | 1.63 | 1.63 | 2.10 | 5.16 | 3.88 | 2.87 |
| ANV-114-F           | ANV-114-M        |              |          |                  | 1 1/4" NPT F   | 1.97 | 1.97 | 2.76 | 5.91 | 4.61 | 2.95 |
| ANV-114-BSP-F       | ANV-114-BSP-M    | 1 1/4"       | STEEL    | 3625 PSI         | 1 1/4" BSPP    | 1.97 | 1.97 | 2.76 | 5.91 | 4.61 | 2.95 |
| ANV-112-F           | ANV-112-M        |              |          |                  | 1 1/2" NPT F   | 2.36 | 2.36 | 3.28 | 6.57 | 5.24 | 3.30 |
| ANV-112-BSP-F       | ANV-112-BSP-M    | 1 1/2"       | STEEL    | 2900 PSI         | 1 1/2" BSPP    | 2.36 | 2.36 | 3.28 | 6.57 | 5.24 | 3.30 |
| ANV-2-F             | ANV-2-M          |              |          |                  | 2" NPT F       | 2.95 | 2.95 | 3.90 | 8.50 | 6.65 | 4.25 |
| ANV-2-BSP-F         | ANV-2-BSP-M      | 2"           | STEEL    | 2755 PSI         | 2" BSPP        | 2.95 | 2.95 | 3.90 | 8.50 | 6.65 | 4.25 |

# TECHNICAL DATA

| NOMINAL SIZE | MATERIAL | RATED FLOW | MINIMUM BURST-COUPLER | MINIMUM BURST-PLUG | MINIMUM BURST CONNECTED | FLUID SPILLAGE |
|--------------|----------|------------|-----------------------|--------------------|-------------------------|----------------|
| 1/4"         | STEEL    | 2.5 GPM    | 27,260 PSI            | 20,155 PSI         | 18,850 PSI              | 0.5 cc         |
| 3/8"         | STEEL    | 6.6 GPM    | 22,185 PSI            | 18,125 PSI         | 17,400 PSI              | 1.9 cc         |
| 1/2"         | STEEL    | 11.3 GPM   | 18,850 PSI            | 15,370 PSI         | 16,820 PSI              | 2.7 cc         |
| 3/4"         | STEEL    | 24.5 GPM   | 18,705 PSI            | 17,400 PSI         | 15,080 PSI              | 9.3 cc         |
| 1"           | STEEL    | 29.7 GPM   | 16,820 PSI            | 14,500 PSI         | 14,500 PSI              | 16.0 cc        |
| 1 1/4"       | STEEL    | 51.6 GPM   | 14,500 PSI            | 14,790 PSI         | 14,500 PSI              | 30.0 cc        |
| 1 1/2"       | STEEL    | 88.4 GPM   | 11,600 PSI            | 12,035 PSI         | 11,600 PSI              | 54.0 cc        |
| 2"           | STEEL    | 141.0 GPM  | 14,500 PSI            | 11,020 PSI         | 12,325 PSI              | 120.0 cc       |

## PERFORMANCE:



Gallons per Minute Flow (Test fluid: Hydraulic Oil at 100°F) CONTACT PCI FOR SIZES ABOVE 1"

## ACCESSORIES – DUST PROTECTORS

| NOMINAL SIZE | DUST PROTECTOR FOR PLUG | DUST PROTECTOR FOR COUPLER | COLOR | MATERIAL     |
|--------------|-------------------------|----------------------------|-------|--------------|
| 1/4"         | TFA-14                  | TMA-14                     | RED   | POLYETHYLENE |
| 3/8"         | TFA-38                  | TMA-38                     | RED   | POLYETHYLENE |
| 1/2"         | TF-12-R                 | TM-12-R                    | RED   | PVC          |
| 3/4"         | TFA-34                  | TMA-34                     | RED   | POLYETHYLENE |
| 1"           | TFA-1                   | TMA-1                      | RED   | POLYETHYLENE |

